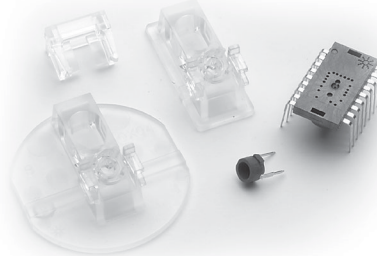


Agilent ADNB-6031 and ADNB-6032 Low Power Laser Mouse Bundles Datasheet



Description

The Agilent ADNB-6031 and ADNB-6032 low power laser mouse bundles are the world's first laser-illuminated system enabled for cordless application. Powered by Agilent **LaserStream** technology, the mouse can operate on many surfaces that proved difficult for traditional LED-based optical navigation. Its high-performance, low power architecture is capable of sensing high-speed mouse

motion while prolonging battery life, two performance areas essential in demanding cordless applications.

The ADNS-6030 sensor along with the ADNS-6120 or ADNS-6130-001 lens, ADNS-6230-001 clip and ADNV-6330 VCSEL form a complete and compact laser mouse tracking system. There are no moving part, which means high reliability and less maintenance for the

end user. In addition, precision optical alignment is not required, facilitating high volume assembly.

This document will begin with some general information and usage guidelines on the bundle set, followed by individual detailed information on ADNS-6030 laser mouse sensor, ADNV-6330 VCSEL, ADNS-6120 or ADNS-6130-001 lens and ADNS-6230-001 clip.

ADNB-6031 and ADNB-6032 Low Power Laser Mouse Bundles include:

Bundle Part Number	Part Number	Description
ADNB-6031	ADNS-6030	Low Power Laser Mouse Sensor
	ADNV-6330	Single-Mode Vertical-Cavity Surface Emitting Laser (VCSEL)
	ADNS-6120	Laser Mouse Round Lens
	ADNS-6230-001	Laser Mouse VCSEL Assembly Clip

Bundle Part Number	Part Number	Description
ADNB-6032	ADNS-6030	Low Power Laser Mouse Sensor
	ADNV-6330	Single-Mode Vertical-Cavity Surface Emitting Laser (VCSEL)
	ADNS-6130-001	Laser Mouse Trim Lens
	ADNS-6230-001	Laser Mouse VCSEL Assembly Clip



Overview of Laser Mouse Sensor Assembly

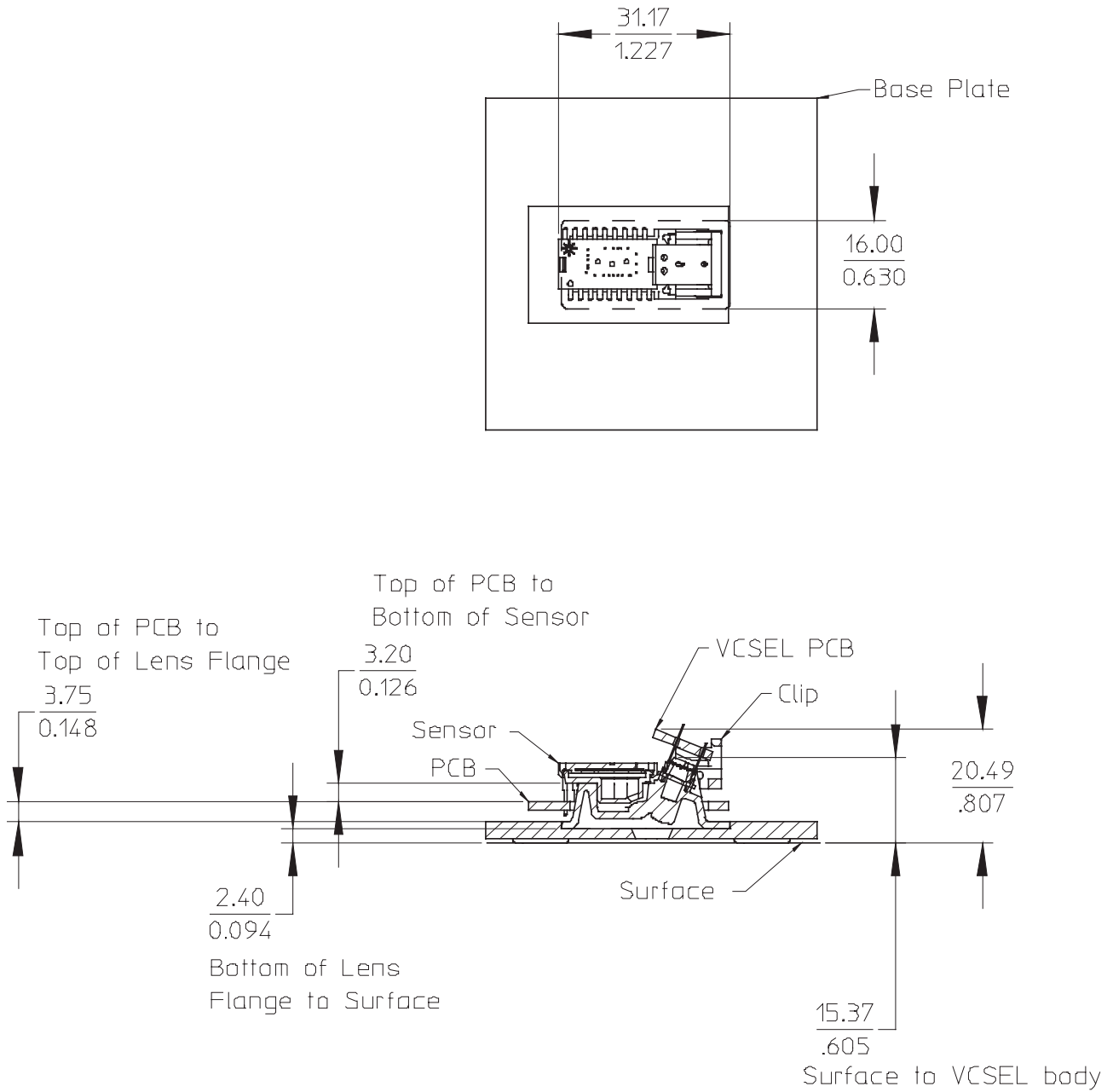
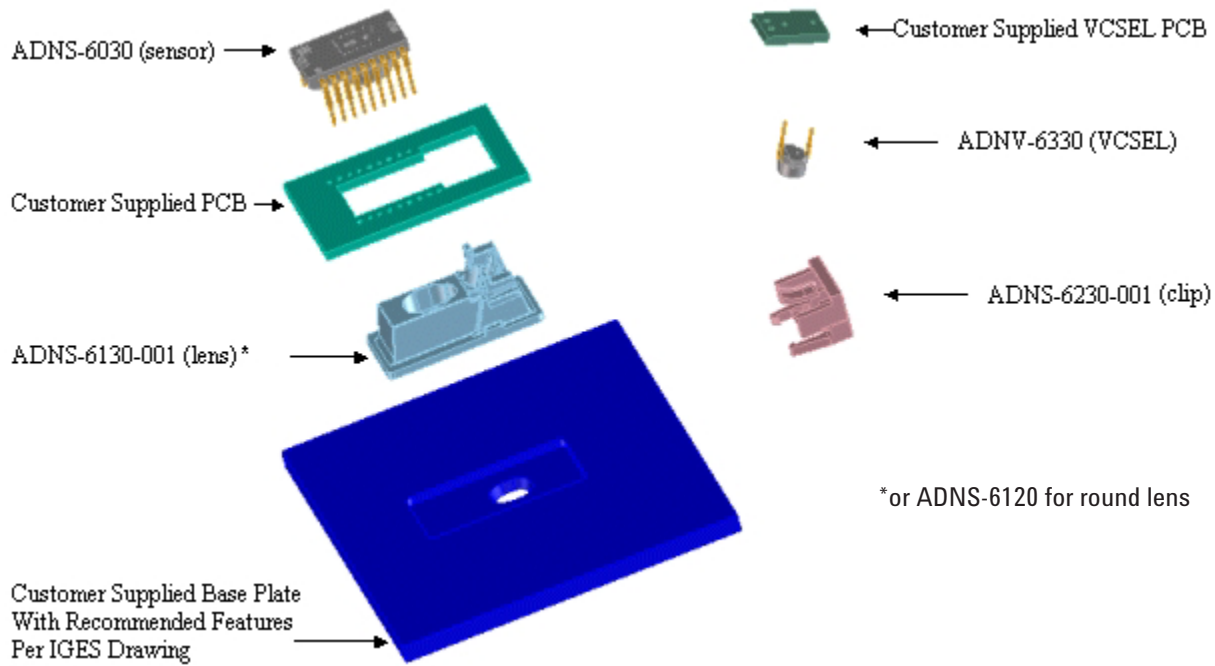


Figure 1. 2D Assembly drawing of ADNB-6032 (top and cross-sectional view)

2D Assembly Drawing of ADNB-6031/32, PCBs and Base Plate



*or ADNS-6120 for round lens

Figure 2. Exploded view drawing

Shown with ADNS-6130-001 Laser Mouse Lens, ADNS-6230-001 VCSEL Assembly Clip and ADNV-6330 VCSEL. The components interlock as they are mounted onto defined features on the base plate.

The ADNS-6030 laser mouse sensor is designed for mounting on a through hole PCB, looking down. There is an aperture stop and features on the package that align to the lens.

The ADNV-6330 VCSEL is recommended for illumination provides a laser diode with a single longitudinal and a single transverse mode. It is particularly suited as lower power consumption and highly coherent replacement of LEDs. It also provides wider operation range while still remaining within single-mode, reliable operating conditions.

The ADNS-6120 or ADNS-6130-001 Laser Mouse Lens is designed for use with ADNS-6030 sensor and the illumination subsystem provided by the assembly clip and the VCSEL. Together with the VCSEL, the lens provides the directed illumination and optical imaging necessary for proper operation of the Laser Mouse Sensor. ADNS-6120 and ADNS-6130-001 are precision molded optical components and should be handled with care to avoid scratching of the optical surfaces. ADNS-6120 also has a large round flange to provide a long creepage path for any ESD events that occur at the opening of the base plate.

The ADNS-6230-001 VCSEL Assembly Clip is designed to provide mechanical coupling of the ADNV-6330 VCSEL to the ADNS-6120 or ADNS-6130-001 lens. This coupling is essential to achieve the proper illumination alignment required for the sensor to operate on a wide variety of surfaces.

Agilent Technologies provides an IGES file drawing describing the base plate molding features for lens and PCB alignment.

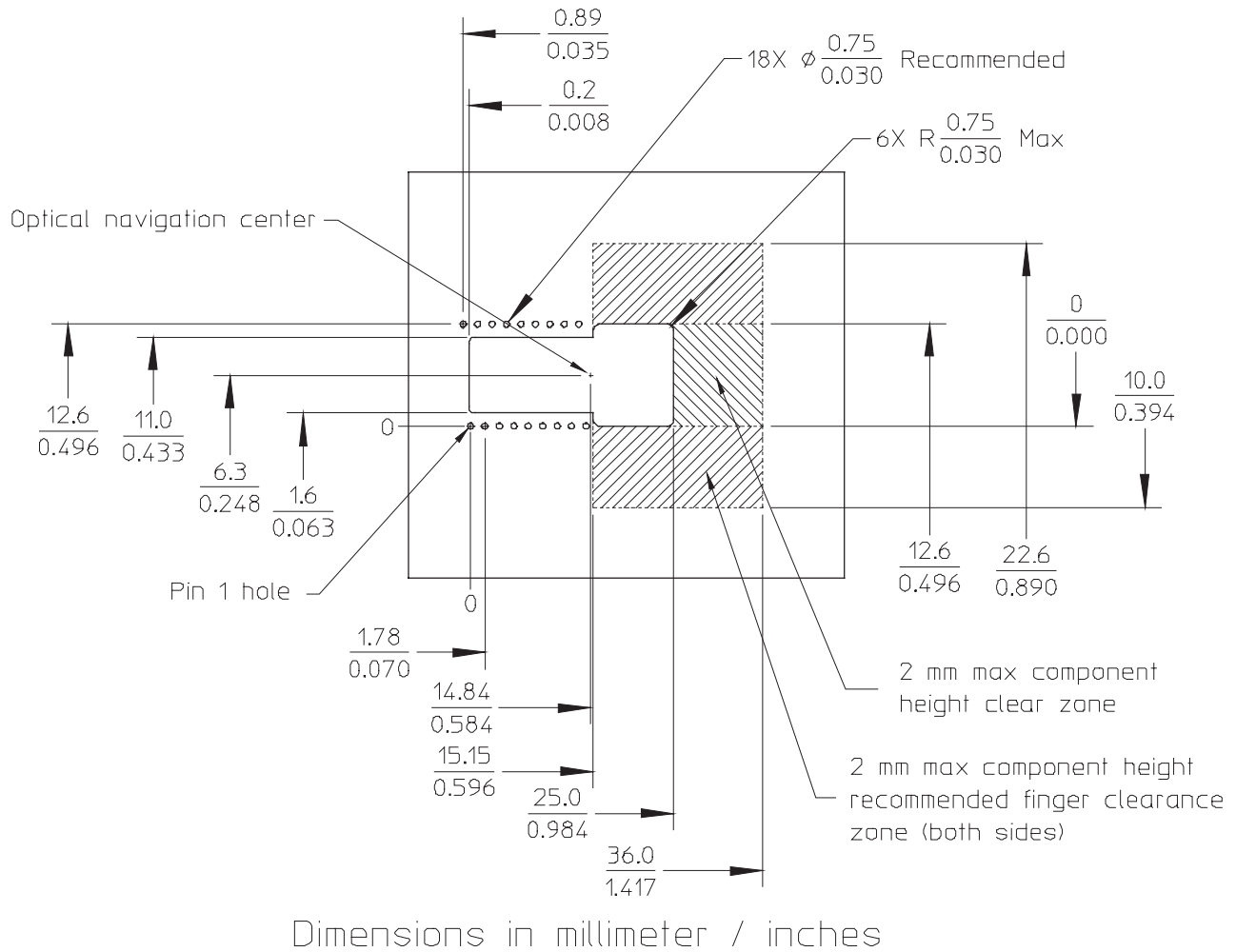


Figure 3. Recommended PCB mechanical cutouts and spacing

Assembly Recommendation

1. Insert the sensor and all other electrical components into the application PCB (main PCB board and VCSEL PCB board).
2. Wave-solder the entire assembly in a no-wash solder process utilizing a solder fixture. The solder fixture is needed to protect the sensor during the solder process. It also sets the correct sensor-to-PCB distance, as the lead shoulders do not normally rest on the PCB surface. The fixture should be designed to expose the sensor leads to solder while shielding the optical aperture from direct solder contact.
3. Place the lens onto the base plate.
4. Remove the protective kapton tape from the optical aperture of the sensor. Care must be taken to keep contaminants from entering the aperture.
5. Insert the PCB assembly over the lens onto the base plate. The sensor aperture ring should self-align to the lens. The optical position reference for the PCB is set by the base plate and lens. Note that the PCB motion due to button presses must be minimized to maintain optical alignment.
6. Remove the protective cap from the VCSEL.
7. Insert the VCSEL assembly into the lens.
8. Slide the clip in place until it latches. This locks the VCSEL and lens together.
9. Tune the laser output power from the VCSEL to meet the Eye Safe Class I Standard as detailed in the LASER Power Adjustment Procedure.
10. Install the mouse top case. There must be a feature in the top case (or other area) to press down onto the sensor to ensure the sensor and lens are interlocked to the correct vertical height.

Design considerations for improving ESD Performance

For improved electrostatic discharge performance, typical creepage and clearance distance are shown in the table below. Assumption: base plate construction as per the Agilent supplied IGES file and ADNS-6130-001 trim lens (or ADNS-6120 round lens).

Typical Distance	Millimeters
Creepage	12.0
Clearance	2.1

Note that the lens material is polycarbonate and therefore, cyanoacrylate based adhesives or other adhesives that may damage the lens should NOT be used.

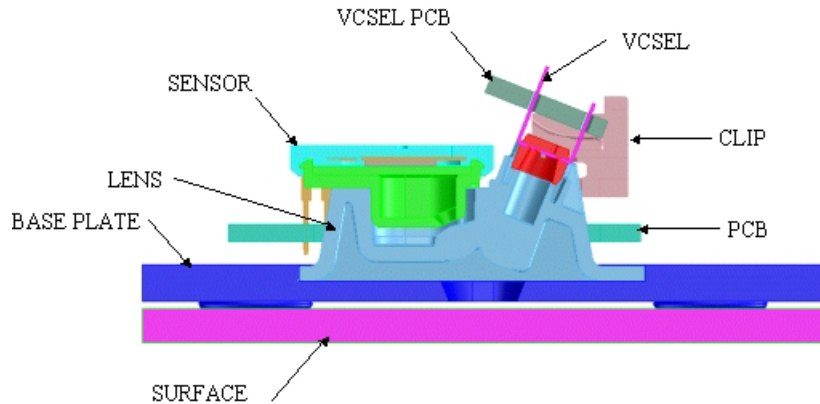


Figure 4. Sectional view of PCB assembly highlighting optical mouse components

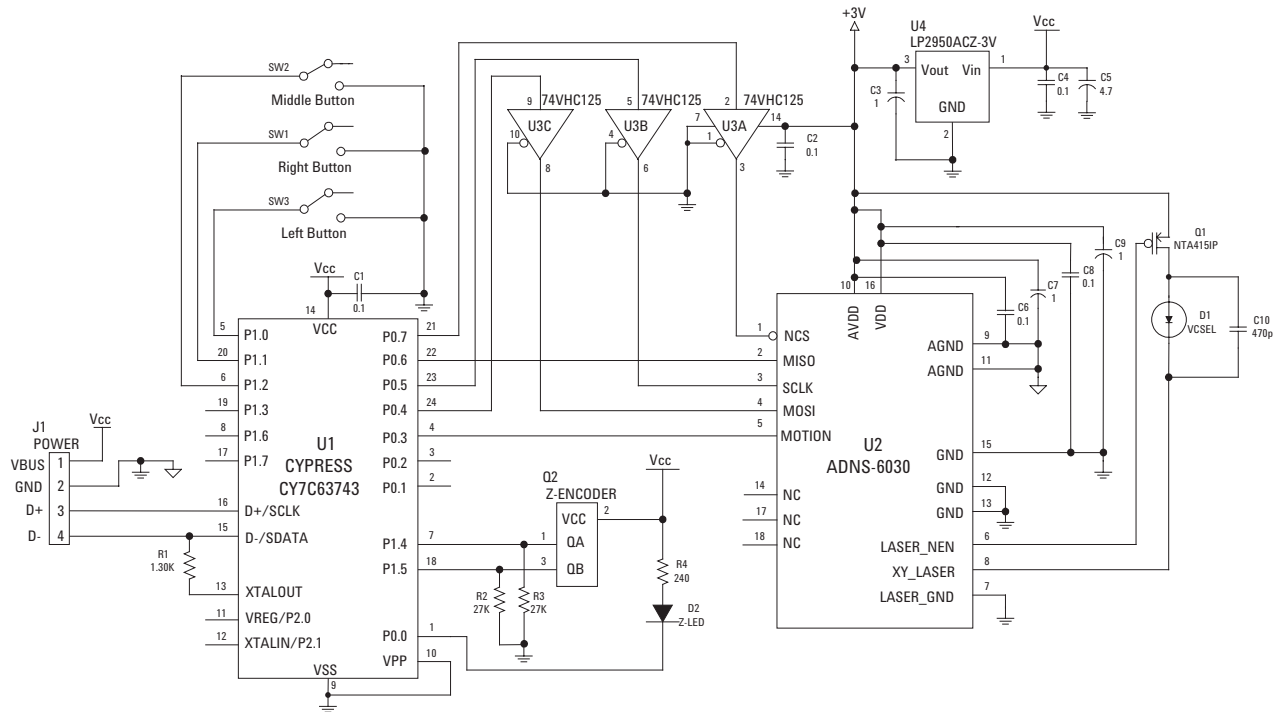


Figure 5a. Schematic Diagram for 3-Button Scroll Wheel Corded Mouse

Notes

1. The supply and ground paths should be laid out using a star methodology.
2. Level shifting is required to interface a 5V micro-controller to the ADNS-6030. If a 3V micro-controller is used, the 74VHC125 component shown may be omitted.

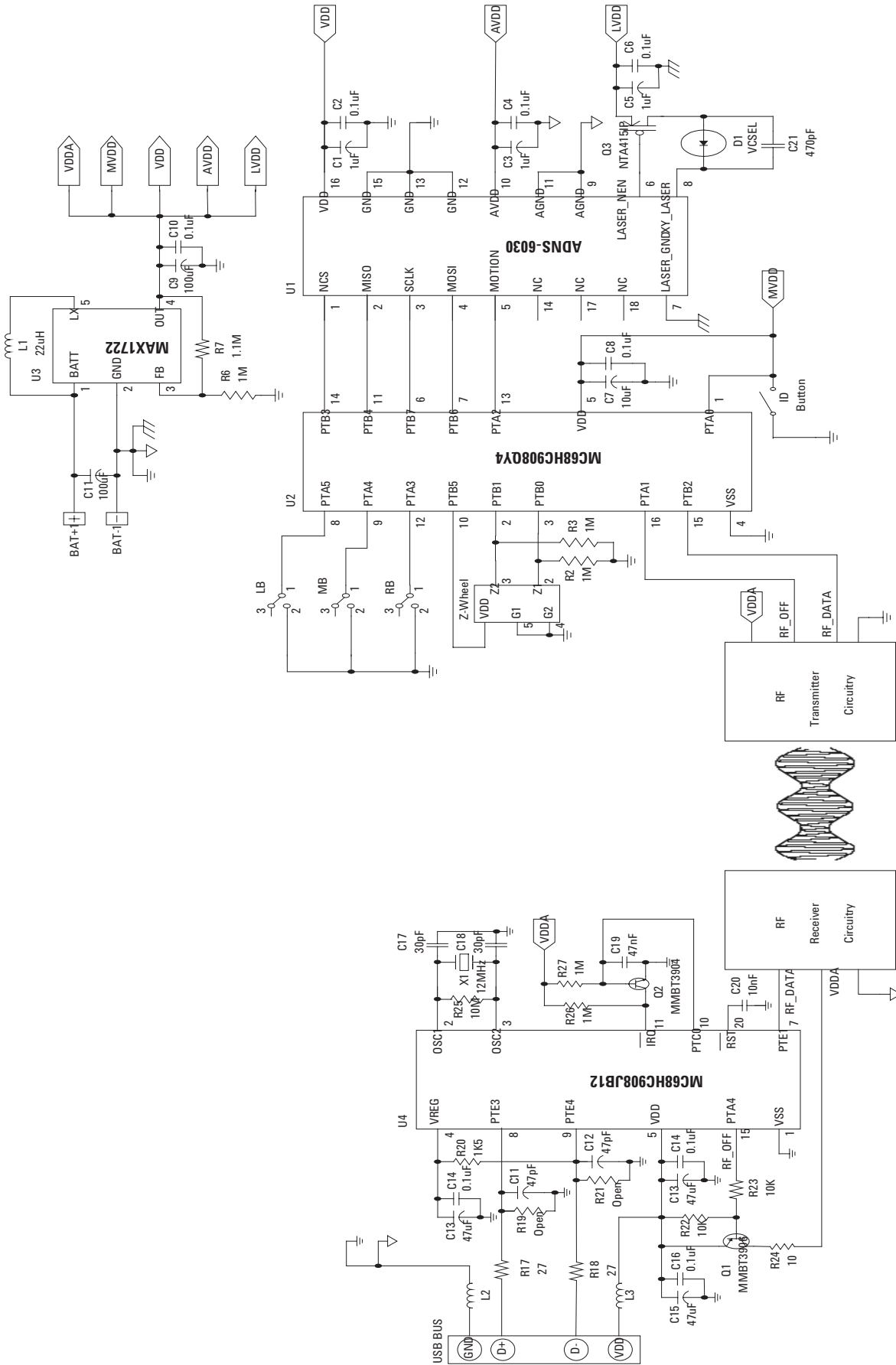


Figure 5b. Schematic Diagram for 3-Button Scroll Wheel Cordless Mouse

LASER Drive Mode

The laser is driven in pulsed mode during normal operation. A calibration mode is provided which drives the laser in continuous (CW) operation.

Eye Safety

The ADNS-6030 and the associated components in the schematic of Figure 5 are intended to comply with Class 1 Eye Safety Requirements of IEC 60825-1. Agilent Technologies suggests that manufacturers perform testing to verify eye safety on each mouse. It is also recommended to review possible single fault mechanisms beyond those described below in the section “Single Fault Detection”. Under normal conditions, the ADNS-6030 generates the drive current for the laser diode (ADNV-6330).

In order to stay below the Class 1 power requirements, LASER_CTRL0 (register 0x1a), LASER_CTRL1 (register 0x1f), LSRPWR_CFG0 (register 0x1c) and LSRPWR_CFG1 (register 0x1d) must be programmed to appropriate values. The system comprised of the ADNS-6030 and ADNV-6330, is designed to maintain the output beam power within Class 1 requirements over components manufacturing tolerances and the recommended temperature range when adjusted per the procedure below and implemented as shown in the recommended application circuit of Figure 5. For more information, please refer to Agilent ADNB-6031 and ADNB-6032 Laser Mouse Sensor Eye Safety Application Note AN 5230.

LASER Power Adjustment Procedure

1. The ambient temperature should be 25C +/- 5C.
2. Set V_{DD} to its permanent value.
3. Set the Range bit (bit 7 of register 0x1a) to 0.
4. Set the Range_C complement bit (bit 7 of register 0x1f) to 1.
5. Set the Match_bit (bit 5 of register 0x1a) to the correct value for the bin designation of the laser being used.
6. Set the Match_C_bit (bit 5 of register 0x1f) to the complement of the Match_bit.
7. Enable the Calibration mode by writing to bits [3,2,1] of register 0x1A so the laser will be driven with 100% duty cycle.
8. Write the Calibration mode complement bits to register 0x1f.
9. Set the laser current to the minimum value by writing 0x00 to register 0x1c, and the complementary value 0xFF to register 0x1d.
10. Program registers 0x1c and 0x1d with increasing values to achieve an output power as close to 506uW as possible without exceeding it. If this power is obtained, the calibration is complete, skip to step 14.

11. If it was not possible to achieve the power target, set the laser current to the minimum value by writing 0x00 to register 0x1c, and the complementary value 0xff to register 0x1d.
12. Set the Range and Range_C bits in registers 0x1a and 0x1f, respectively, to choose to the higher laser current range.
13. Program registers 0x1c and 0x1d with increasing values to achieve an output power as close to 506uW as possible without exceeding it.
14. Save the value of registers 0x1a, 0x1c, 0x1d, and 0x1f in non-volatile memory in the mouse. These registers must be restored to these values every time the ADNS-6030 is reset.
15. Reset the mouse, reload the register values from non-volatile memory, enable Calibration mode, and measure the laser power to verify that the calibration is correct.

Good engineering practices such as regular power meter calibration, random quality assurance retest of calibrated mice, etc. should be used to guarantee performance, reliability and safety for the product design.

LASER Output Power

The laser beam output power as measured at the navigation surface plane is specified below. The following conditions apply:

1. The system is adjusted according to the above procedure.
2. The system is operated within the recommended operating temperature range.
3. The V_{DD} value is no greater than 300mV above its value at the time of adjustment.
4. No allowance for optical power meter accuracy is assumed.

Disabling the LASER

LASER_NEN is connected to the gate of a P-channel MOSFET transistor which when ON connects V_{DD} to the LASER. In normal operation, LASER_NEN is low. In the case of a fault condition (ground or V_{DD} at XY_LASER), LASER_NEN goes high to turn the transistor off and disconnect V_{DD} from the LASER.

Single Fault Detection

ADNS-6030 is able to detect a short circuit or fault condition at the XY_LASER pin, which could lead to excessive laser power output. A path to ground on this pin will trigger the fault detection circuit,

which will turn off the laser drive current source and set the LASER_NEN output high. When used in combination with external components as shown in the block diagram below, the system will prevent excess laser power for a resistive path to ground at XY_LASER by shutting off the laser. In addition to the ground path fault detection described above, the fault detection circuit is continuously checked for proper operation by internally generating a path to ground with the laser turned off via LASER_NEN. If the XY_LASER pin is shorted to V_{DD} , this test will fail and will be reported as a fault.

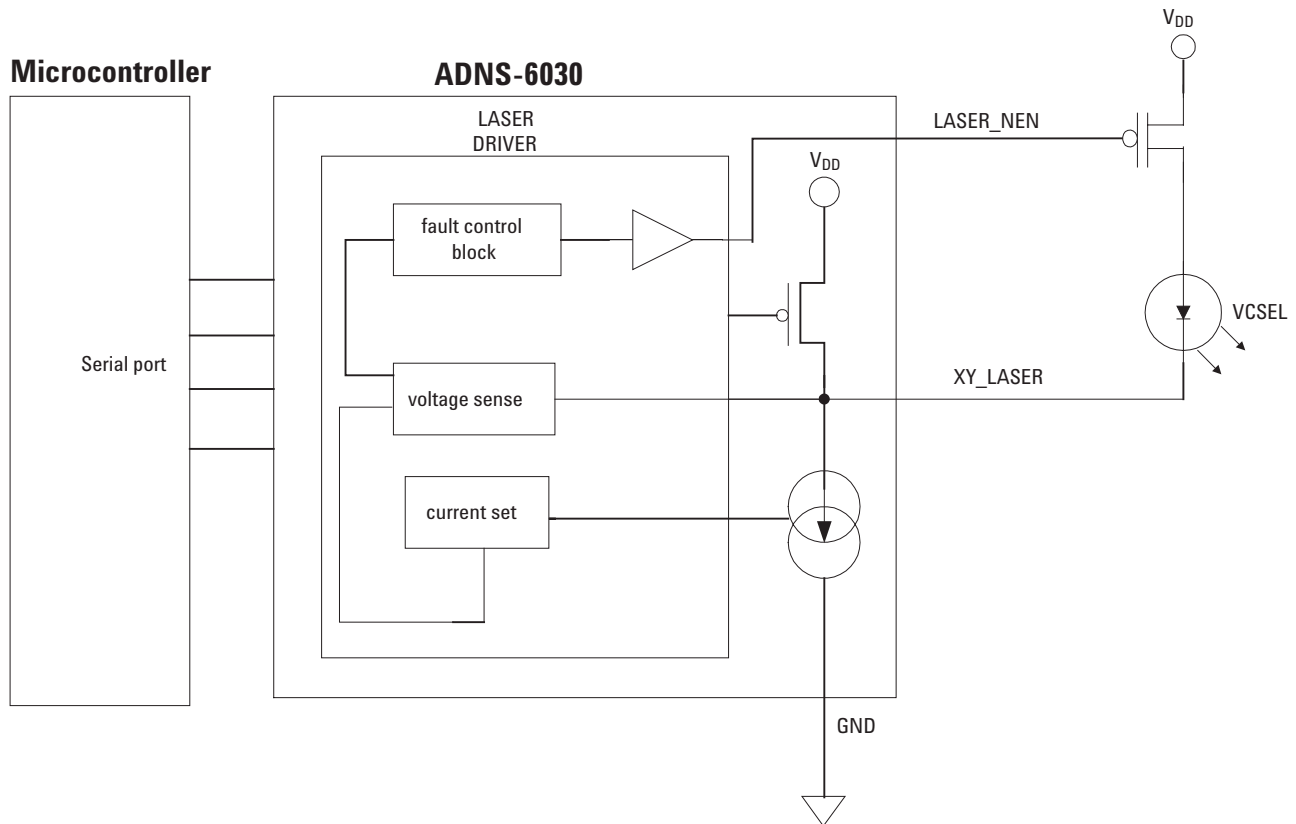


Figure 6. Single Fault Detection and Eye-safety Feature Block Diagram

Agilent ADNS-6030

Laser Mouse Sensor

Theory of Operation

The ADNS-6030 is based on **LaserStream** Technology, which measures changes in position by optically acquiring sequential surface images (frames) and mathematically determining the direction and magnitude of movement.

The ADNS-6030 contains an Image Acquisition System (IAS), a Digital Signal Processor (DSP), and a four wire serial port. The IAS acquires microscopic surface images via the lens and illumination system. These images are processed by the DSP to determine the direction

and distance of motion. The DSP calculates the Δx and Δy relative displacement values. An external microcontroller reads the Δx and Δy information from the sensor serial port. The microcontroller then translates the data into PS2, USB, or RF signals before sending them to the host PC or game console.

Applications

- Laser Mice
- Optical trackballs
- Integrated input devices
- Battery-powered input devices

Features

- Low power architecture
- New LaserStream technology
- Self-adjusting power-saving modes for longest battery life
- High speed motion detection up to 20 ips and 8G
- Enhanced *SmartSpeed* self-adjusting frame rate for optimum performance
- Motion detect pin output
- Internal oscillator – no clock input needed
- Selectable 400 and 800 cpi resolution
- Wide operating voltage: 2.7V-3.6V nominal
- Four wire serial port
- Minimal number of passive components
- Laser fault detect circuitry on-chip for Eye Safety Compliance

Pinout of ADNS-6030 Optical Mouse Sensor

Pin	Name	Description
1	NCS	Chip select (active low input)
2	MISO	Serial data output (Master In/Slave Out)
3	SCLK	Serial clock input
4	MOSI	Serial data input (Master Out/Slave In)
5	MOTION	Motion Detect (active low output)
6	LASER_NEN	LASER Enable (Active LOW)
7	GND	Ground
8	XY_LASER	LASER control
9	AGND	Analog Ground
10	AVDD	Analog Supply Voltage
11	AGND	Analog Ground
12	GND	Ground
13	GND	Ground
14	NC	No connection
15	GND	Ground
16	VDD	Supply Voltage
17	NC	No connection
18	NC	No connection

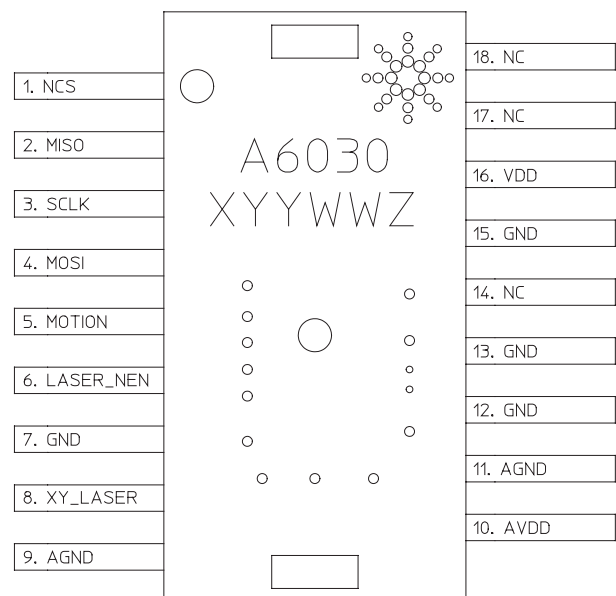
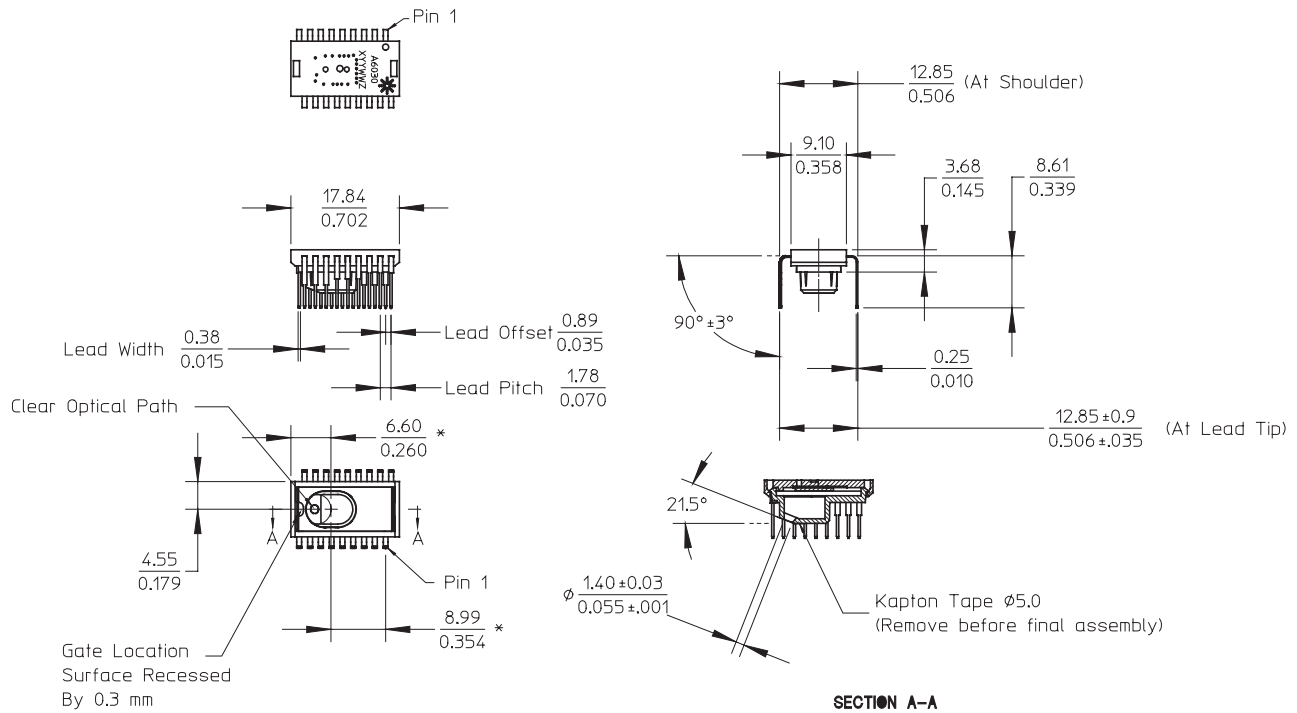


Figure 7. Package outline drawing (top view)



Notes:

1. Dimensions in millimeters (inches).
2. Dimensional tolerance: ±0.1 mm.
3. Coplanarity of lead: 0.1 mm.
4. Lead pitch tolerance: ±0.15 mm.
5. Cumulative pitch tolerance: ±0.15 mm.
6. Angular tolerance: ±3.0°.
7. Maximum flash: + 0.2 mm.
8. Chamfer (25° x 2) on the taper side of the lead.
9. * These dimensions are for references only and should not be used to mechanically reference the sensor.

Figure 8. Package outline drawing

CAUTION: It is advised that normal static precautions be taken in handling and assembly of this component to prevent damage and/or degradation which may be induced by ESD

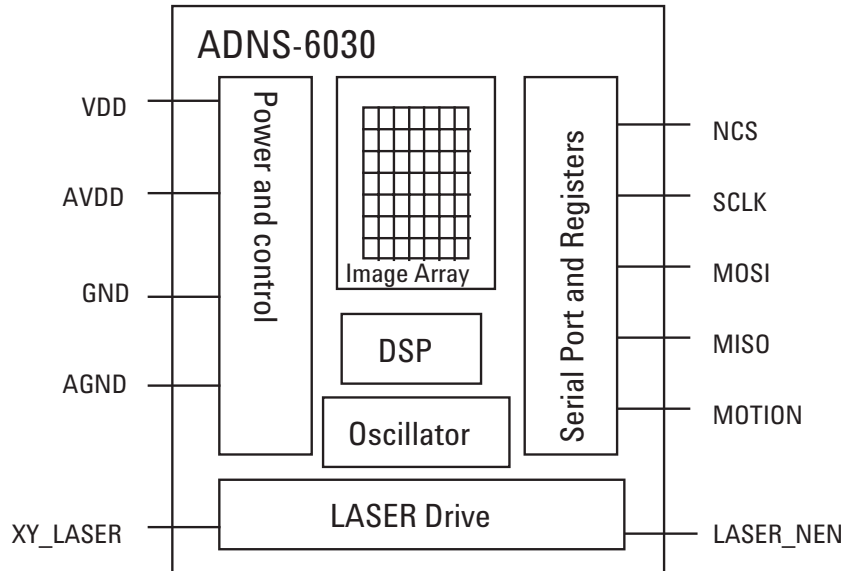


Figure 9. Block Diagram of ADNS-6030 optical module sensor

Regulatory Requirements

- Passes FCC B and worldwide analogous emission limits when assembled into a mouse with shielded cable and following Agilent recommendations.
- Passes IEC-1000-4-3 radiated susceptibility level when assembled into a mouse with shielded cable and following Agilent recommendations.
- Passes EN61000-4-4/IEC801-4 EFT tests when assembled into a mouse with shielded cable and following Agilent recommendations.
- UL flammability level UL94 V-0.
- Provides sufficient ESD creepage/clearance distance to avoid discharge up to 15kV when assembled into a mouse according to usage instructions above.

Absolute Maximum Ratings

Parameter	Symbol	Minimum	Maximum	Units	Notes
Storage Temperature	T_s	-40	85	°C	
Lead Solder Temp			260	°C	For 10 seconds, 1.6mm below seating plane.
Supply Voltage	V_{DD}	-0.5	3.7	V	
ESD			2	kV	All pins, human body model MIL 883 Method 3015
Input Voltage	V_{IN}	-0.5	$V_{DD}+0.5$	V	All Pins
Latchup Current	I_{out}		20	mA	All Pins

Recommended Operating Conditions

Parameter	Symbol	Minimum	Typical	Maximum	Units	Notes
Operating Temperature	T_A	0		40	°C	
Power supply voltage	V_{DD}	2.7	2.8	3.6	Volts	Including noise.
Power supply rise time	V_{RT}	1			μs	0 to 2.8V
Supply noise(Sinusoidal)	V_{NA}			100	mV p-p	10kHz-50MHz
Serial Port Clock Frequency	f_{SCLK}			1	MHz	Active drive, 50% duty cycle
Distance from lens reference plane to surface	Z	2.18	2.40	2.62	Mm	Results in +/- 0.2 mm minimum DOF. See Figure 10
Speed	S			20	in/sec	
Acceleration	A			8	G	
Load Capacitance	C_{out}			100	PF	MOTION, MISO
Voltage at XY_LASER	V_{xy_laser}	0.3		V_{DD}	V	

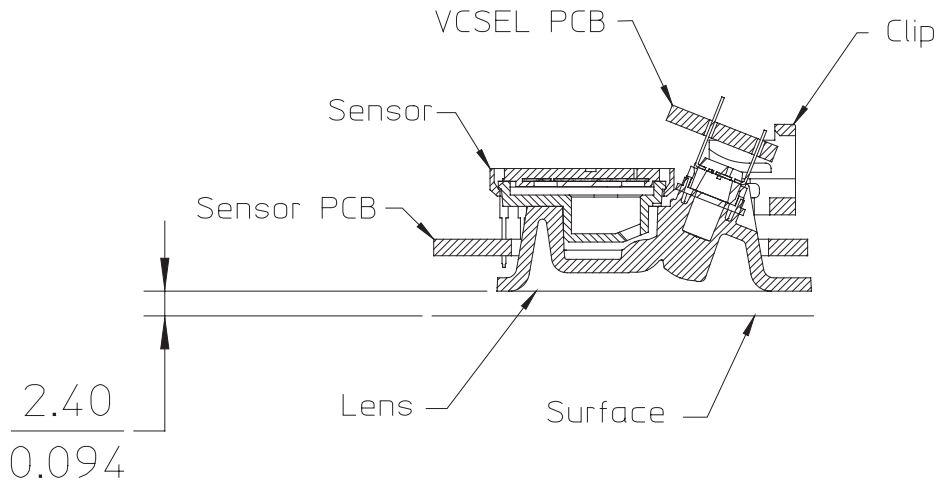


Figure 10. Distance from lens reference plane to surface, Z

AC Electrical SpecificationsElectrical Characteristics over recommended operating conditions. Typical values at 25 °C, V_{DD}=2.8V.

Parameter	Symbol	Minimum	Typical	Maximum	Units	Notes
Motion delay after reset	t _{MOT-RST}			23	ms	From SW_RESET register write to valid motion, assuming motion is present
Shutdown	t _{STDOWN}			50	ms	From Shutdown mode active to low current
Wake from shutdown	t _{WAKEUP}	23			ms	From Shutdown mode inactive to valid motion. Notes: A RESET must be asserted after a shutdown. Refer to section "Notes on Shutdown and Forced Rest", also note t _{MOT-RST}
Forced Rest enable	t _{REST-EN}			1	s	From RESTEN bits set to low current
Wake from Forced Rest	t _{REST-DIS}			1	s	From RESTEN bits cleared to valid motion
MISO rise time	t _{r-MISO}		150	300	ns	C _L = 100pF
MISO fall time	t _{f-MISO}		150	300	ns	C _L = 100pF
MISO delay after SCLK	t _{DLY-MISO}			120	ns	From SCLK falling edge to MISO data valid, no load conditions
MISO hold time	t _{hold-MISO}	0.5		1/f _{SCLK}	us	Data held until next falling SCLK edge
MOSI hold time	t _{hold-MOSI}	200			ns	Amount of time data is valid after SCLK rising edge
MOSI setup time	t _{setup-MOSI}	120			ns	From data valid to SCLK rising edge
SPI time between write commands	t _{SWW}	30			μs	From rising SCLK for last bit of the first data byte, to rising SCLK for last bit of the second data byte.
SPI time between write and read commands	t _{SWR}	20			μs	From rising SCLK for last bit of the first data byte, to rising SCLK for last bit of the second address byte.
SPI time between read and subsequent commands	t _{SRW} t _{SRR}	500			ns	From rising SCLK for last bit of the first data byte, to falling SCLK for the first bit of the address byte of the next command.
SPI read address-data delay	t _{SRAD}	4			μs	From rising SCLK for last bit of the address byte, to falling SCLK for first bit of data being read.
NCS inactive after motion burst	t _{BEXIT}	500			ns	Minimum NCS inactive time after motion burst before next SPI usage
NCS to SCLK active	t _{NCS-SCLK}	120			ns	From NCS falling edge to first SCLK rising edge
SCLK to NCS inactive (for read operation)	t _{SCLK-NCS}	120			ns	From last SCLK rising edge to NCS rising edge, for valid MISO data transfer
SCLK to NCS inactive (for write operation)	t _{SCLK-NCS}	20			μs	From last SCLK rising edge to NCS rising edge, for valid MOSI data transfer
NCS to MISO high-Z	t _{NCS-MISO}			500	ns	From NCS rising edge to MISO high-Z state
MOTION rise time	t _{r-MOTION}		150	300	ns	C _L = 100pF
MOTION fall time	t _{f-MOTION}		150	300	ns	C _L = 100pF
Transient Supply Current	I _{DDT}			30	mA	Max supply current during a V _{DD} ramp from 0 to 2.8V

DC Electrical SpecificationsElectrical Characteristics over recommended operating conditions. Typical values at 25 °C, $V_{DD}=2.8$ V.

Parameter	Symbol	Minimum	Typical	Maximum	Units	Notes
DC Supply Current in various modes	I_{DD_RUN}		4.0	10	mA	Average current, including LASER current. No load on MISO, MOTION.
	I_{DD_REST1}		0.5	1.8		
	I_{DD_REST2}		0.15	0.40		
	I_{DD_REST3}		0.05	0.15		
Peak Supply Current				40	mA	Peak current, including LASER current. No load on MISO, MOTION.
Shutdown Supply Current	I_{DD_STDOWN}		1	12	μ A	NCS, SCLK = VDD MOSI = GND MISO = Hi-Z
Input Low Voltage	V_{IL}			0.5	V	SCLK, MOSI, NCS
Input High Voltage	V_{IH}	$V_{DD} - 0.5$			V	SCLK, MOSI, NCS
Input hysteresis	V_{I_HYS}		100		mV	SCLK, MOSI, NCS
Input leakage current	I_{leak}		± 1	± 10	μ A	$V_{in}=V_{DD}-0.6V$, SCLK, MOSI, NCS
XY_LASER Current	I_{LAS}		0.8		mA	$V_{xy_laser} \geq 0.3$ V LP_CFG0 = 0xFF LP_CFG1 = 0x00
LASER Current (fault mode)	I_{LAS_FAULT}			300	μ A	XY_LASER $R_{leakage} < 75k\Omega$ to GND
Output Low Voltage, MISO, LASER_NEN	V_{OL}			0.7	V	$I_{out}=1mA$, MISO, MOTION $I_{out}= 1mA$, LASER_NEN
Output High Voltage, MISO, LASER_NEN	V_{OH}	$V_{DD} - 0.7$			V	$I_{out}=-1mA$, MISO, MOTION $I_{out}= -0.5mA$, LASER_NEN
Input Capacitance	C_{in}			10	pF	MOSI, NCS, SCLK

Typical Performance Characteristics

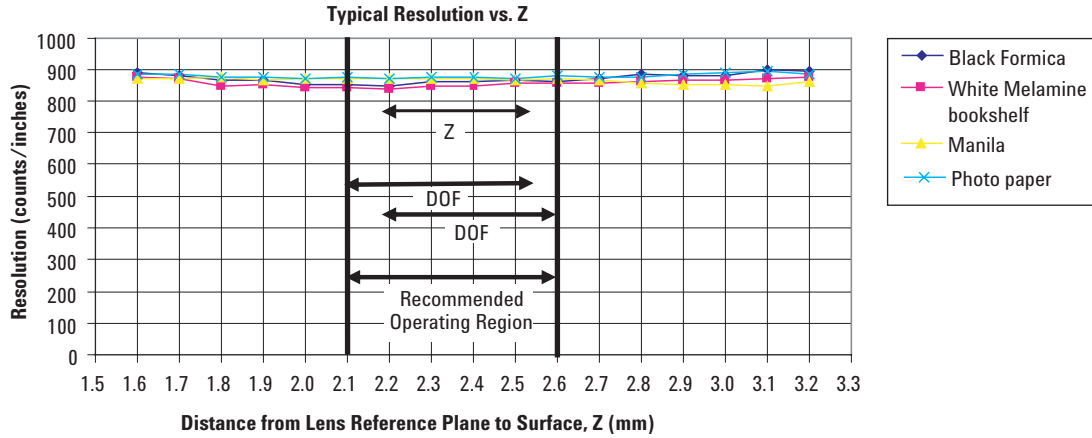


Figure 11. Mean Resolution vs. Z at 800dpi

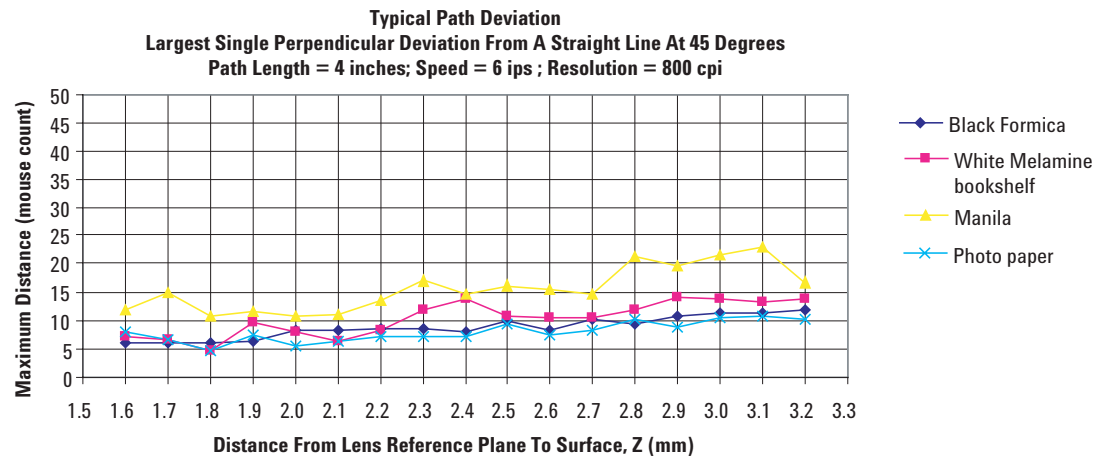


Figure 12. Average Error vs. Distance at 800dpi (mm)

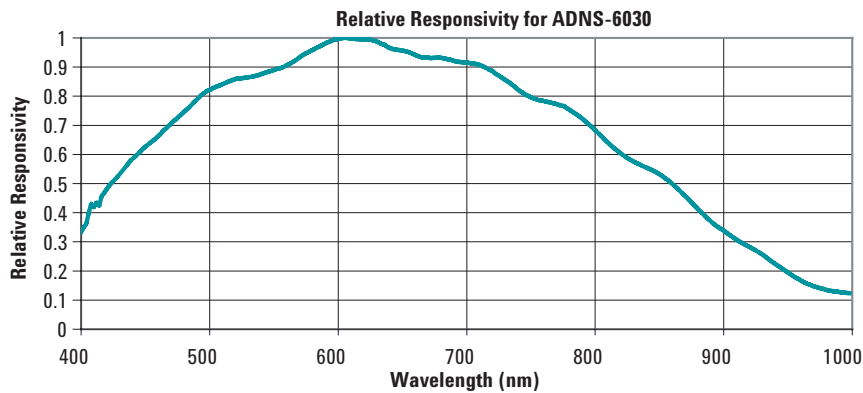


Figure 13. Wavelength Responsivity

Power management modes

The ADNS-6030 has three power-saving modes. Each mode has a different motion detection period, affecting response time to mouse motion (Response Time). The sensor automatically changes to the appropriate mode, depending on the time since the last reported motion (Downshift Time). The parameters of each mode are shown in the following table.

Mode	Response Time (nominal)	Downshift Time (nominal)
Rest 1	33ms	237ms
Rest 2	164ms	8.4s
Rest 3	840ms	504s

Motion Pin Timing

The motion pin is a level-sensitive output that signals the micro-controller when motion has occurred. The motion pin is lowered whenever the motion bit is set; in other words, whenever there is data in the Delta_X or Delta_Y registers. Clearing the motion bit (by reading Delta_X and Delta_Y, or writing to the Motion register) will put the motion pin high.

LASER Mode

For power savings, the VCSEL will not be continuously on. ADNS-6030 will flash the VCSEL only when needed.

Synchronous Serial Port

The synchronous serial port is used to set and read parameters in the ADNS-6030, and to read out the motion information.

The port is a four-wire port. The host micro-controller always initiates communication; the ADNS-6030 never initiates data transfers. SCLK, MOSI, and NCS may be driven directly by a micro-controller. The port pins may be shared with other SPI slave devices. When the NCS pin is high, the inputs are ignored and the output is tri-stated.

The lines that comprise the SPI port:

SCLK: Clock input. It is always generated by the master (the micro-controller).

MOSI: Input data. (Master Out/Slave In)

MISO: Output data. (Master In/Slave Out)

NCS: Chip select input (active low). NCS needs to be low to activate the serial port; otherwise, MISO will be high Z, and MOSI & SCLK will be ignored. NCS can also be used to reset the serial port in case of an error.

Chip Select Operation

The serial port is activated after NCS goes low. If NCS is raised during a transaction, the entire transaction is aborted and the serial port will be reset. This is true for all transactions. After a transaction is aborted, the normal address-to-data or transaction-to-transaction delay is still required before beginning the next transaction. To improve communication reliability, all serial transactions should be framed by NCS. In other words, the port should not remain enabled during periods of non-use because ESD and EFT/B events could be interpreted as serial communication and put the chip into an unknown state. In addition, NCS must be raised after each burst-mode transaction is complete to terminate burst-mode. The port is not available for further use until burst-mode is terminated.

Write Operation

Write operation, defined as data going from the micro-controller to the ADNS-6030, is always initiated by the micro-controller and consists of two bytes. The first byte contains the address (seven bits) and has a "1" as its MSB to indicate data direction. The second byte contains the data. The ADNS-6030 reads MOSI on rising edges of SCLK.

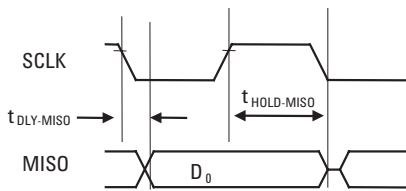


Figure 14. MISO Delay and Hold Time

Read Operation

A read operation, defined as data going from the ADNS-6030 to the micro-controller, is always initiated by the micro-controller and consists of two bytes. The first byte contains the address, is sent by the micro-controller over MOSI, and has a "0" as its MSB to indicate data direction. The second byte contains the data and is driven by the ADNS-6030 over MISO. The sensor outputs MISO bits on falling edges of SCLK and samples MOSI bits on every rising edge of SCLK.

Note: The $0.5/f_{SCLK}$ minimums high state of SCLK is also the minimum MISO data hold time of the ADNS-6030. Since the falling edge of SCLK is actually the start of the next read or write command, the ADNS-6030 will hold the state of data on MISO until the falling edge of SCLK.

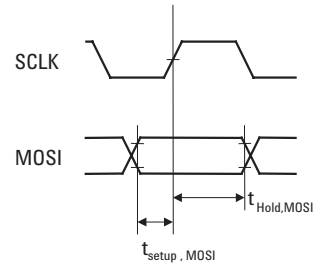


Figure 15. MOSI Setup and Hold Time

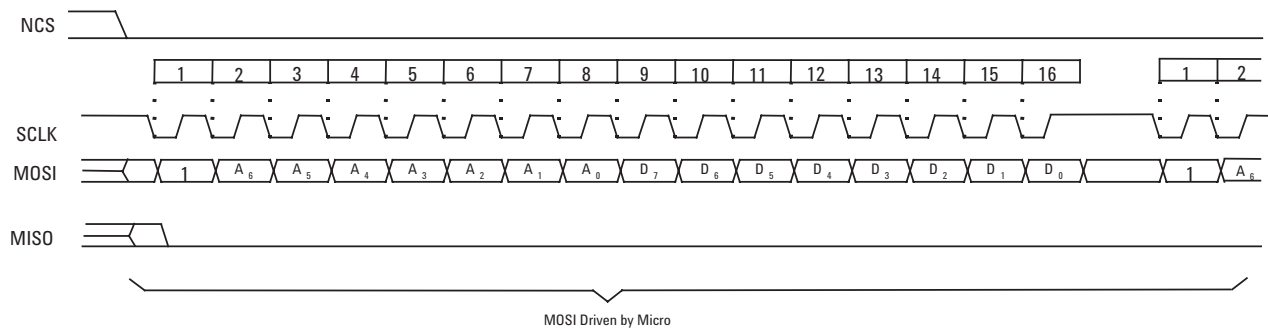


Figure 16. Write Operation

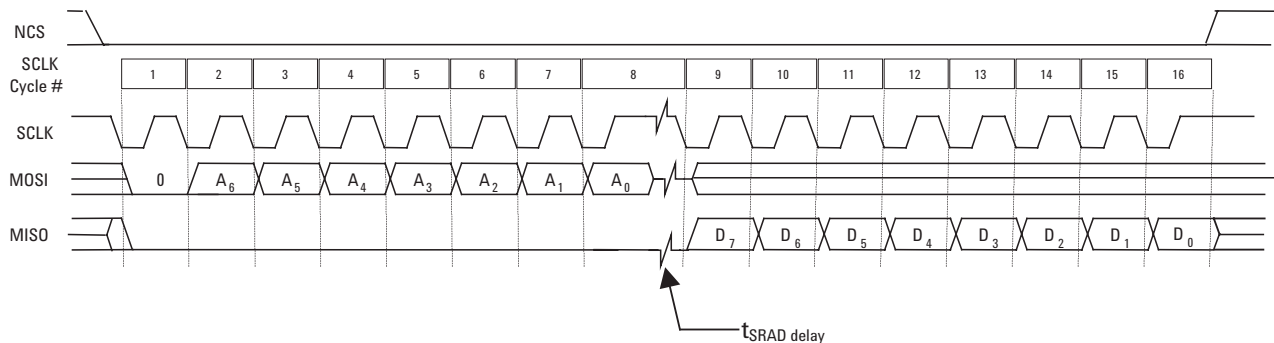


Figure 17. Read Operation

Required timing between Read and Write Commands

There are minimum timing requirements between read and write commands on the serial port.

If the rising edge of the SCLK for the last data bit of the second write command occurs before the required delay (t_{SWW}), then the first write command may not complete correctly.

If the rising edge of SCLK for the last address bit of the read command occurs before the required delay (t_{SWR}), the write command may not complete correctly.

During a read operation SCLK should be delayed at least t_{SRAD} after the last address data bit to ensure that the ADNS-6030 has time to prepare the requested data.

The falling edge of SCLK for the first address bit of either the read or write command must be at least t_{SRR} or t_{SRW} after the last SCLK rising edge of the last data bit of the previous read operation.

Burst Mode Operation

Burst mode is a special serial port operation mode that may be used to reduce the serial transaction time for a motion read. The speed improvement is achieved by continuous data clocking to or from multiple registers without the need to specify the register address, and by not requiring the normal delay period between data bytes.

Burst mode is activated by reading the Motion_Burst register. The ADNS-6030 will respond with the contents of the Motion, Delta_X, Delta_Y,

SQUAL, Shutter_Upper, Shutter_Lower and Maximum_Pixel registers in that order. The burst transaction can be terminated anywhere in the sequence after the Delta_X value by bringing the NCS pin high. After sending the register address, the micro-controller must wait t_{SRAD} and then begin reading data. All data bits can be read with no delay between bytes by driving SCLK at the normal rate. The data are latched into the output buffer after the last address bit is received. After the burst transmission is complete, the micro-controller must raise the NCS line for at least t_{BEXIT} to terminate burst mode. The serial port is not available for use until it is reset with NCS, even for a second burst transmission.

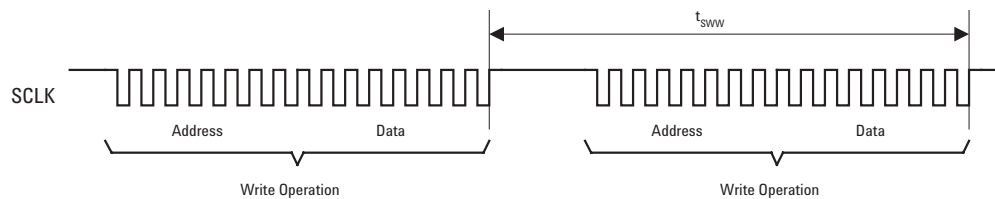


Figure 18. Timing between two write commands

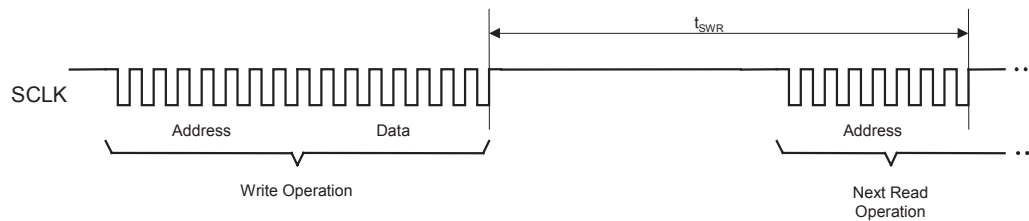


Figure 19. Timing between write and read commands

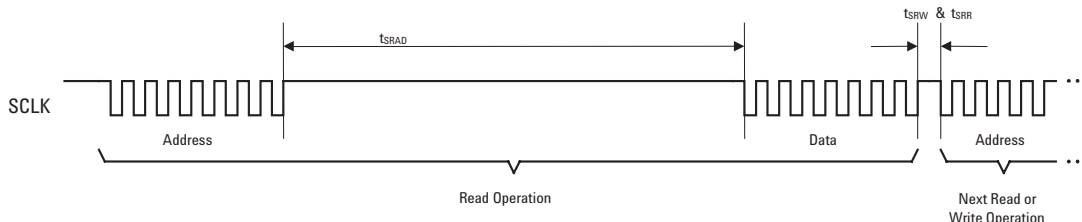


Figure 20. Timing between read and either write or subsequent read commands

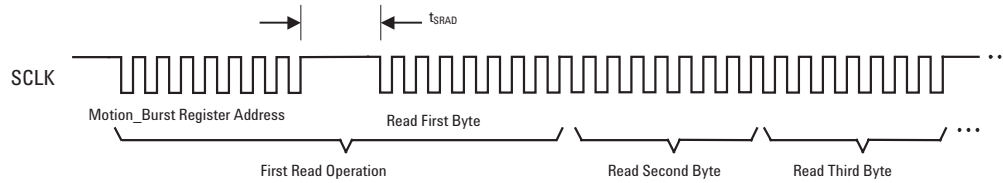


Figure 21. Motion Burst Timing

Notes on Power-up

The ADNS-6030 does not perform an internal power up self-reset; the POWER_UP_RESET register must be written every time power is applied. The appropriate sequence is as follows:

1. Apply power
2. Drive NCS high, then low to reset the SPI port
3. Write 0x5a to register 0x3a
4. Wait for t_{WAKEUP}
5. Write 0xFE to register 0x28
6. Read from registers 0x02, 0x03 and 0x04 (or read these same 3 bytes from burst motion register 0x42) one time regardless of the motion pin state.

During power-up there will be a period of time after the power supply is high but before any clocks are available. The table below shows the state of the various pins during power-up and reset.

Notes on Shutdown and Forced Rest

The ADNS-6030 can be set in Rest mode through the Configuration_Bits register (0x11). This is to allow for further power savings in applications where the sensor does not need to operate all the time.

The ADNS-6030 can be set in Shutdown mode by writing 0xe7 to register 0x3b. The SPI port should not be accessed when Shutdown mode is asserted, except the power-up command (writing 0x5a to register 0x3a). (Other ICs on the same SPI bus can be accessed, as long as the sensor's NCS pin is not asserted.) The table below shows the state of various pins during shutdown. To deassert Shutdown mode:

1. Write 0x5a to register 0x3a
2. Wait for t_{WAKEUP}
3. Write 0xFE to register 0x28
4. Any register settings must then be reloaded.

*1 NCS pin must be held to 1 (high) if SPI bus is shared with other devices. It is recommended to hold to 1 (high) during Power Down unless powering up the Sensor. It must be held to 0 (low) if the sensor is to be re-powered up from shutdown (writing 0x5a to register 0x3a).

*2 Depend on last state

*3 SCLK is ignore if NCS is 1 (high). It is functional if NCS is 0 (low).

*4 MOSI is ignore if NCS is 1 (high). If NCS is 0 (low), any command present on the MOSI pin will be ignored except power-up command (writing 0x5a to register 0x3a).

Note: There are long wakeup times from shutdown and forced Rest. These features should not be used for power management during normal mouse motion.

Registers

The ADNS-6030 registers are accessible via the serial port. The registers are used to read motion data and status as well as to set the device configuration.

Address	Register	Read/Write	Default Value
0x00	Product_ID	R	0x20
0x01	Revision_ID	R	0x02
0x02	Motion	R/W	0x00
0x03	Delta_X	R	0x00
0x04	Delta_Y	R	0x00
0x05	SQUAL	R	0x00
0x06	Shutter_Upper	R	0x00
0x07	Shutter_Lower	R	0x64
0x08	Maximum_Pixel	R	0xd0
0x09	Pixel_Sum	R	0x80
0x0a	Minimum_Pixel	R	0x00
0x0b	Pixel_Grab	R/W	0x00
0x0c	CRC0	R	0x00
0x0d	CRC1	R	0x00
0x0e	CRC2	R	Undefined
0x0f	CRC3	R	Undefined
0x10	Self_Test	W	NA
0x11	Configuration_Bits	R/W	0x03
0x12 - 0x19	Reserved		
0x1a	LASER_CTRL0	R/W	0x00
0x1b	Reserved		
0x1c	LSRPWR_CFG0	R/W	0x00
0x1d	LSRPWR_CFG1	R/W	0x00
0x1e	Reserved		
0x1f	LASER_CTRL1	R/W	0x01
0x20 - 0x2d	Reserved		
0x2e	Observation	R/W	Undefined
0x2f - 0x39	Reserved		
0x3a	POWER_UP_RESET	W	NA
0x3b	Shutdown	W	NA
0x3c - 0x3d	Reserved		
0x3e	Inverse_Revision_ID	R	0xfd
0x3f	Inverse_Product_ID	R	0xdf
0x42	Motion_Burst	R	0x00

Product_ID

Address: 0x00

Access: Read

Reset Value: 0x20

Bit	7	6	5	4	3	2	1	0
Field	PID ₇	PID ₆	PID ₅	PID ₄	PID ₃	PID ₂	PID ₁	PID ₀

Data Type : 8-Bit unsigned integer

USAGE: This register contains a unique identification assigned to the ADNS-6030. The value in this register does not change; it can be used to verify that the serial communications link is functional.

Revision_ID

Address: 0x01

Access: Read

Reset Value: 0x02

Bit	7	6	5	4	3	2	1	0
Field	RID ₇	RID ₆	RID ₅	RID ₄	RID ₃	RID ₂	RID ₁	RID ₀

Data Type : 8-Bit unsigned integer

USAGE: This register contains the IC revision. It is subject to change when new IC versions are released.

Motion Address: 0x02
 Access: Read/Write Reset Value: 0x00

Bit	7	6	5	4	3	2	1	0
Field	MOT	PIXRDY	PIXFIRST	OVF	LP_VALID	FAULT	Reserved	Reserved

Data Type : Bit field.

USAGE: Register 0x02 allows the user to determine if motion has occurred since the last time it was read. If the MOT bit is set, then the user should read registers 0x03 and 0x04 to get the accumulated motion. Read this register before reading the Delta_X and Delta_Y registers.

Writing anything to this register clears the MOT and OVF bits, Delta_X and Delta_Y registers. The written data byte is not saved.

Internal buffers can accumulate more than eight bits of motion for X or Y. If either one of the internal buffers overflows, then absolute path data is lost and the OVF bit is set. To clear the overflow, write anything to this register.

Check the OVR bit if more than 4" of motion is accumulated without reading it. If bit set, discard the motion as erroneous. Write anything to this register to clear the overflow condition.

The PIXRDY bit will be set whenever a valid pixel data byte is available in the Pixel_Dump register. Check that this bit is set before reading from Pixel_Dump. To ensure that the Pixel_Grab pointer has been reset to pixel 0,0 on the initial write to Pixel_Grab, check to see if PIXFIRST is set to high.

Field Name	Description
MOT	Motion since last report 0 = No motion 1 = Motion occurred, data ready for reading in Delta_X and Delta_Y registers
PIXRDY	Pixel Pump data byte is available in Pixel_Dump register 0 = data not available 1 = data available
PIXFIRST	This bit is set when the Pixel_Grab register is written to or when a complete pixel array has been read, initiating an increment to pixel 0,0. 0 = Pixel_Grab data not from pixel 0,0. 1 = Pixel_Grab data is from pixel 0,0.
OVF	Motion overflow, ΔY and/or ΔX buffer has overflowed since last report 0 = no overflow 1 = Overflow has occurred
LP_VALID	Laser Power Settings 0 = register 0x1a and register 0x1f or register 0x1c and register 0x1d do not have complementary values 1 = laser power is valid
FAULT	Indicates that XY_LASER is shorted to GND or VDD 0 = no fault detected 1 = fault detected

NOTE: Agilent recommends that registers 0x02, 0x03 and 0x04 be read sequentially.

Delta_X

Address: 0x03

Access: Read

Reset Value: 0x00

Bit	7	6	5	4	3	2	1	0
Field	X ₇	X ₆	X ₅	X ₄	X ₃	X ₂	X ₁	X ₀

Data Type : Eight bit 2's complement number.

USAGE : X movement is counts since last report. Absolute value is determined by resolution.
Reading clears the register.



NOTE: Agilent recommends that registers 0x02, 0x03 and 0x04 be read sequentially.

Delta_Y

Address: 0x04

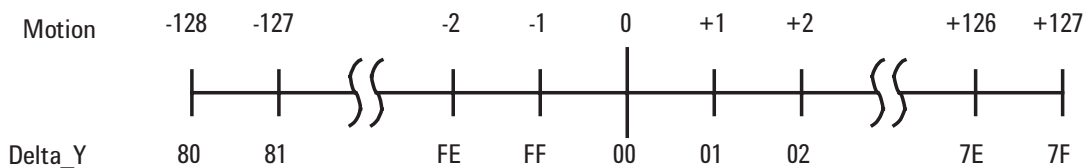
Access: Read

Reset Value: 0x00

Bit	7	6	5	4	3	2	1	0
Field	Y ₇	Y ₆	Y ₅	Y ₄	Y ₃	Y ₂	Y ₁	Y ₀

Data Type : Eight bit 2's complement number.

USAGE: Y movement is counts since last report. Absolute value is determined by resolution.
Reading clears the register.



NOTE: Agilent recommends that registers 0x02, 0x03 and 0x04 be read sequentially.

SQUAL Address: 0x05
 Access: Read Reset Value: 0x00

Bit	7	6	5	4	3	2	1	0
Field	SQ ₇	SQ ₆	SQ ₅	SQ ₄	SQ ₃	SQ ₂	SQ ₁	SQ ₀

Data Type : Upper 8 bits of a 9-bit unsigned integer.

USAGE: SQUAL (Surface Quality) is a measure of the number of valid features visible by the sensor in the current frame.

The maximum SQUAL register value is 127. Since small changes in the current frame can result in changes in SQUAL, variations in SQUAL when looking at a surface are expected. The graph below shows 800 sequentially acquired SQUAL values, while a sensor was moved slowly over white paper. SQUAL is nearly equal to zero, if there is no surface below the sensor. SQUAL is typically maximized when the navigation surface is at the optimum distance from the imaging lens (the nominal Z-height).

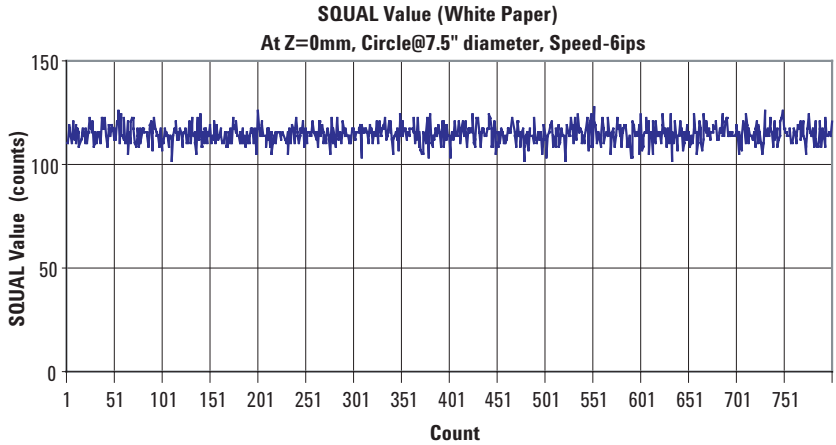


Figure 22. SQUAL Values at 800dpi (White Paper)

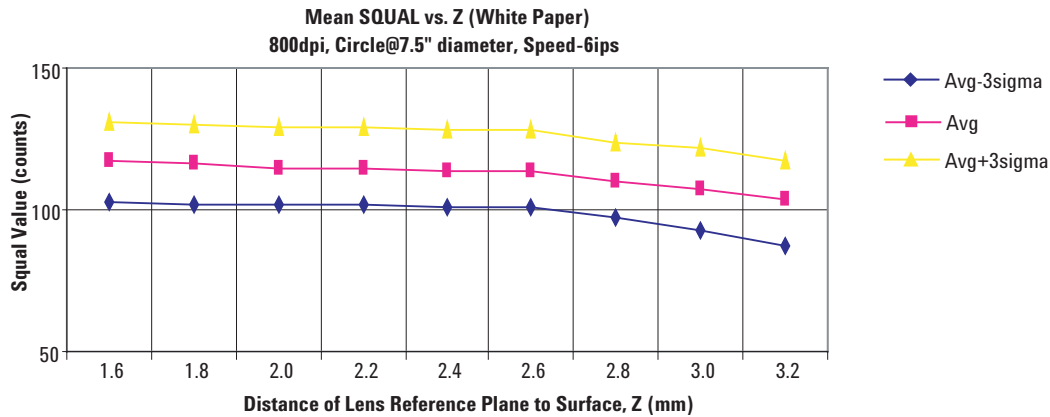


Figure 23. Mean SQUAL vs. Z (White Paper)

Shutter_Upper Address: 0x06
 Access: Read Reset Value: 0x00

Bit	7	6	5	4	3	2	1	0
Field	S ₁₅	S ₁₄	S ₁₃	S ₁₂	S ₁₁	S ₁₀	S ₉	S ₈

Shutter_Lower Address: 0x07
 Access: Read Reset Value: 0x64

Bit	7	6	5	4	3	2	1	0
Field	S ₇	S ₆	S ₅	S ₄	S ₃	S ₂	S ₁	S ₀

Data Type : Sixteen bit unsigned integer.

USAGE: Units are clock cycles. Read Shutter_Upper first, then Shutter_Lower. They should be read consecutively. The shutter is adjusted to keep the average and maximum pixel values within normal operating ranges. The shutter value is automatically adjusted.

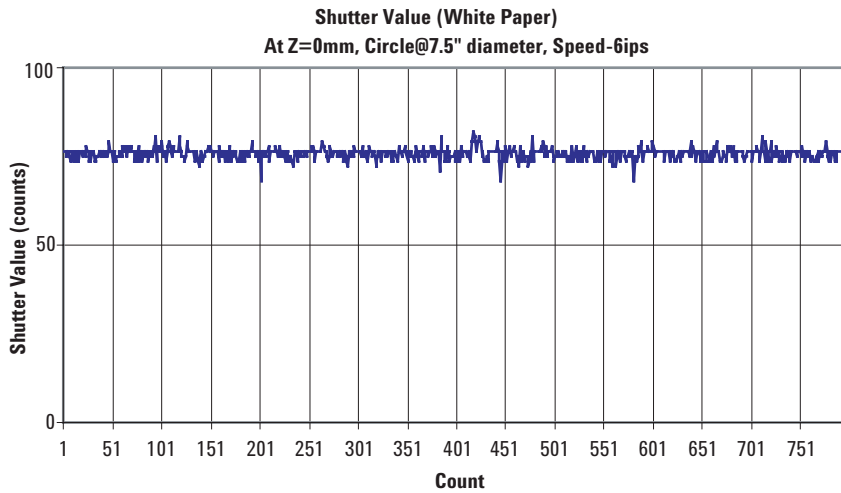


Figure 24. Shutter Values at 800dpi (White Paper)

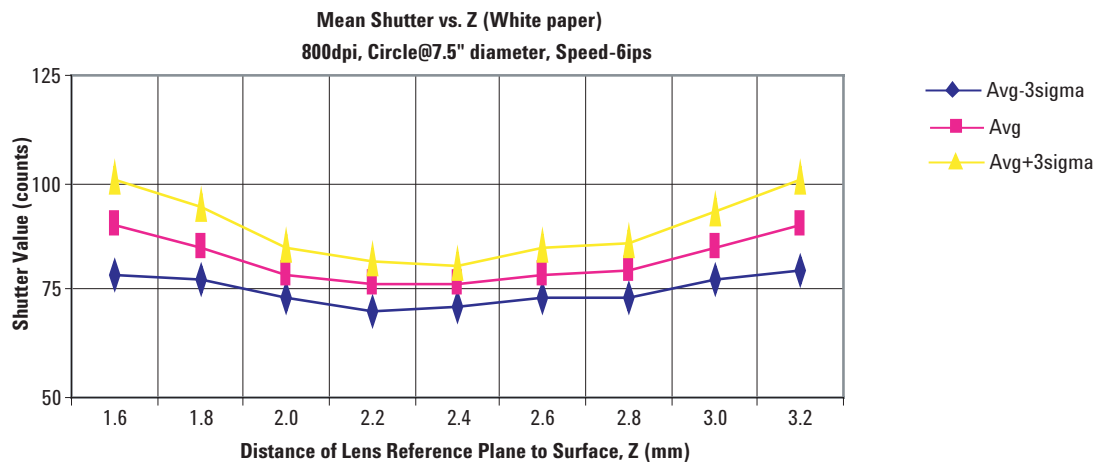


Figure 25. Mean Shutter vs. Z (White Paper)

Maximum_Pixel

Address: 0x08

Access: Read

Reset Value: 0xd0

Bit	7	6	5	4	3	2	1	0
Field	MP ₇	MP ₆	MP ₅	MP ₄	MP ₃	MP ₂	MP ₁	MP ₀

Data Type : Eight-bit number.

USAGE: Maximum Pixel value in current frame. Minimum value = 0, maximum value = 254. The maximum pixel value can vary with every frame.

Pixel_Sum

Address: 0x09

Access: Read

Reset Value: 0x80

Bit	7	6	5	4	3	2	1	0
Field	AP ₇	AP ₆	AP ₅	AP ₄	AP ₃	AP ₂	AP ₁	AP ₀

Data Type : High 8 bits of an unsigned 17-bit integer.

USAGE : This register is used to find the average pixel value. It reports the upper eight bits of a 17-bit counter, which sums all pixels in the current frame. It may be described as the full sum divided by 512. To find the average pixel value, use the following formula:

$$\text{Average Pixel} = \text{Register Value} * 512/484 = \text{Register Value} * 1.058$$

The maximum register value is 241. The minimum is 0. The pixel sum value can change on every frame.

Minimum_Pixel

Address: 0x0a

Access: Read

Reset Value: 0x00

Bit	7	6	5	4	3	2	1	0
Field	MP ₇	MP ₆	MP ₅	MP ₄	MP ₃	MP ₂	MP ₁	MP ₀

Data Type : Eight-bit number.

USAGE: Minimum Pixel value in current frame. Minimum value = 0, maximum value = 254. The minimum pixel value can vary with every frame.

Pixel_Grab Address: 0x0b
 Access: Read/Write Reset Value: 0x00

Bit	7	6	5	4	3	2	1	0
Field	PD ₇	PD ₆	PD ₅	PD ₄	PD ₃	PD ₂	PD ₁	PD ₀

Data Type : Eight-bit word.

USAGE: For test purposes, the sensor will read out the contents of the pixel array, one pixel per frame. To start a pixel grab, write anything to this register to reset the pointer to pixel 0,0. Then read the PIXRDY bit in the Motion register. When the PIXRDY bit is set, there is valid data in this register to read out. After the data in this register is read, the pointer will automatically increment to the next pixel. Reading may continue indefinitely; once a complete frame's worth of pixels has been read, PIXFIRST will be set to high to indicate the start of the first pixel and the address pointer will start at the beginning location again.

First Pixel

0	22	44	66	88	110	132	154	176	198	220	242	264	286	308	330	352	374	396	418	440	462
1	23	45	67	89	111	133	155	177	199	221	243	265	287	309	331	353	375	397	419	441	463
2	24	46	68	90	112	134	156	178	200	222	244	266	288	310	332	354	376	398	420	442	464
3	25	47	69	91	113	135	157	179	201	223	245	267	289	311	333	355	377	399	421	443	465
4	26	48	70	92	114	136	158	180	202	224	246	268	290	312	334	356	378	400	422	444	466
5	27	49	71	93	115	137	159	181	203	225	247	269	291	313	335	357	379	401	423	445	467
6	28	50	72	94	116	138	160	182	204	226	248	270	292	314	336	358	380	402	424	446	468
7	29	51	73	95	117	139	161	183	205	227	249	271	293	315	337	359	381	403	425	447	469
8	30	52	74	96	118	140	162	184	206	228	250	272	294	316	338	360	382	404	426	448	470
9	31	53	75	97	119	141	163	185	207	229	251	273	295	317	339	361	383	405	427	449	471
10	32	54	76	98	120	142	164	186	208	230	252	274	296	318	340	362	384	406	428	450	472
11	33	55	77	99	121	143	165	187	209	231	253	275	297	319	341	363	385	407	429	451	473
12	34	56	78	100	122	144	166	188	210	232	254	276	298	320	342	364	386	408	430	452	474
13	35	57	79	101	123	145	167	189	211	233	255	277	299	321	343	365	387	409	431	453	475
14	36	58	80	102	124	146	168	190	212	234	256	278	300	322	344	366	388	410	432	454	476
15	37	59	81	103	125	147	169	191	213	235	257	279	301	323	345	367	389	411	433	455	477
16	38	60	82	104	126	148	170	192	214	236	258	280	302	324	346	368	390	412	434	456	478
17	39	61	83	105	127	149	171	193	215	237	259	281	303	325	347	369	391	413	435	457	479
18	40	62	84	106	128	150	172	194	216	238	260	282	304	326	348	370	392	414	436	458	480
19	41	63	85	107	129	151	173	195	217	239	261	283	305	327	349	371	393	415	437	459	481
20	42	64	86	108	130	152	174	196	218	240	262	284	306	328	350	372	394	416	438	460	482
21	43	65	87	109	131	153	175	197	219	241	263	285	307	329	351	373	395	417	439	461	483

Last Pixel

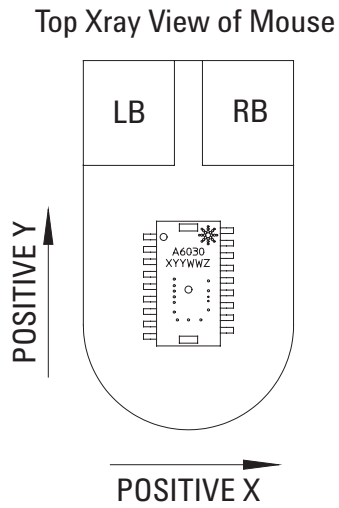


Figure 26. Pixel Address Map (Looking through the ADNS-6130-001 or ADNS-6120 Lens)

CRC0 Address: 0x0c
Access: Read Reset Value: 0x00

Bit	7	6	5	4	3	2	1	0
Field	CRC0 ₇	CRC0 ₆	CRC0 ₅	CRC0 ₄	CRC0 ₃	CRC0 ₂	CRC0 ₁	CRC0 ₀

Data Type : Eight-bit number

USAGE: Register 0x0c reports the first byte of the system self test results. Value = 05.

CRC1 Address: 0x0d
Access: Read Reset Value: 0x00

Bit	7	6	5	4	3	2	1	0
Field	CRC1 ₇	CRC1 ₆	CRC1 ₅	CRC1 ₄	CRC1 ₃	CRC1 ₂	CRC1 ₁	CRC1 ₀

Data Type : Eight bit number

USAGE: Register 0x0c reports the second byte of the system self test results. Value = 9A.

CRC2 Address: 0x0e
Access: Read Reset Value: 0x00

Bit	7	6	5	4	3	2	1	0
Field	CRC2 ₇	CRC2 ₆	CRC2 ₅	CRC2 ₄	CRC2 ₃	CRC2 ₂	CRC2 ₁	CRC2 ₀

Data Type : Eight-bit number

USAGE: Register 0x0e reports the third byte of the system self test results. Value = CA.

CRC3 Address: 0x0f
Access: Read Reset Value: 0x00

Bit	7	6	5	4	3	2	1	0
Field	CRC3 ₇	CRC3 ₆	CRC3 ₅	CRC3 ₄	CRC3 ₃	CRC3 ₂	CRC3 ₁	CRC3 ₀

Data Type : Eight-bit number

USAGE: Register 0x0f reports the fourth byte of the system self test results. Value = 0B.

Self_Test

Address: 0x10

Access: Write

Reset Value: NA

Bit	7	6	5	4	3	2	1	0
Field	Reserved	Reserved	Reserved	Reserved	Reserved	Reserved	Reserved	TESTEN

Data Type : Bit field

USAGE: Set the TESTEN bit in register 0x10 to start the system self-test. The test takes 250ms. During this time, do not write or read through the SPI port. Results are available in the CRC0-3 registers. After self-test, reset the chip to start normal operation.

Field Name	Description
TESTEN	Enable System Self Test 0 = Disabled 1 = Enable

Configuration_bits

Address: 0x11

Access: Read/Write

Reset Value: 0x03

Bit	7	6	5	4	3	2	1	0
Field	RES	Reserved	RESTEN ₁	RESTEN ₀	Reserved	Reserved	Reserved	Reserved

Data Type : Bit field

USAGE: Register 0x11 allows the user to change the configuration of the sensor. Setting the RESTEN₁₋₀ bits forces the sensor into Rest mode, as described in the power modes section above. The RES bit allows selection between 400 and 800 cpi resolution.

Note: Forced Rest has a long wakeup time and should not be used for power management during normal mouse motion.

Field Name	Description
RESTEN _{1,0}	Puts chip into Rest mode 00 = normal operation 01 = force Rest1 11 = force Rest3
RES	Sets resolution 0 = 400 1 = 800

Reserved

Address: 0x12-0x19

LASER_CTRL0

Address: 0x1a

Access: Read/Write

Reset Value: 0x00

Bit	7	6	5	4	3	2	1	0
Field	Range	Reserved	Match_bit	Reserved	CAL ₂	CAL ₁	CAL ₀	Force_Disable

Data Type : Bit field

USAGE: This register is used to control the laser drive. Bits 5 and 7 require complement values in register 0x1F. If the registers do not contain complementary values for these bits, the laser is turned off and the LP_VALID bit in the MOTION register is set to 0. The registers may be written in any order after the power ON reset.

Field Name	Description						
Range	Rbin Settings 0 = Laser current range from approximately 2mA to 7mA 1 = Laser current range from approximately 5mA to 13mA						
Match_bit	Match the sensor to the laser characteristics. Set per the bin table specification for the laser in use based on the bin letter.						
	<table border="1"> <thead> <tr> <th>VCSEL Bin Numer</th> <th>Match_bit</th> </tr> </thead> <tbody> <tr> <td>2A</td> <td>0</td> </tr> <tr> <td>3A</td> <td>0</td> </tr> </tbody> </table>	VCSEL Bin Numer	Match_bit	2A	0	3A	0
VCSEL Bin Numer	Match_bit						
2A	0						
3A	0						
CAL _{2:0}	Laser calibration mode - Write 101b to bits [3,2,1] to set the laser to continuous ON (CW) mode. - Write 000b to exit laser calibration mode, all other valuwes are not recommended. Reading the Motion register (0x03 or 0x42) will reset the value to 000b and exit calibration mode.						
Force_Disable	LASER force disabled 0 = LASER_NEN functions as normal 1 = LASER_NEN output is high						

Reserved Address: 0x1b

LSRPWR_CFG0

Address: 0x1c

Access: Read and Write

Reset Value: 0x00

Bit	7	6	5	4	3	2	1	0
Field	LP ₇	LP ₆	LP ₅	LP ₄	LP ₃	LP ₂	LP ₁	LP ₀

Data Type : 8 Bit unsigned

USAGE: This register is used to set the laser current. It is to be used together with register 0x1D, where register 0x1D contains the complement of register 0x1C. If the registers do not contain complementary values, the laser is turned off and the LP_VALID bit in the MOTION register is set to 0. The registers may be written in any order after the power ON reset.

Field Name Description

LP₇LP₀ Controls the 8-bit DAC for adjusting laser current.
One step is equivalent to $(1/384)*100\% = 0.26\%$ drop of relative laser current.
Refer to the table below for examples of relative laser current settings.

LP ₇ - LP ₃	LP ₂	LP ₁	LP ₀	Relative Laser Current
00000	0	0	0	33.59%
00000	0	0	1	33.85%
00000	0	1	0	34.11%
::	:	:	:	::
11111	1	0	1	99.48%
11111	1	1	0	99.74%
11111	1	1	1	100%

LSRPWR_CFG1

Address: 0x1d

Access: Read and Write

Reset Value: 0x00

Bit	7	6	5	4	3	2	1	0
Field	LPC ₇	LPC ₆	LPC ₅	LPC ₄	LPC ₃	LPC ₂	LPC ₁	LPC ₀

Data Type : 8 Bit unsigned

USAGE: The value in this register must be a complement of register 0x1C for laser current to be as programmed, otherwise the laser is turned off and the LP_VALID bit in the MOTION register is set to 0. Registers 0x1C and 0x1D may be written in any order after power ON reset.

Reserved

Address: 0x1e

LASER_CTRL1

Address: 0x1f

Access: Read and Write

Reset Value: 0x01

Bit	7	6	5	4	3	2	1	0
Field	Range_C	Reserved	Match_bit_C	Reserved	Reserved	Reserved	Reserved	Reserved

Data Type : 8 Bit unsigned

USAGE: Bits 5 and 7 of this register must be the complement of the corresponding bits in register 0x1A for the VCSEL control to be as programmed, otherwise the laser turned is off and the LP_VALID bit in the MOTION register is set to 0. Registers 0x1A and 0x1F may be written in any order after power ON reset.

Reserved

Address: 0x20-0x2d

Observation

Address: 0x2e

Access: Read/Write

Reset Value: 0x00

Bit	7	6	5	4	3	2	1	0
Field	MODE ₁	MODE ₀	Reserved	OBS ₄	OBS ₃	OBS ₂	OBS ₁	OBS ₀

Data Type : Bit field

USAGE: Register 0x2e provides bits that are set every frame. It can be used during EFT/B testing to check that the chip is running correctly. Writing anything to this register will clear the bits.

Field Name	Description
MODE _{1:0}	Mode Status: Reports which mode the sender is in 00 = Run 01 = Rest 1 10 = Rest 2 11 = Rest 3
OBS _{4:0}	Set every frame

Reserved**Address: 0x2f-0x39**

POWER_UP_RESET

Address: 0x3a

Access: Write

Reset Value: NA

Bit	7	6	5	4	3	2	1	0
Field	RST ₇	RST ₆	RST ₅	RST ₄	RST ₃	RST ₂	RST ₁	RST ₀

Data Type : 8-bit integer

USAGE: Write 0x5a to this register to reset the chip. All settings will revert to default values. Reset is required after recovering from shutdown mode.

SHUTDOWN

Address: 0x3b

Access: Write Only

Reset Value: NA

Bit	7	6	5	4	3	2	1	0
Field	SD ₇	SD ₆	SD ₅	SD ₄	SD ₃	SD ₂	SD ₁	SD ₀

Data Type : 8-bit integer

USAGE: Write 0xe7 to set the chip to shutdown mode, use POWER_UP_RESET register (address 0x3b) to power up the chip.

Reserved

Address: 0x3c-0x3d

Inverse_Revision_ID

Address: 0x3e

Access: Read

Reset Value: 0xfd

Bit	7	6	5	4	3	2	1	0
Field	NRID ₇	NRID ₆	NRID ₅	NRID ₄	NRID ₃	NRID ₂	NRID ₁	NRID ₀

Data Type : Inverse 8-Bit unsigned integer

USAGE: This value is the inverse of the Revision_ID. It can be used to test the SPI port.

Inverse_Product_ID

Address: 0x3f

Access: Read

Reset Value: 0xdf

Bit	7	6	5	4	3	2	1	0
Field	NPID ₇	NPID ₆	NPID ₅	NPID ₄	NPID ₃	NPID ₂	NPID ₁	NPID ₀

Data Type : Inverse 8-Bit unsigned integer

USAGE: This value is the inverse of the Product_ID. It can be used to test the SPI port.

Motion_Burst

Address: 0x42

Access: Read

Reset Value: 0x00

Bit	7	6	5	4	3	2	1	0
Field	MB ₇	MB ₆	MB ₅	MB ₄	MB ₃	MB ₂	MB ₁	MB ₀

Data Type : Various.

USAGE: Read from this register to activate burst mode. The sensor will return the data in the Motion register, Delta_X, Delta_Y, Squal, Shutter_Upper, Shutter_Lower, and Maximum_Pixel. Reading the first 3 bytes clears the motion data. The read may be terminated anytime after Delta_Y is read.

Agilent ADNV-6330

Single-Mode Vertical-Cavity Surface Emitting Laser (VCSEL)

Description

This advanced class of VCSELs was engineered by Agilent to provide a laser diode with a single longitudinal and a single transverse mode. In contrast to most oxide-based single-mode VCSELs, this class of Agilent VCSELs remains within single mode operation over a wide range of output power. The ADNV-6330 has significantly lower power consumption than a LED. It is an excellent choice for optical navigation applications.

Features

- **Advanced Technology VCSEL chip**
- **Single Mode Lasing operation**
- **Non-hermetic plastic package**
- **832-865 nm wavelength**

Notes:

Because the can is not sealed, the protective kapton tape should not be removed until just prior to assembly into the ADNS-6120 or ADNS-6130-001 lens.

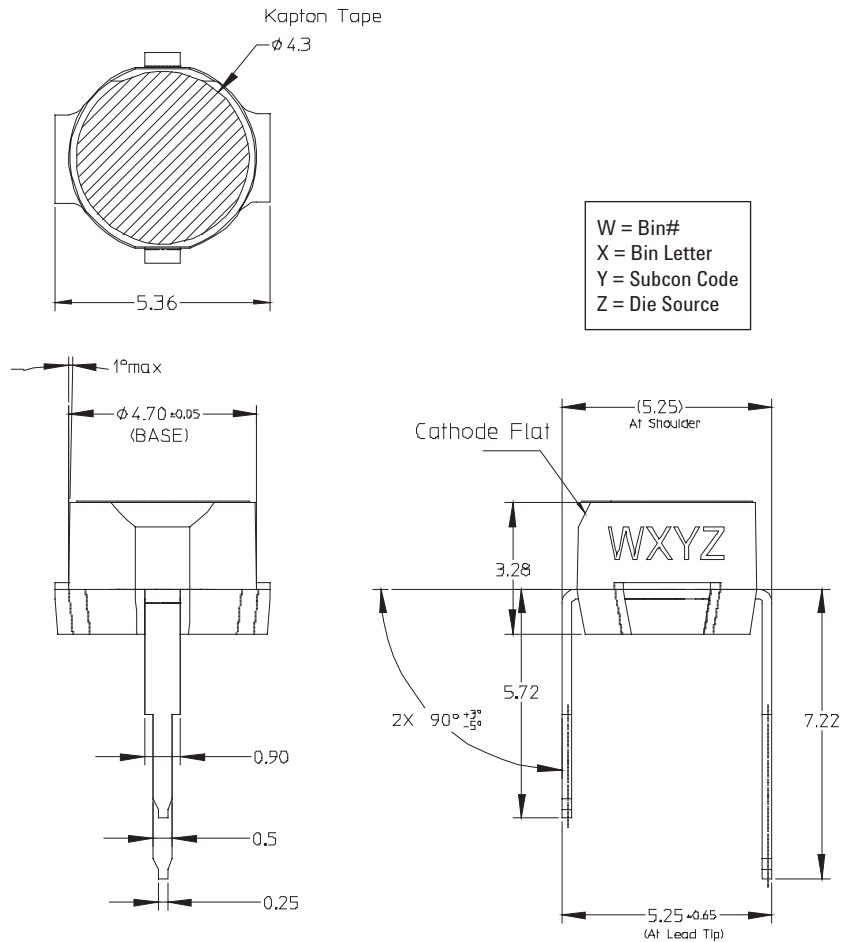


Figure 27. Outline Drawing for ADNV-6330 VCSEL

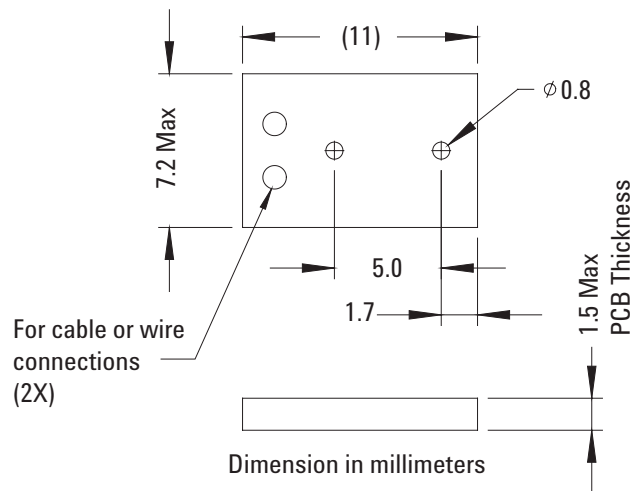


Figure 28. Suggested ADNV-6330 PCB Mounting Guide

Comments:

1. Stresses greater than those listed under “Absolute Maximum Ratings” may cause permanent damage to the device. These are the stress ratings only and functional operation of the device at these or any other condition beyond those indicated for extended period of time may affect device reliability.
2. The maximum ratings do not reflect eye-safe operation. Eye safe operating conditions are listed in the power adjustment procedure section in the ADNS-6030 laser sensor datasheet.
3. The inherent design of this component causes it to be sensitive to electrostatic discharge. The ESD threshold is listed above. To prevent ESD-induced damage, take adequate ESD precautions when handling this product.

Absolute Maximum Ratings:

Parameter	Rating	Units
DC Forward current	12	mA
Peak Pulsing current [1]	19	mA
Power Dissipation	24	mW
Reverse voltage [2]	5	V
Laser Junction Temperature	150	°C
Operating case Temperature	5 to 45	°C
Storage case Temperature	-40 to +85	°C
Lead Soldering Temperature [3]	260	°C
ESD (Human-body model)	200	Volts

Notes:

1. Duration = 100ms, 10% duty cycle
2. $I = 10\mu\text{A}$
3. See IR reflow profile (Figure 36)

Comments:

VCSELs are sorted into bins as specified in the power adjustment procedure section in the ADNS-6030 laser sensor datasheet. Appropriate binning resistor and register data values are used in the application circuit to achieve the target output power.

Danger:

When driven with current or temperature range greater than specified in the power adjustment procedure section, eye safety limits may be exceeded. The VCSEL should then be treated as a Class IIIb laser and as a potential eye hazard.

Optical/Electrical Characteristics (at $T_c = 5^\circ\text{C}$ to 45°C):

Parameter	Symbol	Min.	Typ.	Max.	Units
Peak Wavelength	λ	832		865	nm
Maximum Radiant Power ^[1]	LOP max		4.5		mW
Wavelength Temperature coefficient	$d\lambda/dT$		0.065		nm/°C
Wavelength Current coefficient	$d\lambda/dI$		0.21		nm/mA
Beam Divergence	$\theta_{FW@1/e^2}$		15		deg
Threshold current	I_{th}		4.2		mA
Slope Efficiency	SE		0.4		W/A
Forward Voltage ^[2]	V_F		1.9		V

Notes:

1. Maximum output power under any condition. This is not a recommended operating condition and does not meet eye safety requirements.
2. At 500uW output power.

Typical Characteristics

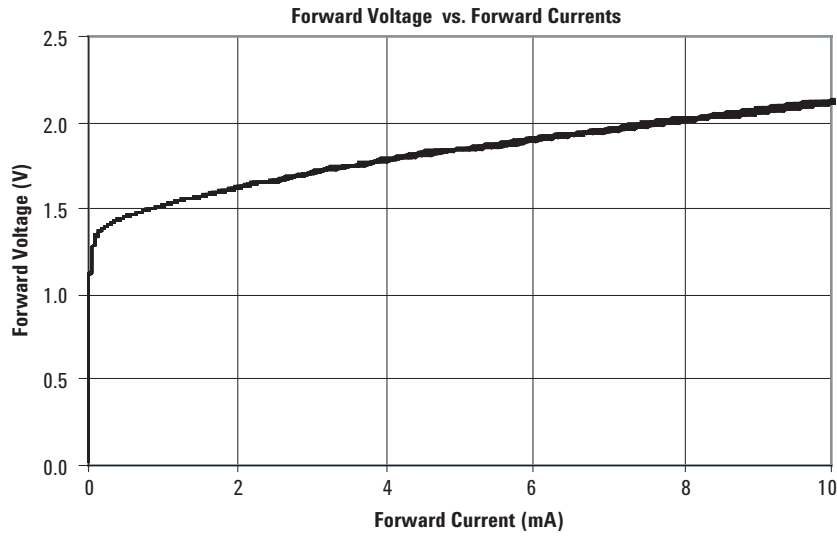


Figure 29. Forward Voltage vs. Forward Current

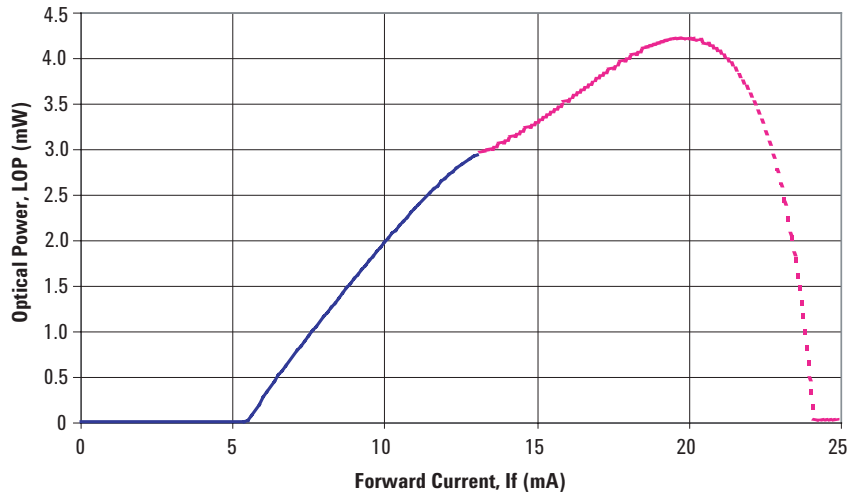


Figure 30. Optical Power vs. Forward Current

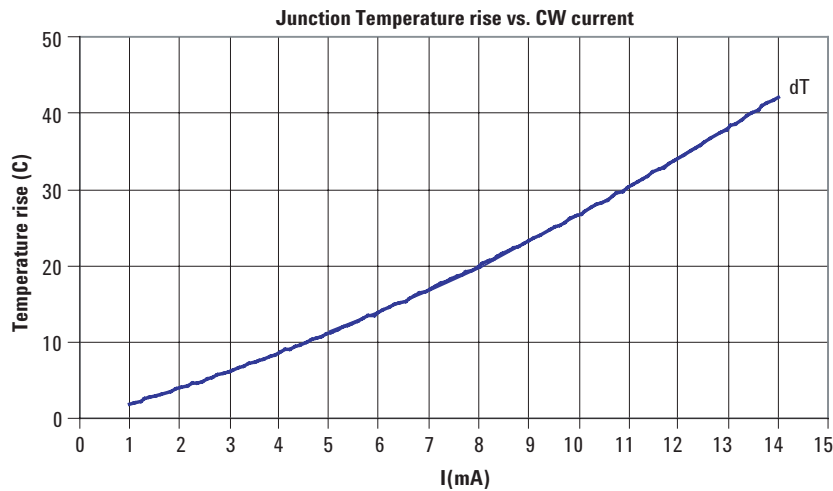


Figure 31. Junction Temperature Rise vs. Forward Current

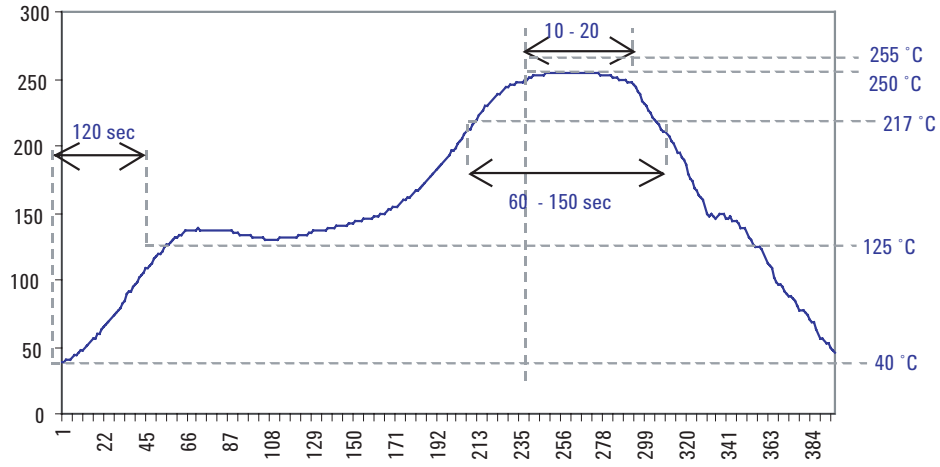


Figure 32. Recommended Reflow Soldering Profile

Agilent ADNS-6120 and ADNS-6130-001 Laser Mouse Lens

Description

The ADNS-6120 and ADNS-6130-001 laser mouse lens are designed for use with Agilent laser mouse sensors and the illumination subsystem provided by the ADNS-6230-001 VCSEL assembly clip and the ADNV-6330 Single-Mode Vertical-Cavity Surface Emitting Lasers (VCSEL). Together with the VCSEL, the

ADNS-6120 or ADNS-6130-001 laser mouse lens provides the directed illumination and optical imaging necessary for proper operation of the laser mouse sensor. ADNS-6120 or

ADNS-6130-001 laser mouse lens is a precision molded optical component and should be handled with care to avoid scratching of the optical surfaces.

Part Number	Description
ADNS-6120	Laser Mouse Round Lens
ADNS-6130-001	Laser Mouse Trim Lens

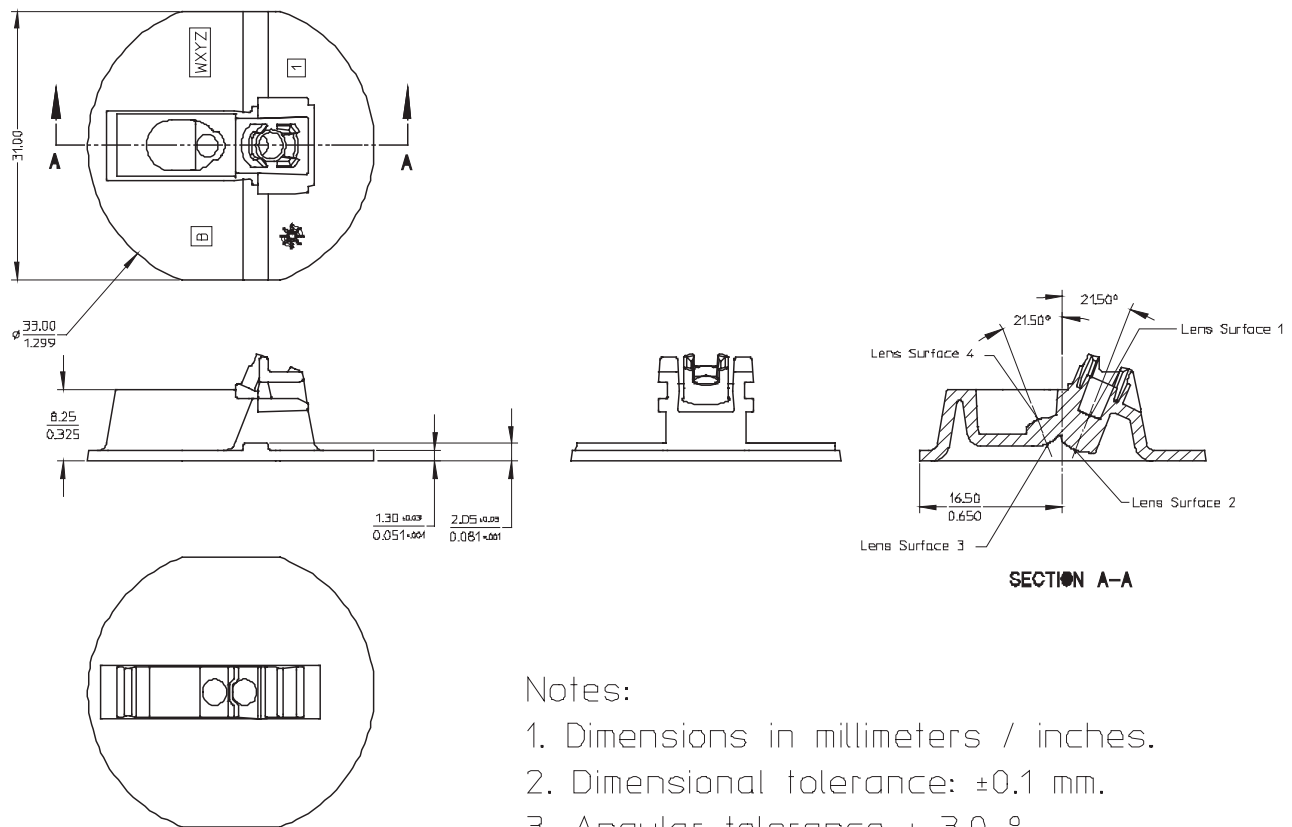
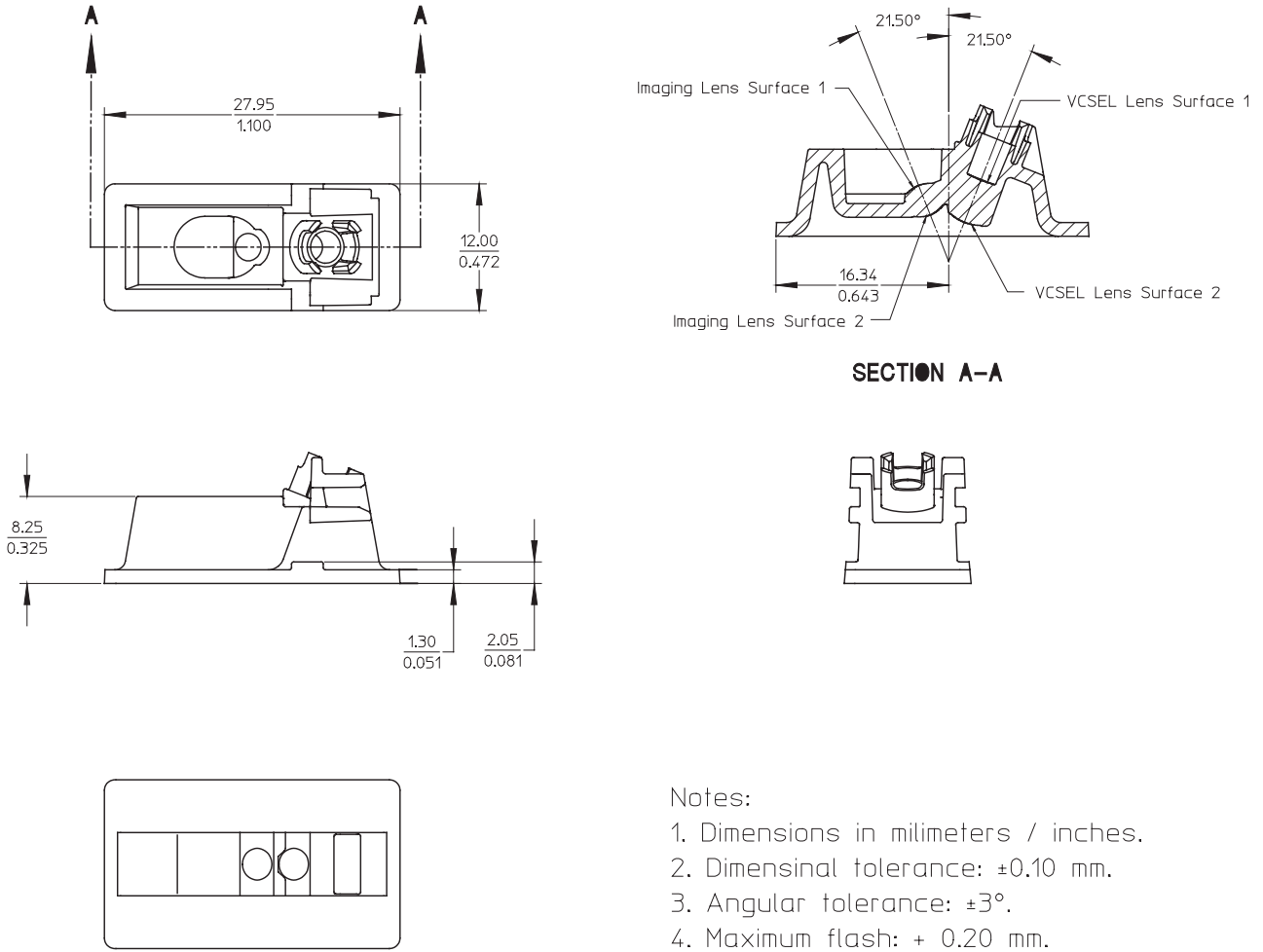


Figure 33. ADNS-6120 laser mouse round lens outline drawings and details



- Notes:
1. Dimensions in millimeters / inches.
 2. Dimensional tolerance: ± 0.10 mm.
 3. Angular tolerance: $\pm 3^\circ$.
 4. Maximum flash: + 0.20 mm.

Figure 34. ADNS-6130-001 laser mouse trim lens outline drawings and details

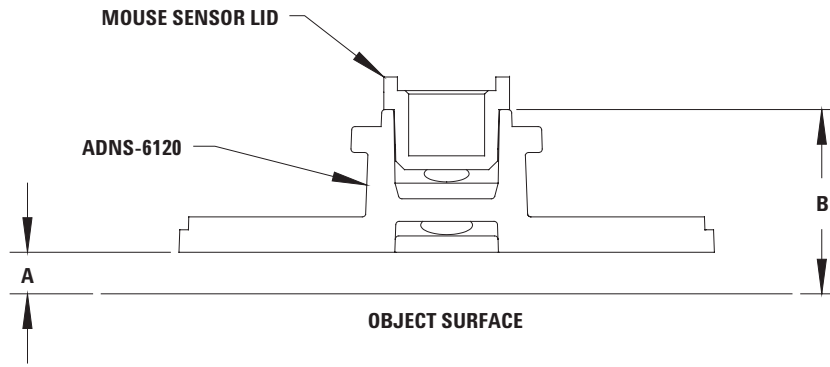


Figure 35. Optical system assembly cross-section diagram

Mechanical Assembly Requirements

All specifications reference Figure 35, Optical System Assembly Diagram

Parameters	Symbol	Min.	Typical	Max.	Units	Conditions
Distance from Object Surface to Lens Reference Plane	A	2.18	2.40	2.62	mm	For ADNS-6120 and ADNS-6130-001
Distance from Mouse Sensor Lid Surface to Object Surface	B		10.65		mm	Sensor lid must be in contact with lens housing surface

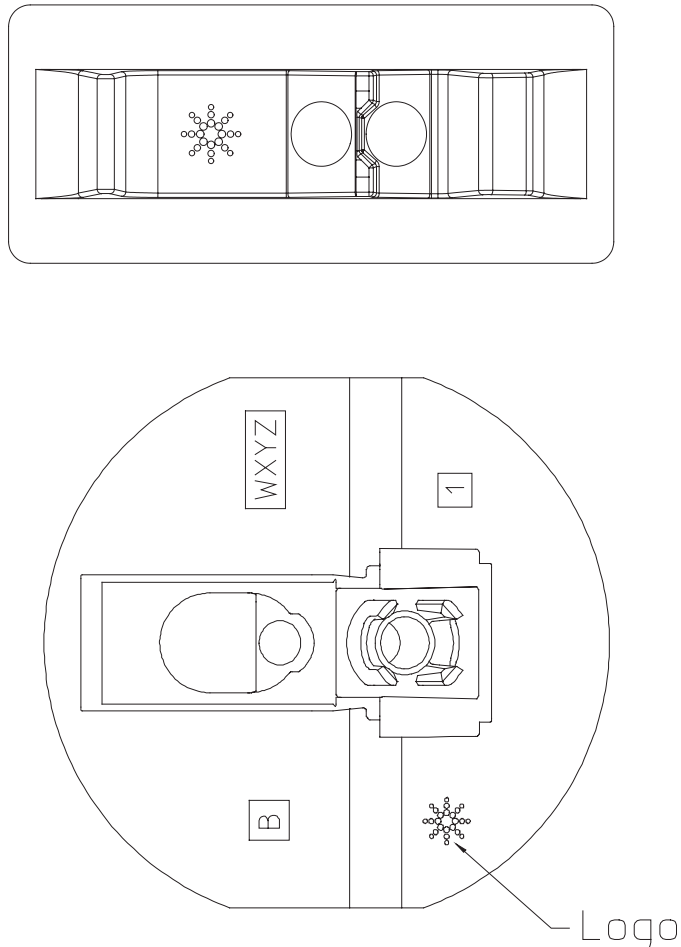


Figure 36. Agilent's logo locations

Lens Design Optical Performance Specifications

All specifications are based on the Mechanical Assembly Requirements.

Parameters	Symbol	Min.	Typical	Max.	Units	Conditions
Design Wavelength	λ		842		nm	
Lens Material* Index of Refraction	N	1.5693	1.5713	1.5735		$\lambda = 842 \text{ nm}$

*Lens material is polycarbonate. Cyanoacrylate based adhesives should not be used as they will cause lens material deformation.

Mounting Instructions for the ADNS-6120 and ADNS-6130-001 Laser Mouse Lenses to the Base Plate

An IGES format drawing file with design specifications for laser mouse base plate features is available. These features are useful in maintaining proper positioning and alignment of the ADNS-6120 or ADNS-6130-001 laser mouse lens when used with the Agilent Laser Mouse Sensor. This file can be obtained by contacting your local Agilent sales representative.

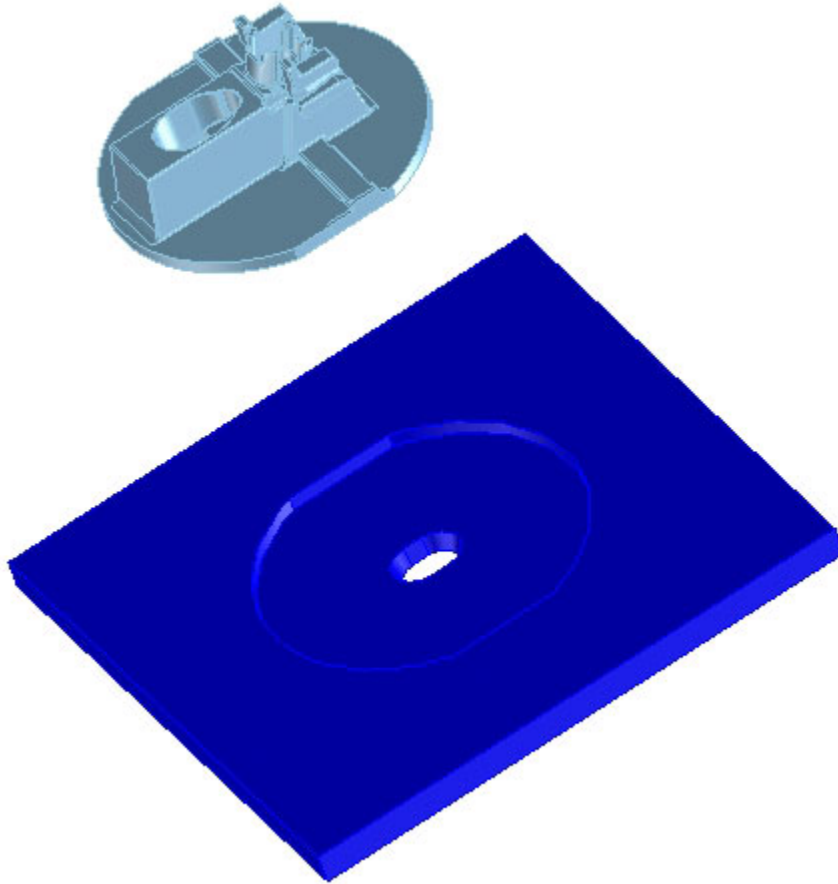


Figure 37. Illustration of base plate mounting features for ADNS-6120 laser mouse round lens

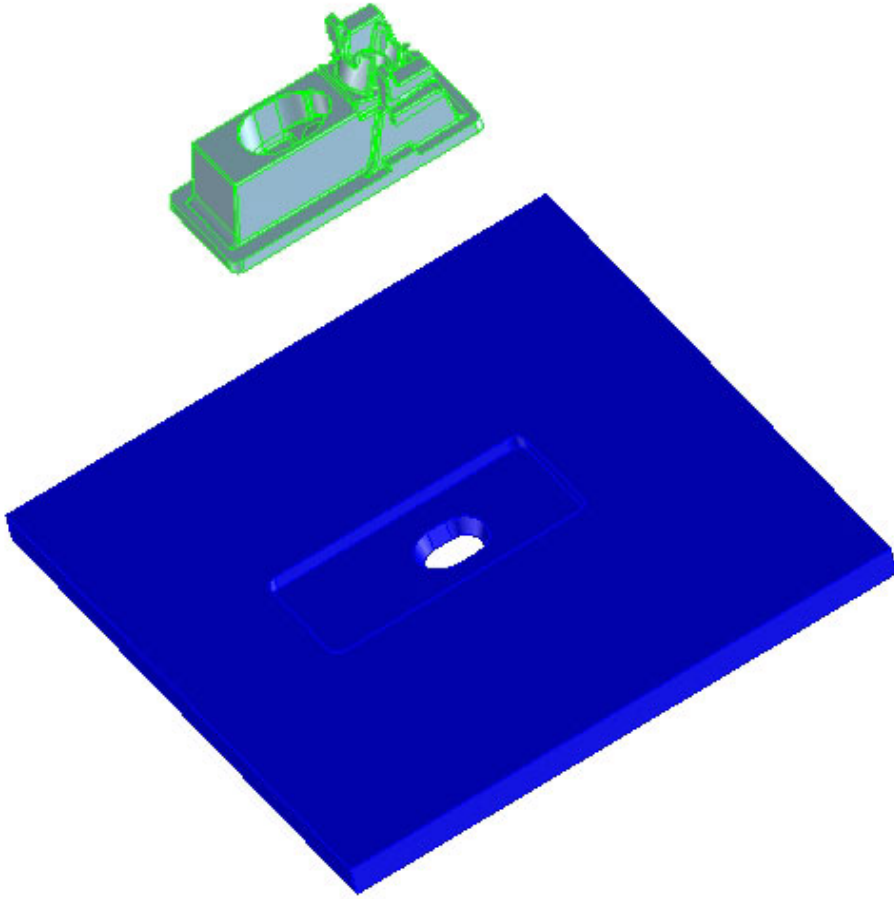


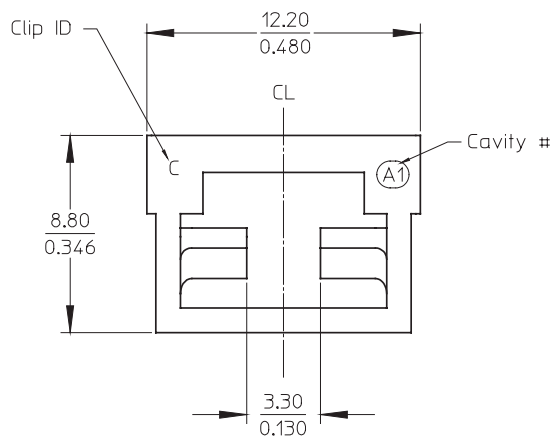
Figure 38. Illustration of base plate mounting features for ADNS-6130-001 laser mouse trim lens

Agilent ADNS-6230-001 Laser Mouse VCSEL Assembly Clip

Description

The ADNS-6230-001 VCSEL Assembly Clip is designed to provide mechanical coupling of the ADNV-6330 VCSEL to the ADNS-6120 or ADNS-6130-001 Laser Mouse Lens. This

coupling is essential to achieve the proper illumination alignment required for the sensor to operate on a wide variety of surfaces.



Notes:

1. Dimensions in millimeters / inches.
2. Dimensional tolerance: ± 0.10 mm.
3. Maximum flash + 0.20 mm.

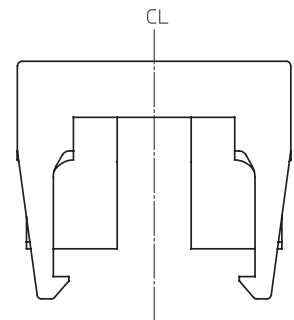
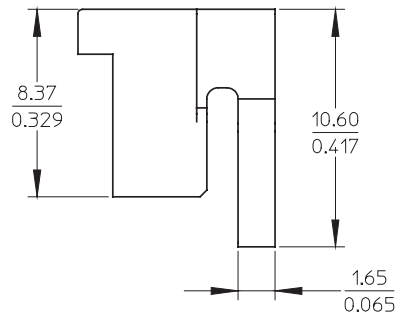
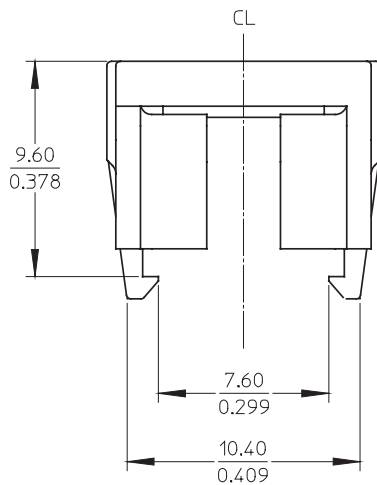


Figure 39. Outline Drawing for ADNS-6230-001 VCSEL Assembly Clip

**www.agilent.com/
semiconductors**

For product information and a complete list of distributors, please go to our web site.

For technical assistance call:

Americas/Canada: +1 (800) 235-0312
or (916) 788-6763

Europe: +49 (0) 6441 92460

China: 10800 650 0017

Hong Kong: (+65) 6756 2394

India, Australia, New Zealand: (+65) 6755 1939

Japan: (+81 3) 3335-8152(Domestic/International), or 0120-61-1280(Domestic Only)

Korea: (+65) 6755 1989

Singapore, Malaysia, Vietnam, Thailand, Philippines, Indonesia: (+65) 6755 2044

Taiwan: (+65) 6755 1843

Data subject to change.

Copyright © 2005 Agilent Technologies, Inc.

Obsoletes 5989-3115EN

July 26, 2005

5989-3438EN



Agilent Technologies