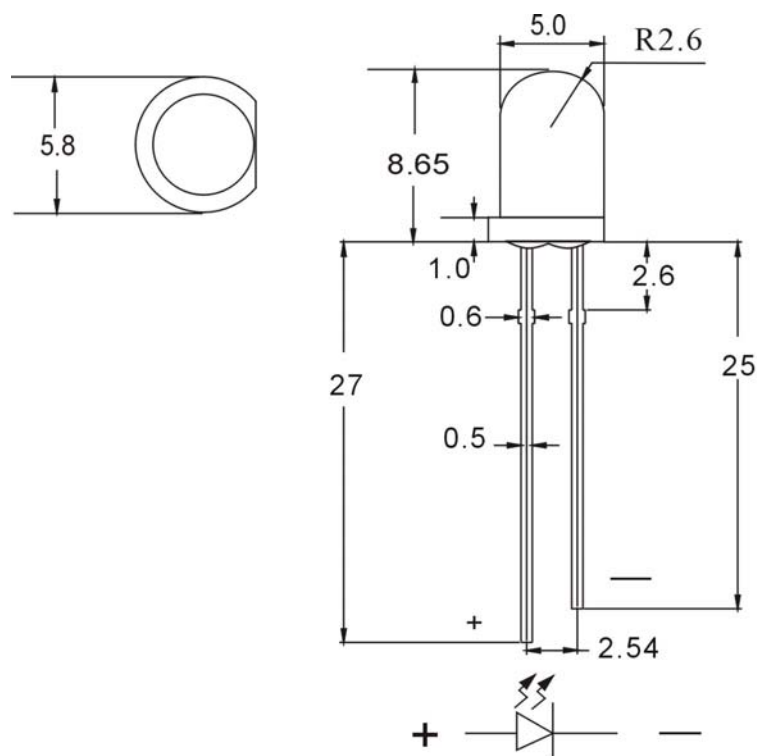


品名: 5W4VC-D15U

单位: mm

NOTE: TOLERANCE $\pm 0.5\text{mm}$

Parameter	Symbol	MIN.	TYP.	MAX.	UNIT	TEST CONDITION
Forward Voltage	V_F	2.8	3.2	3.6	V	$I_F=20\text{mA}$
Recommend Forward Current	$I_F(\text{Rec})$		20		mA	
Reverse Current	I_R			10	μA	$V_R=5\text{V}$
Luminous Intensity	I_V		11000		mcd	$I_F=20\text{mA}$
Peak Wavelength	λ_p		B/Y		nm	
Peak Forward Current	$I_f(\text{Peak})$			100	mA	
Power dissipation	P_d		100		mW	$I_F=20\text{mA}$
View Angle	$2\theta_{1/2}$	10	15	20	deg	$I_F=20\text{mA}$

■ ABSOLUTE MAXIMUM RATINGS: ($T_a = 25^\circ\text{C}$)

■ OPERATING TEMPERATURE: -40°C TO $+80^\circ\text{C}$

■ LEAD SOLDERING: 260°C FOR 5 SECONDS