

NPN EPOXY - SWITCHING AND GENERAL PURPOSE (Cont'd.)

D

| TYPE NO. | V _{CB} | V _{CE} | V _{EB} | h _{FE} | at | I _C | V _{CE} | V _{CE(s)} at I _B | | | f _T | C _{ob} | I _{CBO} at V _{CB} | | CASE |
|----------|-----------------|-----------------|-----------------|-----------------|-----|----------------|-----------------|--------------------------------------|-----|-----|----------------|-----------------|-------------------------------------|----|--------|
| | V | V | V | min | max | mA | V | V | mA | mA | MHz | pF | μA | V | |
| 2N5136 | 30 | 20 | 3 | 20 | 400 | 150 | 1 | .25 | 15 | 150 | 40 | 35 | 0.1 | 20 | TO-105 |
| 2N5137 | 30 | 20 | 3 | 20 | 400 | 150 | 1 | .25 | 15 | 150 | 40 | 35 | 0.1 | 20 | TO-106 |
| 2N5172 | 25 | 25 | 5 | 100 | 500 | 10 | 10 | .25 | 1 | 10 | — | 10 | — | — | TO-98 |
| 2N5219 | 15 | 15 | 3 | 35 | 350 | 2 | 10 | 0.4 | 0.2 | 2 | 150 | 4 | — | — | TO-92 |
| 2N5220 | 15 | 15 | 3 | 30 | 600 | 50 | 10 | 0.5 | 5 | 50 | 100 | 10 | — | — | TO-92 |
| 2N5223 | 20 | 20 | 3 | 50 | 800 | 2 | 10 | 0.7 | 0.2 | 2 | 150 | 4 | — | — | TO-92 |
| 2N5225 | 25 | 25 | 4 | 30 | 600 | 50 | 10 | 0.8 | 5 | 50 | 50 | 20 | — | — | TO-92 |
| 2N5368 | 30 | 30 | 5 | 60 | 200 | 150 | 10 | 0.3 | 15 | 150 | 250 | 8 | — | — | TO-92P |
| 2N5369 | 30 | 30 | 5 | 100 | 300 | 150 | 10 | 0.3 | 15 | 150 | 250 | 8 | — | — | TO-92P |
| 2N5370 | 30 | 30 | 5 | 200 | 600 | 150 | 10 | 0.3 | 15 | 150 | 250 | 8 | — | — | TO-92P |
| 2N5371 | 30 | 30 | 5 | 60 | 600 | 150 | 10 | 0.3 | 15 | 150 | 250 | 8 | — | — | TO-92P |
| 2N5380 | 40 | 40 | 6 | 50 | 150 | 10 | 1 | 0.3 | 5 | 50 | 250 | 4 | — | — | TO-92P |
| 2N5381 | 40 | 40 | 6 | 100 | 300 | 10 | 1 | 0.3 | 5 | 50 | 300 | 4 | — | — | TO-92P |
| 2N5810 | 25 | 25 | 5 | 45 | — | 500 | 2 | .75 | 50 | 500 | 100 | 15 | — | — | TO-92P |
| 2N5812 | 25 | 25 | 5 | 60 | — | 500 | 2 | .75 | 50 | 500 | 135 | 15 | — | — | TO-92P |
| 2N5814 | 40 | 40 | 5 | 20 | — | 500 | 2 | .75 | 50 | 500 | 100 | 15 | — | — | TO-92P |
| 2N5816 | 40 | 40 | 5 | 25 | — | 500 | 2 | .75 | 50 | 500 | 120 | 15 | — | — | TO-92P |
| 2N5818 | 40 | 40 | 5 | 25 | — | 500 | 2 | .75 | 50 | 500 | 135 | 15 | — | — | TO-92P |
| 2N5824 | 40 | 40 | 5 | 60 | 120 | 2 | 5 | .125 | 1 | 10 | — | 4 | — | — | TO-92P |
| 2N5825 | 40 | 40 | 5 | 100 | 200 | 2 | 5 | .125 | 1 | 10 | — | 4 | — | — | TO-92P |
| 2N5826 | 40 | 40 | 5 | 150 | 300 | 2 | 5 | .125 | 1 | 10 | — | 4 | — | — | TO-92P |
| 2N5856 | 60 | 60 | 5 | 50 | 300 | 150 | 10 | 0.4 | 15 | 150 | — | 4 | — | — | TO-105 |
| 2N5858 | 80 | 80 | 5 | 50 | 300 | 150 | 10 | 0.4 | 150 | 10 | 200 | 12 | — | — | TO-105 |

NPN EPOXY - SATURATED SWITCH

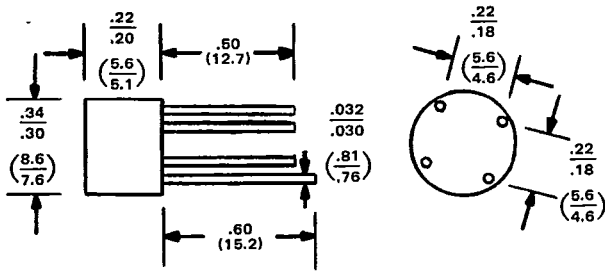
| TYPE NO. | V _{CB} | V _{CE} | V _{EB} | h _{FE} | at | I _C | V _{CE} | V _{CE(s)} at I _C | | f _T | C _{ob} | t _{on} | t _{off} | I _{CBO} at V _{CB} | | CASE |
|----------|-----------------|-----------------|-----------------|-----------------|-----|----------------|-----------------|--------------------------------------|-----|----------------|-----------------|-----------------|------------------|-------------------------------------|----|--------|
| | V | V | V | min | ma | mA | V | V | mA | MHz | pF | nS | nS | μA | V | |
| 2N3646 | 40 | 15 | 5 | 30 | 120 | 30 | 0.4 | 0.2 | 30 | 350 | 5 | — | 28 | 0.5 | 20 | TO-106 |
| 2N4264 | 15 | 15 | 6 | 40 | 160 | 10 | 10 | 0.22 | 10 | 300 | 4 | — | 20 | — | — | TO-92 |
| 2N4265 | 12 | 12 | 6 | 100 | 400 | 10 | 10 | 0.22 | 10 | 300 | 4 | — | 20 | — | — | TO-92 |
| 2N4274 | 30 | 12 | 4 | 35 | 120 | 10 | 1 | 0.2 | 10 | 400 | 4 | — | 12 | — | — | TO-106 |
| 2N4275 | 40 | 15 | 4 | 30 | 120 | 10 | 1 | 0.2 | 10 | 400 | 4 | — | 12 | — | — | TO-106 |
| 2N5134 | 20 | 10 | 3 | 20 | 150 | 10 | 1 | 0.25 | 10 | 250 | 4 | — | 18 | 0.4 | 15 | TO-106 |
| 2N5224 | 12 | 12 | 5 | 40 | 400 | 10 | 10 | 0.35 | 10 | 250 | 4 | — | 60 | — | — | TO-92 |
| 2N5769 | 15 | 15 | 4 | 40 | 120 | 10 | 10 | 0.2 | 10 | 500 | 4 | — | 13 | — | — | TO-92 |
| 2N5772 | 15 | 15 | 5 | 30 | 120 | 30 | 10 | 0.2 | 30 | 350 | 5 | — | 18 | — | — | TO-92 |
| 2N5845 | 40 | 40 | 6 | 25 | 150 | 500 | 10 | 0.6 | 500 | 200 | 9 | — | 60 | — | — | TO-92 |
| 2N5845A | 40 | 40 | 6 | 35 | 150 | 500 | 10 | 0.5 | 500 | 250 | 9 | — | 50 | — | — | TO-92 |

NPN EPOXY - LOW NOISE LEVEL AMPLIFIER

| TYPE NO. | V _{CB} | V _{CE} | V _{EB} | h _{FE} | at | I _C | V _{CE} | V _{CE(s)} at I _C | | f _T | C _{ob} | NF | t _{off} | I _{CBO} at V _{CB} | | CASE |
|----------|-----------------|-----------------|-----------------|-----------------|-----|----------------|-----------------|--------------------------------------|----|----------------|-----------------|-----|------------------|-------------------------------------|----|--------|
| | V | V | V | min | max | mA | V | V | mA | MHz | pF | dB | nS | μA | V | |
| 2N3391 | 25 | 25 | 5 | 250 | 500 | 2.0 | 4.5 | — | — | — | 10 | — | — | — | — | TO-98 |
| 2N3391A | 25 | 25 | 5 | 250 | 500 | 2.0 | 4.5 | — | — | — | 10 | 5.0 | — | — | — | TO-98 |
| 2N3565 | 30 | 25 | 6 | 150 | 600 | 1.0 | 10 | — | — | 40 | 4.0 | — | — | .05 | 25 | TO-106 |
| 2N3691 | 35 | 20 | 4 | 40 | 160 | 10 | 1.0 | 0.7 | 10 | 200 | 3.5 | — | — | .05 | 15 | TO-106 |
| 2N3692 | 35 | 20 | 4 | 100 | 400 | 10 | 1.0 | 0.7 | 10 | 200 | 3.5 | — | — | .05 | 15 | TO-106 |
| 2N3900 | 18 | 18 | 5 | 250 | 500 | 2.0 | 4.5 | — | — | — | 12 | — | — | — | — | TO-98 |
| 2N3900A | 18 | 18 | 5 | 250 | 500 | 2.0 | 4.5 | — | — | — | 12 | 5.0 | — | — | — | TO-98 |
| 2N4966 | 50 | 40 | 6 | 40 | 200 | .01 | 5 | 0.4 | — | 40 | 6 | 6 | — | .025 | 25 | TO-106 |
| 2N4967 | 50 | 40 | 6 | 100 | 600 | .01 | 5 | 0.4 | — | 40 | 6 | 6 | — | .025 | 25 | TO-106 |
| 2N4968 | 30 | 25 | 6 | 40 | 200 | .01 | 5 | 0.4 | — | 40 | 6 | 6 | — | .05 | 25 | TO-106 |

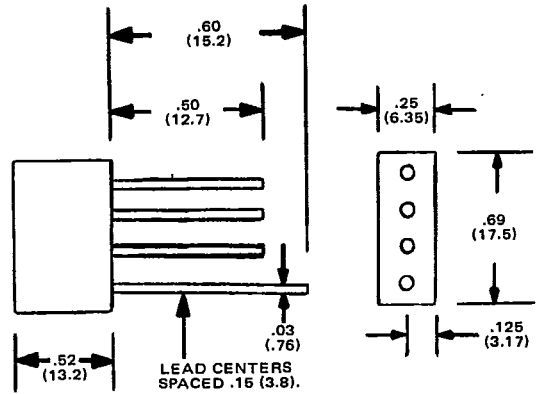
CASE OUTLINE DRAWINGS

D



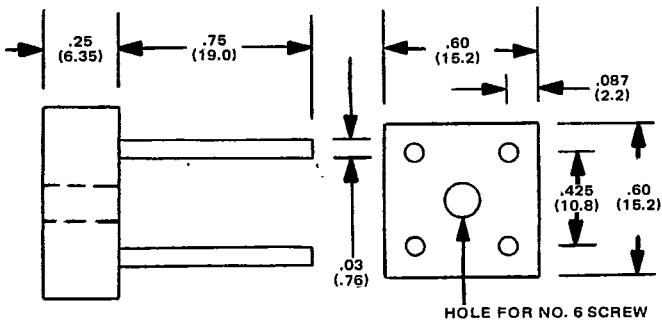
CASE A

CBR1 Series
CBR2 Series



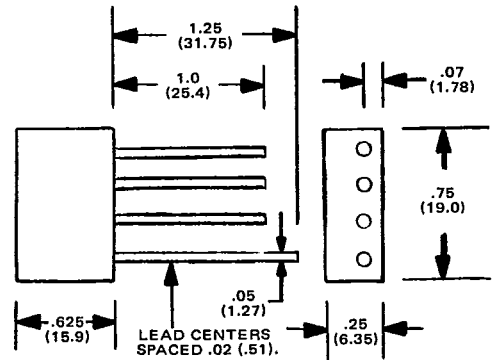
CASE B

CBR1-L Series
CBR2-L Series



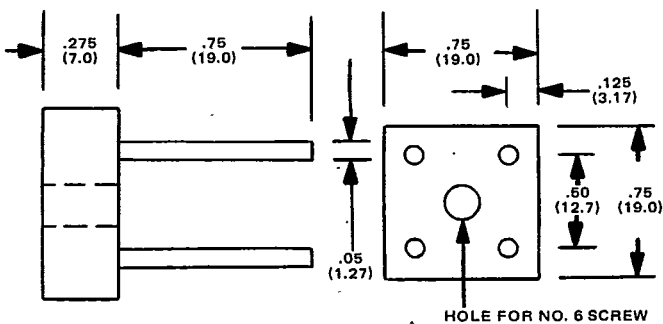
CASE C

CBR3-P Series



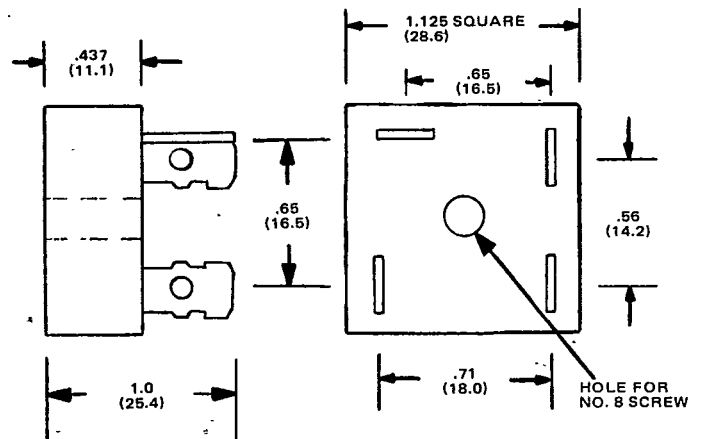
CASE D

CBR4-L Series



CASE E

CBR8 Series



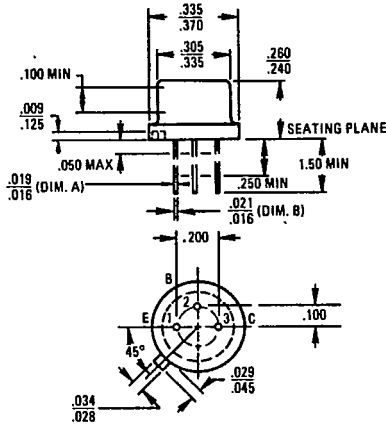
CASE F

CBR10 Series, CBR25 Series
CBR12 Series, CBR30 Series

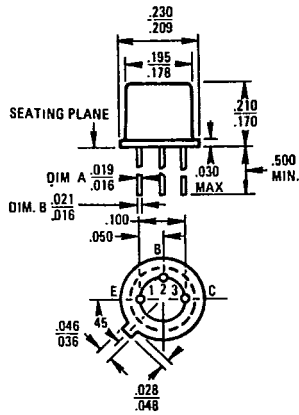
All Dimensions in Inches (Millimeters)

Drawings Not To Scale

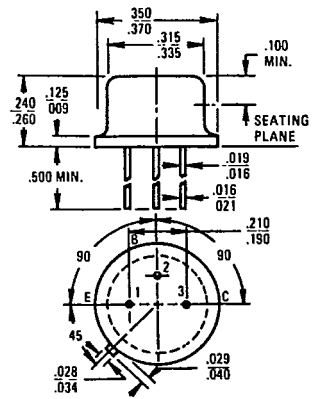
TO-5



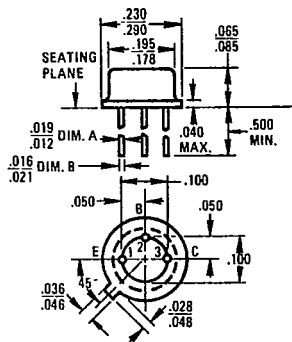
TO-18



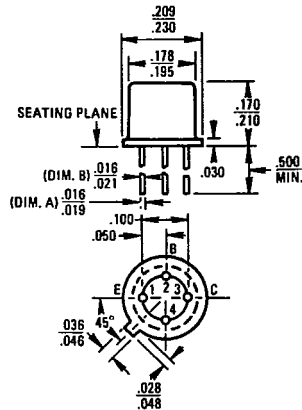
TO-39



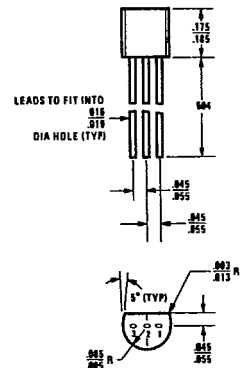
TO-46



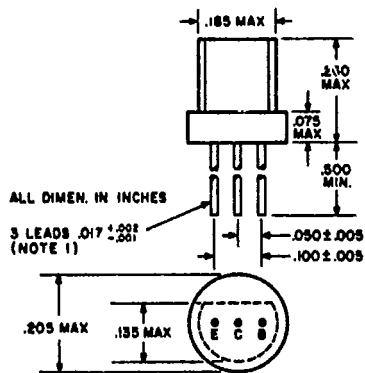
TO-72



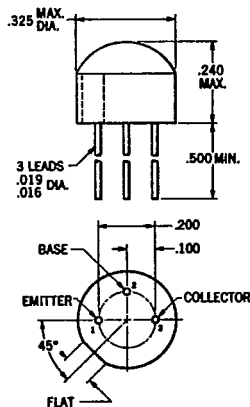
TO-92



TO-98



TO-105



TO-106

