

GERMANIUM SMALL SIGNAL TRANSISTORS

PRO ELECTRON TYPES

Type	Polar-ity	V_{CBO} V Max	V_{EBO} V Max	V_{CE} V Max		I_{CBO}		h_{FE}		C_{ob} pf Max	fab MHZ Min	Pack Outline	Power Dissipation @ 25°C MW
						@ V_{CB} V	μA Max	Min	Max				
ACY33	P	32	10	32		10	10	75-250	300	100	1.0	TO-1	1,000
ACY34	P	30	10	10		30	12	20-40	1 ¹	40	1.0 ²	TO-1	200
ACY35	P	30	10	10		30	12	30-75	1 ¹	40	1.0 ²	TO-1	200
ACY36	P	32	10	16		30	12	30-90	80	40	1.0 ²	TO-1	200
ACY38	P	15	9					75-	1 ¹		5.0	TO-5	150
ACY39	P	110	12	40		6	10	50-150	300	40	1.0 ¹	TO-5	260
ACY40	P	32	12	18		6	10	30-70	300	40	1.0 ¹	TO-5	260
ACY41	P	32	12	18		6	10	50-250	300	40	1.0 ¹	TO-5	260
ACY44	P	50	12	30		6	10	40-120	300	40	1.0 ¹	TO-5	260
ASY26	P	30	20	15		30	7	30-80	20	16	4.0	TO-5	150
ASY27	P	25	20	15		25	7	50-150	20	16	6.0	TO-5	150
ASY28	N	30	20	15		5	3.0	30-80	20	16	4.0	TO-5	150
ASY29	N	25	20	15		5	3.0	50-150	20	16	10.0	TO-5	150
ASY48	P	64	16	45				30-150	100	40	1.2 ²	TO-1	900
ASY70	P	32	16	30				30-150	100	40	1.5 ²	TO-1	900
ASY76	P	40	10	32		10	10	25-130	300	60	0.5	TO-5	300
ASY77	P	60	10	60		10	10	25-130	300	60	0.5	TO-5	300
ASY80	P	40	20	40		10	10	60-165	50	60	0.7	TO-5	300
ASY81	P	60	25	35		60	15	30-100	100	25	2.0	TO-5	200
OC65	P	10	10	10		4.5	12	30-	4	40	1.0 ¹	TO-1	25
OC66	P	10	10	10		4.5	12	50-	4	40	1.0 ¹	TO-1	25
OC70	P	30	10	10		4.5	13	20-40	0.5 ¹	40	1.0 ¹	TO-1	125
OC71	P	30	10	10		4.5	13	41-	1.0 ¹	40	1.0 ¹	TO-1	125
OC72	P	32	10	16		10	10	45-120	10	40	1.0 ¹	TO-1	125
OC73	P	32	20	16		4.5	6	30-65	0.5 ¹	40	1.0 ¹	TO-1	125
OC74	P	20	5			9	20	60-150	50	40	1.0 ¹	TO-1	220
OC75	P	30	10	10		4.5	14	60-130	3 ¹	40	1.0 ¹	TO-1	125
OC76	P	32	10	16		10	10	45-	10	40	1.0 ¹	TO-1	125
OC77	P	60	10	15		10	10	45-	10	40	1.0 ¹	TO-1	125
OC78	P	20	10			10	10	20-	125	40	1.0 ¹	TO-1	200
OC81N	P	32	10			10	10	50-250	50	40	1.0 ¹	TO-1	200
OC83N	P	32	10	20		10	10	40-200	300	40	1.0 ¹	TO-1	220
OC84N	P	32	10	20		10	10	50-160	300	40	1.0 ¹	TO-1	220

¹hfe²typical

Type		V_{CBO} V Max	V_{EBO} V Max	V_{CE} V Max		@ V_{CB} V	I_{CBO} μA Max	h_{FE} Typical	@ I_c mA	C_{ob} pf Max	fab MHZ Min	Pack Outline	Power Dissipation @ 25°C MW
------	--	-----------------------	-----------------------	----------------------	--	-----------------	-----------------------------	---------------------	---------------	-----------------------	-------------------	-----------------	--------------------------------------

PNP LOW POWER

2N217		35	12	25		10	10	50-	1 ¹	60	1 ²	TO-1	165
2N408		20	2.5	18		20	14	65-	50			TO-1	150
2N484		12				12	10	90-	1 ¹	12 ²	10	TO-5	150
2N519		15	10	15		0.5	2.0	25-	1 ¹	14 ²	0.5	TO-5	100
2N520		15	10	12		0.5	2.0	40-	1 ¹	14 ²	3.0	TO-5	100
2N520A		25	10	15		0.5	2.0	40-	1 ¹	14 ²	3.0	TO-5	150
2N522A		25	10	10		0.5	2.0	100-	1 ¹	14 ²	15.0	TO-5	150
2N1187		65	30	45		10	10	50-	1 ¹		1.0	TO-5	200
2N1188		60	30	45		10	10	100-	1 ¹		1.2	TO-5	200
2N1729		25	20	15		3	6	30-	100	20		TO-5	150
2N1731		30	25	30		3	6	40-	10	20	5.0	TO-5	150

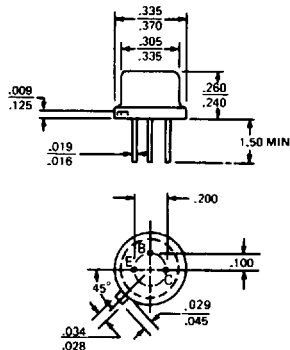
Type		V_{CBO} V Max	V_{EBO} V Max	V_{CE} V Max		@ V_{CB} V	I_{CBO} μA Max	h_{FE} Typical	@ I_c mA	C_{ob} pf Max	fab MHZ Min	Pack Outline	Power Dissipation @ 25°C MW
------	--	-----------------------	-----------------------	----------------------	--	-----------------	-----------------------------	---------------------	---------------	-----------------------	-------------------	-----------------	--------------------------------------

NPN LOW POWER

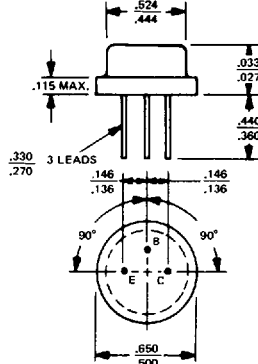
2N166		6				6	5	32	1.0				
2N167		30	50	30		30	1.5		1.0	4.0 ¹	8.0	OV17	65
2N169A		25	25	25		25	5			2.4 ¹	5.0	OV17	55
2N356		20	20	18		20	5	30	1.0	14 ¹	3.0	TO-5	100

CASE OUTLINE DRAWINGS & DIMENSIONS

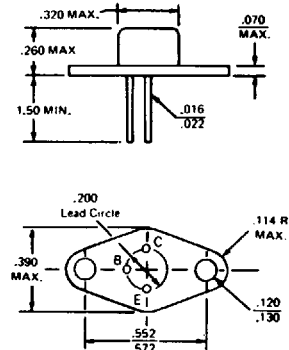
TO-5



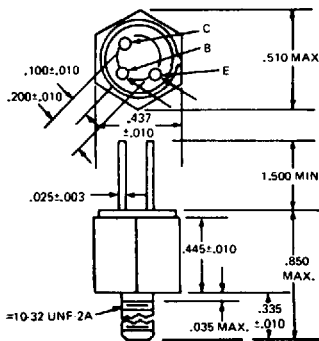
TO-8



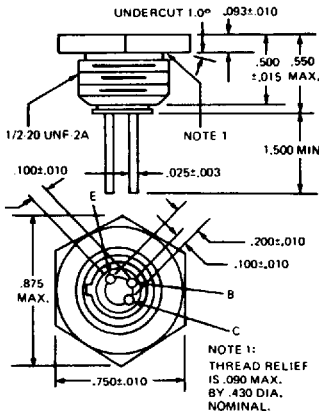
TO-37



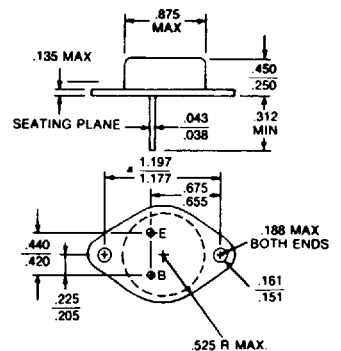
MT-27



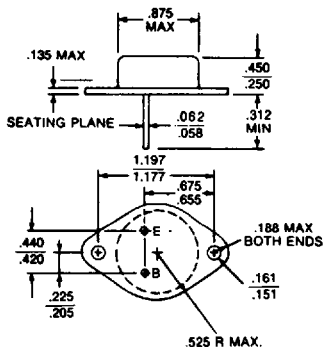
MT-28



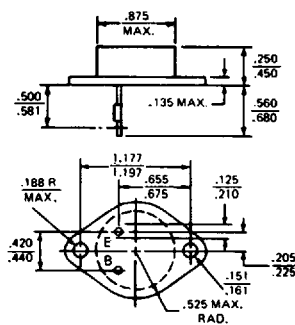
TO-3



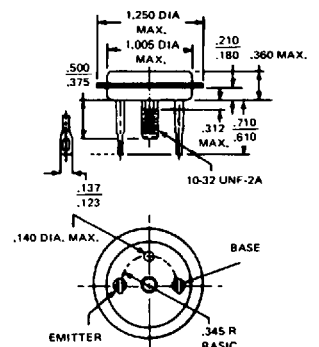
**MODIFIED TO-3
(60 mil pins)**



TO-41



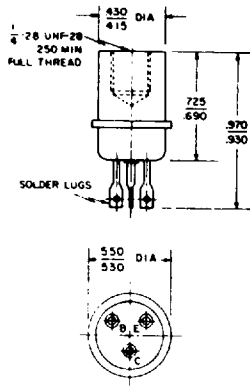
TO-36



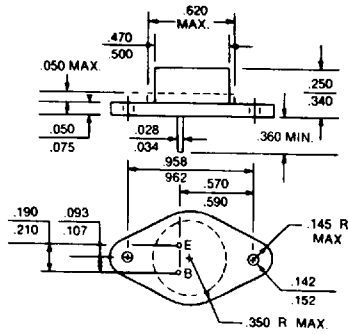
GERMANIUM POWER TRANSISTORS

CASE OUTLINE DRAWINGS & DIMENSIONS

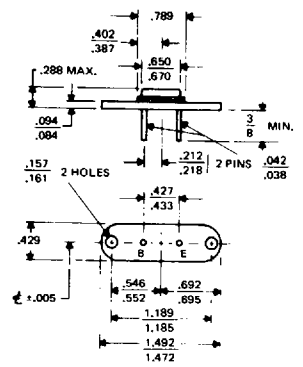
TO-13



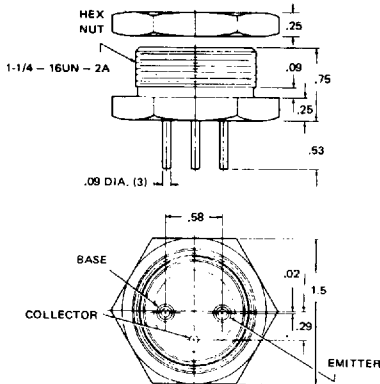
TO-66



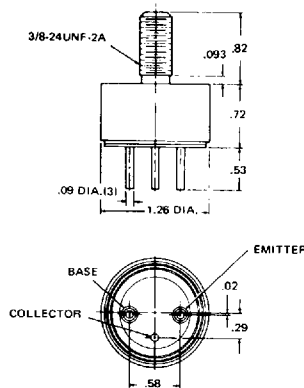
MS-7



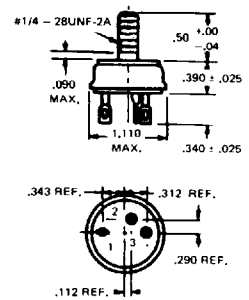
MT-22



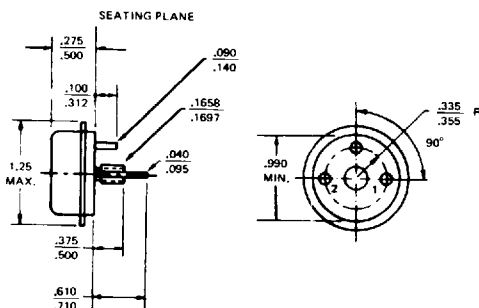
MT-23



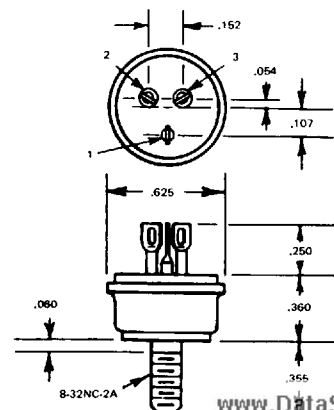
MT-7



TO-68



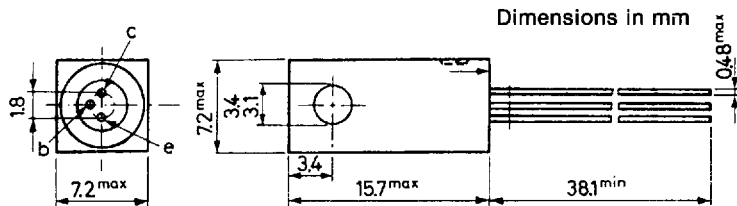
MT-36



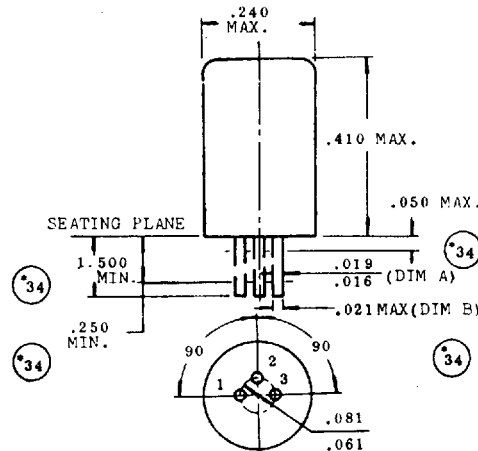
GERMANIUM POWER TRANSISTORS

CASE OUTLINE DRAWINGS & DIMENSIONS

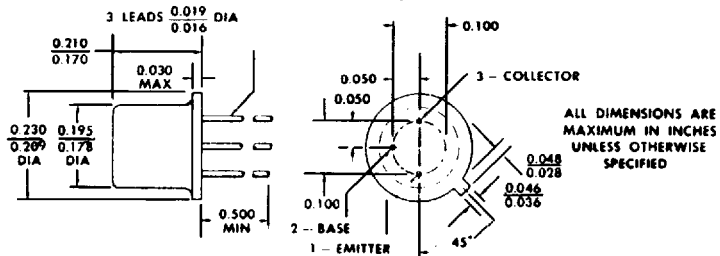
NS257



TO-1



TO-18



THE COLLECTOR IS ELECTRICAL CONTACT WITH THE CASE.

ALL JEDEC TO-18 DIMENSIONS AND NOTES ARE APPLICABLE.