

T-27-01

TR

(a) Audio preamplifier/drivers

Type NPN PNP	Maximum Ratings					Electrical Characteristics At $T_J = 25^\circ\text{C}$						Case
	P_D $T_a = 25^\circ\text{C}$ W	V_{CBO} V	V_{CER} V	V_{EBO} V	I_C mA	h_{FE} @ min/max	V_{CE}/I_C V/mA	I_{CBO} μA	f_T MHz	C_{ob} pF		
2N362	0.150	25	18	6	100	50/150	6/1	15	2	-	TO-5	
2N363	0.150	32	30	6	100	25/75	6/1	15	1.5	-	TO-5	
2N464	0.150	45	40*	12	100	14/-	6/1	15	1	-	TO-5	
2N467	0.150	35	15	12	100	112/-	6/1	15	2.7	-	TO-5	
SAC126**	0.450	32	32	10	100	50/-	1/50	10	2.3	-	TO-1	

* V_{CEO}

(b) Audio output

2N359**	0.450	25	18	6	500	100/300	1/50	15	3.5	40	TO-5
2N360**	0.450	32	30	6	500	50/200	1/50	15	2.5	40	TO-5
2N609	0.450	25	18	6	500	100/300	1/50	15	1.8	40	TO-5
2N610**	0.450	25	24	6	500	50/150	1/50	15	1.5	40	TO-5
SAC128	0.450	32	32	10	500	65/-	1/50	10	1.5	40	TO-1

** Also available in matched pairs

DataSheet4U.com

DataSheet4U.com

(c) I.F./R.F. amplifiers

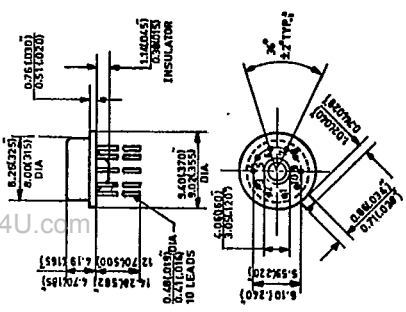
Type NPN PNP	Maximum Ratings					Electrical Characteristics At $T_J = 25^\circ\text{C}$						Case
	P_D $T_a = 25^\circ\text{C}$ W	V_{CBO} V	V_{CER} V	V_{EBO} V	I_C mA	h_{FE} @ min/max	V_{CE}/I_C V/mA	I_{CBO} max μA	f_{α} (typ) MHz	C_{ob} max pF		
2N481	0.150	20	12	6	100	25/-	4/1	10	3.0	14	TO-5	
2N482	0.150	20	12	6	100	40/-	6/1	10	3.5	12	TO-5	
2N483	0.150	20	12	6	100	80/-	6/1	10	5.5	12	TO-5	
2N485	0.150	20	12	6	100	40/-	6/1	10	7.5	12	TO-5	
2N486	0.150	20	12	6	100	80/-	6/1	10	12.0	12	TO-5	

(d) Switching transistors

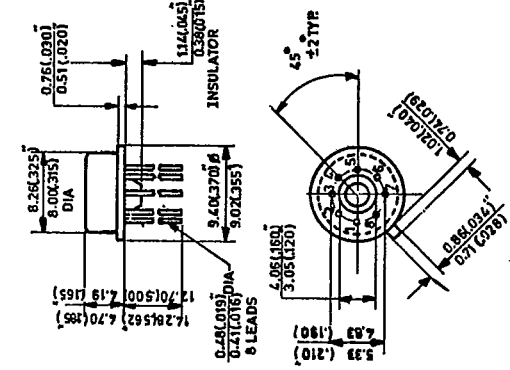
2N404	0.150	25	24*	12	200	30/-	0.15/12	5	4	20	TO-5
2N404A	0.150	40	35*	25	200	30/-	0.15/12	5	4	20	TO-5
2N1303	0.150	30	-	25	300	20/-	1/10	6	3	20	TO-5
2N1305	0.150	30	-	25	300	40/200	1/10	6	5	20	TO-5
2N1307	0.150	30	-	25	300	60/300	1/10	6	10	20	TO-5
2N1309	0.150	30	-	25	300	80/-	1/10	6	15	20	TO-5

* V_{CEX}

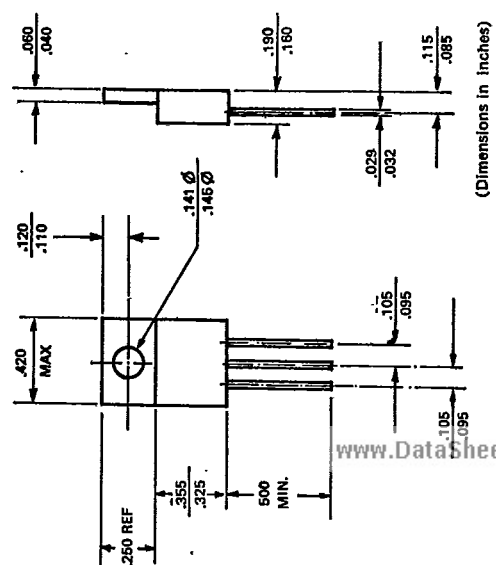
TO-96



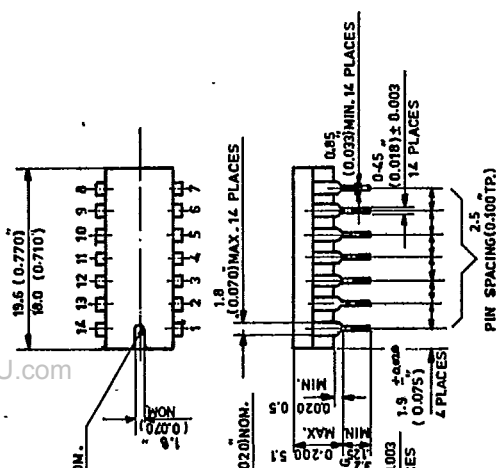
TO-99



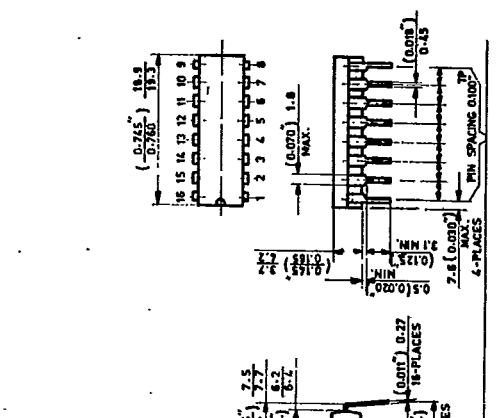
TO-220



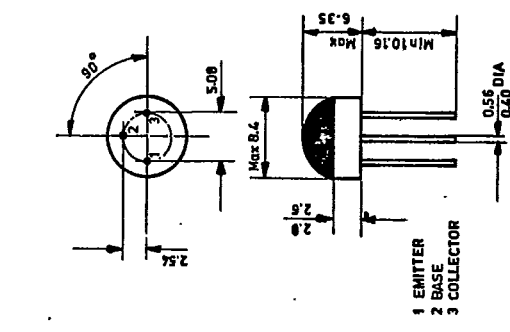
14 pin DIP



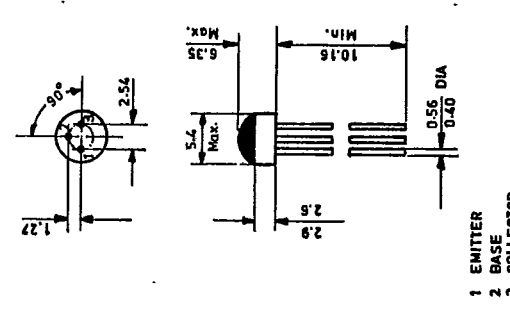
16 pin DIP



TO-105



TO-106



Note :Dimensions in mm unless otherwise specified