

**AXW SERIES**
**◆FEATURES**

- Load Life : 105°C 2000 hours.
- Body diameter of  $\phi$  10mm to  $\phi$  18mm with high ripple current capability.
- This series is two classes smaller than the current MXW series.
- RoHS compliance.


**◆SPECIFICATIONS**

Items	Characteristics								
Category Temperature Range	-25~+105°C								
Rated Voltage Range	200~450V.DC								
Capacitance Tolerance	±20% (20°C, 120Hz)								
Leakage Current(MAX)	$I=3\sqrt{CV}$ (After 5 minutes application of rated voltage) $I$ =Leakage Current( $\mu$ A) $C$ =Rated Capacitance( $\mu$ F) $V$ =Rated Voltage(V)								
Dissipation Factor(MAX) (tan $\delta$ )	<table border="1"> <thead> <tr> <th>Rated Voltage (V)</th> <th>200~250</th> <th>400</th> <th>420~450</th> </tr> </thead> <tbody> <tr> <td>tan <math>\delta</math></td> <td>0.12</td> <td>0.15</td> <td>0.2</td> </tr> </tbody> </table> (20°C, 120Hz)	Rated Voltage (V)	200~250	400	420~450	tan $\delta$	0.12	0.15	0.2
Rated Voltage (V)	200~250	400	420~450						
tan $\delta$	0.12	0.15	0.2						
Endurance	After applying rated voltage with rated ripple current for 2000hrs at 105°C, the capacitors shall meet the following requirements. <table border="1"> <tbody> <tr> <td>Capacitance Change</td> <td>Within ±20% of the initial value.</td> </tr> <tr> <td>Dissipation Factor</td> <td>Not more than 200% of the specified value.</td> </tr> <tr> <td>Leakage Current</td> <td>Not more than the specified value.</td> </tr> </tbody> </table>	Capacitance Change	Within ±20% of the initial value.	Dissipation Factor	Not more than 200% of the specified value.	Leakage Current	Not more than the specified value.		
Capacitance Change	Within ±20% of the initial value.								
Dissipation Factor	Not more than 200% of the specified value.								
Leakage Current	Not more than the specified value.								
Impedance Ratio(MAX)	<table border="1"> <thead> <tr> <th>Rated Voltage (V)</th> <th>200~250</th> <th>400~450</th> </tr> </thead> <tbody> <tr> <td>Z(-25°C)/Z(20°C)</td> <td>3</td> <td>8</td> </tr> </tbody> </table> (120Hz)	Rated Voltage (V)	200~250	400~450	Z(-25°C)/Z(20°C)	3	8		
Rated Voltage (V)	200~250	400~450							
Z(-25°C)/Z(20°C)	3	8							

**◆MULTIPLIER FOR RIPPLE CURRENT**

Frequency coefficient

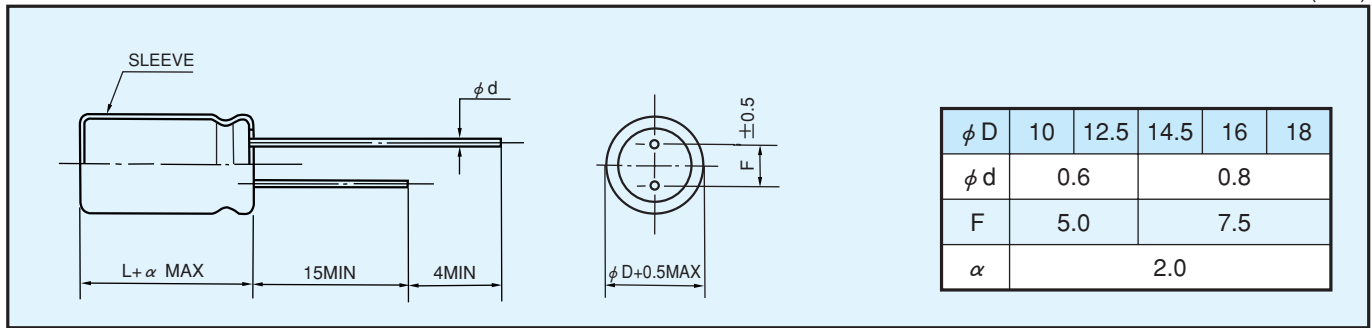
Frequency (Hz)	60(50)	120	500	1k	10k $\leq$
Coefficient					
200~250WV	0.8	1.0	1.20	1.30	1.40
400~450WV	0.8	1.0	1.25	1.40	1.50

**◆PART NUMBER**

□□□	AXW	□□□□□	□	□□□	□□	D×L
Rated Voltage	Series	Rated Capacitance	Capacitance Tolerance	Option	Lead Forming	Case Size

**◆ DIMENSIONS**

(mm)


**◆ STANDARD SIZE, RATED RIPPLE CURRENT**

Cap ( $\mu F$ )	WV $\phi D$	200					220				
		$\phi 10$	$\phi 12.5$	$\phi 14.5$	$\phi 16$	$\phi 18$	$\phi 10$	$\phi 12.5$	$\phi 14.5$	$\phi 16$	$\phi 18$
56							10×30; 0.29				
68	10×30; 0.35						10×35; 0.33				
82	10×35; 0.40						10×40; 0.37				
100	10×40; 0.46							12.5×30; 0.43			
120		12.5×30; 0.53						12.5×35; 0.49			
150		12.5×35; 0.62						12.5×40; 0.58	14.5×30; 0.58		
180		12.5×40; 0.70	14.5×30; 0.66					14.5×35; 0.68	16×30; 0.67		
220			14.5×35; 0.80	16×30; 0.76	18×30; 0.81			14.5×40; 0.78	16×35; 0.77	18×30; 0.77	
270			14.5×40; 0.90	16×35; 0.88	18×30; 0.87				16×40; 0.88	18×35; 0.88	
330				16×40; 1.10	18×35; 1.01					18×40; 1.01	
390					18×40; 1.13					18×45; 1.13	
470					18×45; 1.27						

Cap ( $\mu F$ )	WV $\phi D$	250					400				
		$\phi 10$	$\phi 12.5$	$\phi 14.5$	$\phi 16$	$\phi 18$	$\phi 10$	$\phi 12.5$	$\phi 14.5$	$\phi 16$	$\phi 18$
22							10×30; 0.21				
27							10×35; 0.24				
33							10×40; 0.28				
39								12.5×30; 0.32			
47	10×30; 0.27							12.5×35; 0.37			
56	10×35; 0.30							12.5×40; 0.42	14.5×30; 0.42		
68	10×40; 0.35								14.5×35; 0.48		
82		12.5×30; 0.40							14.5×35; 0.52	16×30; 0.50	
100		12.5×35; 0.46								16×35; 0.58	18×30; 0.58
120		12.5×40; 0.53	14.5×30; 0.53							16×40; 0.66	18×35; 0.67
150			14.5×35; 0.62	16×30; 0.62							18×40; 0.77
180			14.5×40; 0.72	16×35; 0.72	18×30; 0.72						18×45; 0.88
220				16×40; 0.83	18×35; 0.83						
270					18×40; 0.95						
330					18×45; 1.07						

Cap ( $\mu F$ )	WV $\phi D$	420					450				
		$\phi 10$	$\phi 12.5$	$\phi 14.5$	$\phi 16$	$\phi 18$	$\phi 10$	$\phi 12.5$	$\phi 14.5$	$\phi 16$	$\phi 18$
15							10×30; 0.15				
18	10×30; 0.17						10×35; 0.18				
22	10×35; 0.20						10×40; 0.21				
27	10×40; 0.23							12.5×30; 0.25			
33		12.5×30; 0.27						12.5×35; 0.28			
39		12.5×35; 0.31						12.5×40; 0.32	14.5×30; 0.32		
47		12.5×40; 0.36	14.5×30; 0.36						14.5×35; 0.38	16×30; 0.38	
56			14.5×35; 0.43	16×30; 0.43					14.5×40; 0.44	16×35; 0.44	
68			14.5×40; 0.51	16×35; 0.51	18×30; 0.51					16×40; 0.49	18×30; 0.48
82				16×40; 0.57	18×30; 0.57						18×35; 0.55
100					18×35; 0.61						18×40; 0.65
120					18×40; 0.66						18×45; 0.74

Please check with us about individual WV, Cap., size and dimensions.

Size  $\phi D \times L$ (mm) ↑  
 Ripple Current (A r.m.s./105°C, 120Hz) ↑