

NPN SILICON RF POWER TRANSISTOR

DESCRIPTION:

The **ASI UMIL20** is a Common Emitter Device Designed for Class A , AB and C Amplifier Applications in the 225 to 400 MHz Military Communications Band.

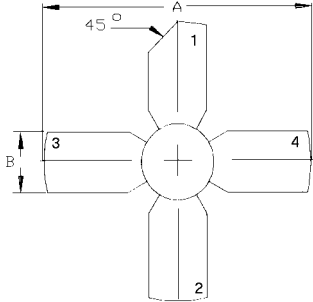
FEATURES:

- Direct Replacement for **MRF323**
- $P_G = 12$ dB Typical at 400 MHz
- **Omnigold™** Metalization System

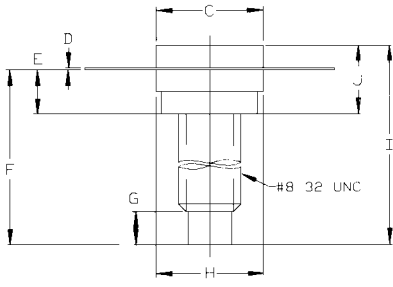
MAXIMUM RATINGS

I_C	2.5 A
V_{CB0}	65 V
P_{DISS}	35 W @ T _C = 25 °C
T_J	-65 °C to +200 °C
T_{STG}	-65 °C to +150 °C
q_{JC}	5.0 °C/W

PACKAGE STYLE .280 4L STUD



	MINIMUM Inches/mm	MAXIMUM Inches/mm
A	1.010/25,65	1.055/26,80
B	.220/5,59	.230/5,84
C	.270/6,86	.285/7,24
D	.003/0,08	.007/0,18
E	.117/2,97	.137/3,48
F	.5/2/14,53	
G	.130/3,30	
H	.275/6,99	.285/7,24
I	.640/16,26	
J	.175/4,45	.21/7,51



1 = Collector 2 = Base
3 & 4 = Emitter

ORDER CODE: ASI10494

CHARACTERISTICS T_C = 25 °C

SYMBOL	TEST CONDITIONS	MINIMUM	TYPICAL	MAXIMUM	UNITS
BV_{CB0}	I _C = 20 mA	65			V
BV_{CER}	I _C = 20 mA R _{BE} = 200 Ω	33			V
BV_{EBO}	I _E = 20 mA	3.5			V
I_{CB0}	V _{CB} = 30 V			2.0	mA
h_{FE}	V _{CE} = 5 V I _C = 1.0 A	20		200	---
C_{OB}	V _{CB} = 28 V f = 1.0 MHz			20	pF
P_G	V _{CE} = 28 V P _{OUT} = 20 W f = 400 MHz	10	12		dB
h_C		50			%