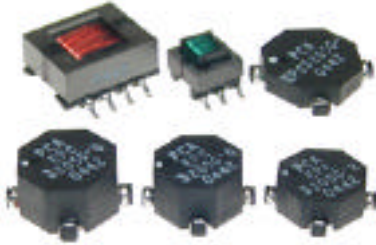


# Photoflash Flyback Transformer

## EPC3205G-X & EPC3205G-X-LF

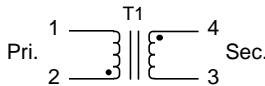


- Used as Flyback Transformer in High Voltage Photoflash Capacitor Charger
- Designed for use with Linear Technology Chip
- Add “-LF” after part number for Lead Free
- Operating Temperature : -40°C to +85°C
- UL 94V-0 Recognized Components
- UL 1446 Class B Insulation System
- Isolation : 500 Vrms

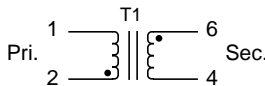
### Electrical Parameters @ 25° C

PCA Part Number	Chipset	Voltage (Vdc)		Primary Peak Current (A Max.)	Turns Ratio Pri:Sec	Primary OCL @ 0Adc (μH ± 15%) @ 100 KHz, 0.1 Vrms	Leakage Inductance (μH Typ.) @ 100 KHz, 0.1 Vrms	DCR ( Max.)		Package/ Schematic
		V in	V out					Pri.	Sec.	
EPC3205G-1(-LF)	LT3468-1	2.5-5.0	320	0.7	1:10.2	20.0	.200	.300	25	A/1
EPC3205G-2(-LF)	LT3468	2.5-5.0	320	1.4	1:10.2	12.3	.130	.230	21	B/1
	LT3468-2	2.5-5.0	320	1.0	1:10.2	12.3	.130	.230	21	B/1
EPC3205G-3(-LF)	LT3468	2.5-4.0	320	1.4	1:10.2	10.0	.200	.250	25	F/2
EPC3205G-4(-LF)	LT3468-2	2.5-5.0	320	1.0	1:10.2	10.0	.300	.300	33	F/2
EPC3205G-5(-LF)	LT3468-1	2.5-5.0	320	0.7	1:10.2	15.0	.300	.300	33	F/2
EPC3205G-6(-LF)	LT3420	1.8-5.0	320	1.4	1:12	25.0	.130	.160	18	C/1
EPC3205G-7(-LF)	LT3420	1.8-6.0	320	1.4	1:12	24.0	.080	.160	18	E/3
EPC3205G-8(-LF)	LT3420-1	1.8-5.0	320	1.0	1:10.2	15.0	.100	.230	18	D/1

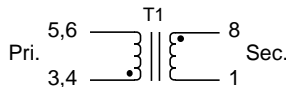
### Schematic 1



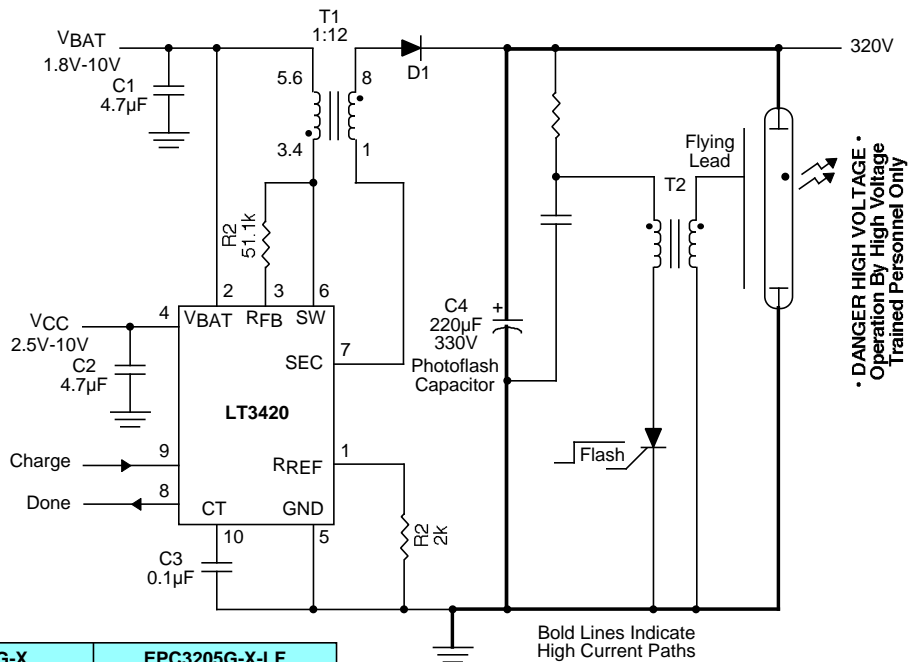
### Schematic 2



### Schematic 3



### LT3420 320V Photoflash Capacitor Charging Circuit



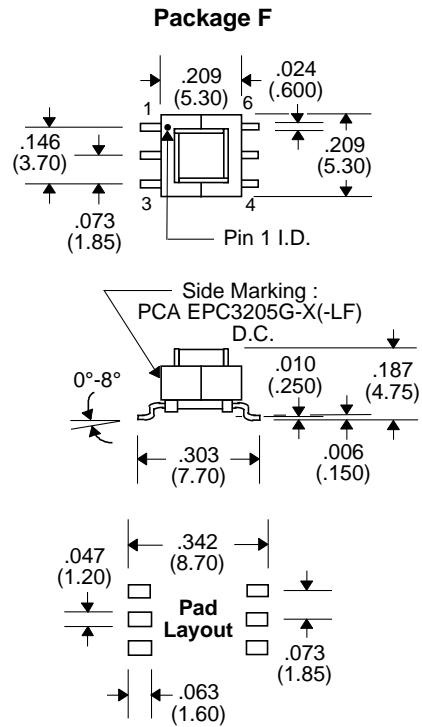
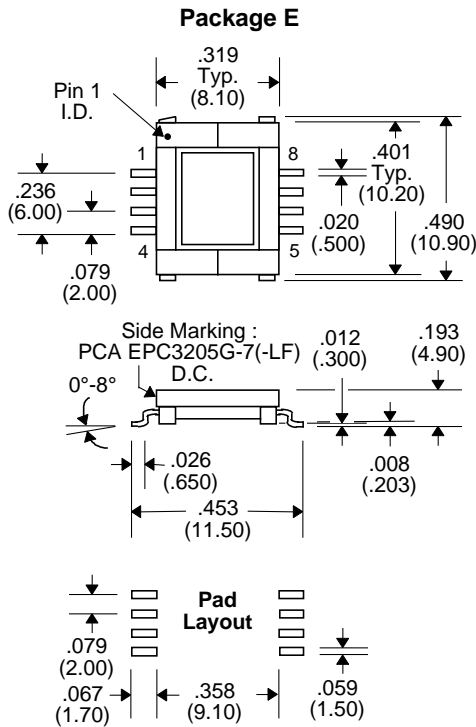
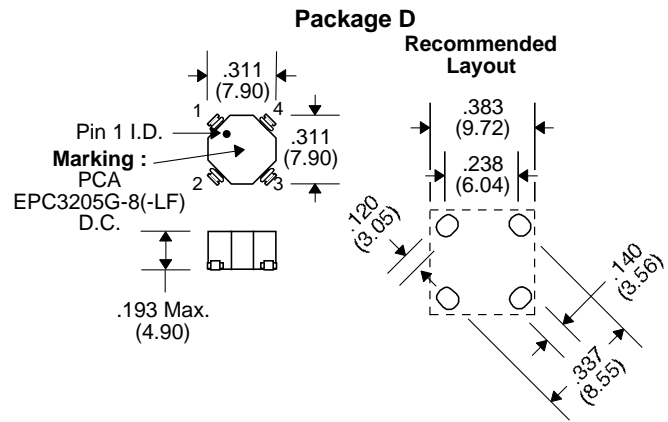
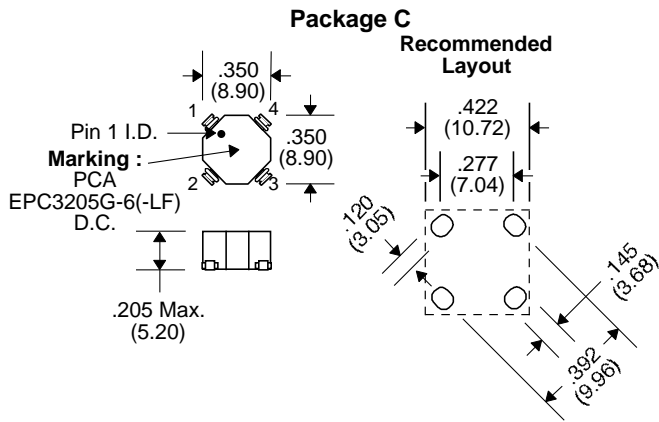
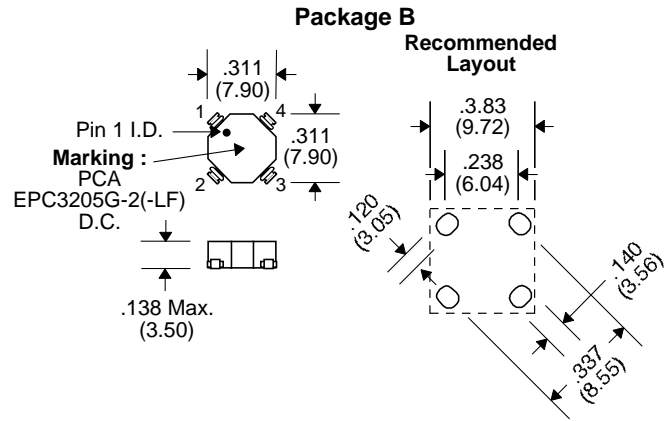
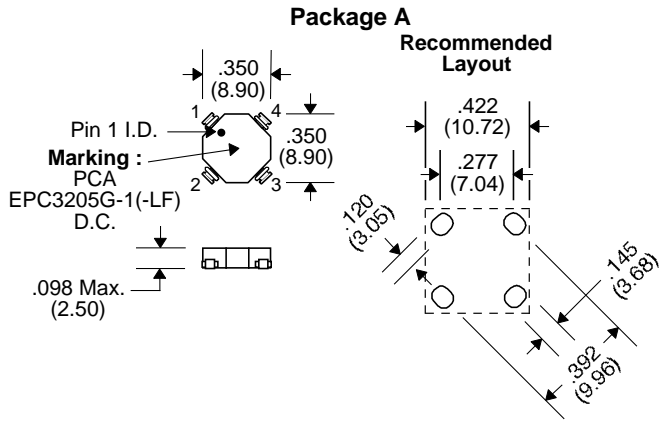
Notes :	EPC3205G-X	EPC3205G-X-LF
1. Assembly Process (Solder Composition)	SnPb	Pb-Free
2. Peak Solder Rating (per IPC/JEDEC-J-STD-020C)	225°C	260°C
3. Moisture Sensitive Levels (MSL) (per IPC/JEDEC-J-STD-020C)	1 (Unlimited, 30°C/60%RH)	1 (Unlimited, 30°C/60%RH)
4. Weight	TBD grams	TBD grams
5. Packaging Information (Tube)	TBD pcs / tube	TBD pcs / tube

Package Drawings Next Page

Unless Otherwise Specified Dimensions are in Inches /mm ± .010 / .25

# Photoflash Flyback Transformer

## EPC3205G-X & EPC3205G-X-LF



Unless Otherwise Specified Dimensions are in Inches /mm ± .010 /.25