

Silicon NPN Power Transistors

BUH713

DESCRIPTION

www.datasheet4u.com

- With TO-3PML package
- High voltage,high speed

APPLICATIONS

- Horizontal deflection for colour TV's and monitors.
- Switching mode power supplies

PINNING

PIN	DESCRIPTION
1	Base
2	Collector
3	Emitter

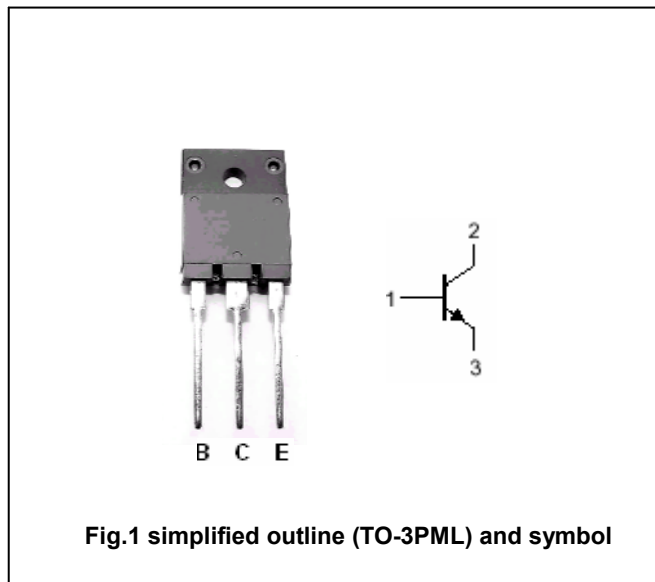


Fig.1 simplified outline (TO-3PML) and symbol

Absolute maximum ratings(Ta=25°C)

SYMBOL	PARAMETER	CONDITIONS	VALUE	UNIT
V _{CBO}	Collector-base voltage	Open emitter	1300	V
V _{CEO}	Collector-emitter voltage	Open base	700	V
V _{EBO}	Emitter-base voltage	Open collector	10	V
I _C	Collector current (DC)		10	A
I _{CM}	Collector current (Pulse)		20	A
I _B	Base current (DC)		5	A
I _{BM}	Base current (Pulse)		10	A
P _{tot}	Total power dissipation	T _C =25°C	57	W
T _j	Operating junction temperature		150	°C
T _{stg}	Storage temperature		-65~150	°C

THERMAL CHARACTERISTICS

SYMBOL	PARAMETER	MAX	UNIT
R _{th j-c}	Thermal resistance from junction to case	2.2	°C/W

Silicon NPN Power Transistors

BUH713

CHARACTERISTICS

T_j=25°C unless otherwise specified

www.datasheet4u.com

SYMBOL	PARAMETER	CONDITIONS	MIN	TYP.	MAX	UNIT
V _{CEO(sus)}	Collector-emitter sustaining voltage	I _C =100mA	700			V
V _{EBO}	Emitter-base breakdown voltage	I _E =10mA	10			V
V _{CEsat}	Collector-emitter saturation voltage	I _C =7A ; I _B =1.5A			1.5	V
V _{BEsat}	Base-emitter saturation voltage	I _C =7A ; I _B =1.5A			1.3	V
I _{CES}	Collector cut-off current	V _{CE} =1300V; V _{BE} =0 T _j =125°C			1 2	mA
I _{EBO}	Emitter cut-off current	V _{EB} =5V; I _C =0			100	μA
h _{FE}	DC current gain	I _C =7A ; V _{CE} =5V	8			

Switching times

t _s	Storage time	I _C =7A; I _{B1} =1.5A; I _{B2} =3.5A; V _{CC} =400V		2.1	3.1	μs
t _f	Fall time			140	210	ns

Silicon NPN Power Transistors

BUH713

PACKAGE OUTLINE

www.datasheet4u.com

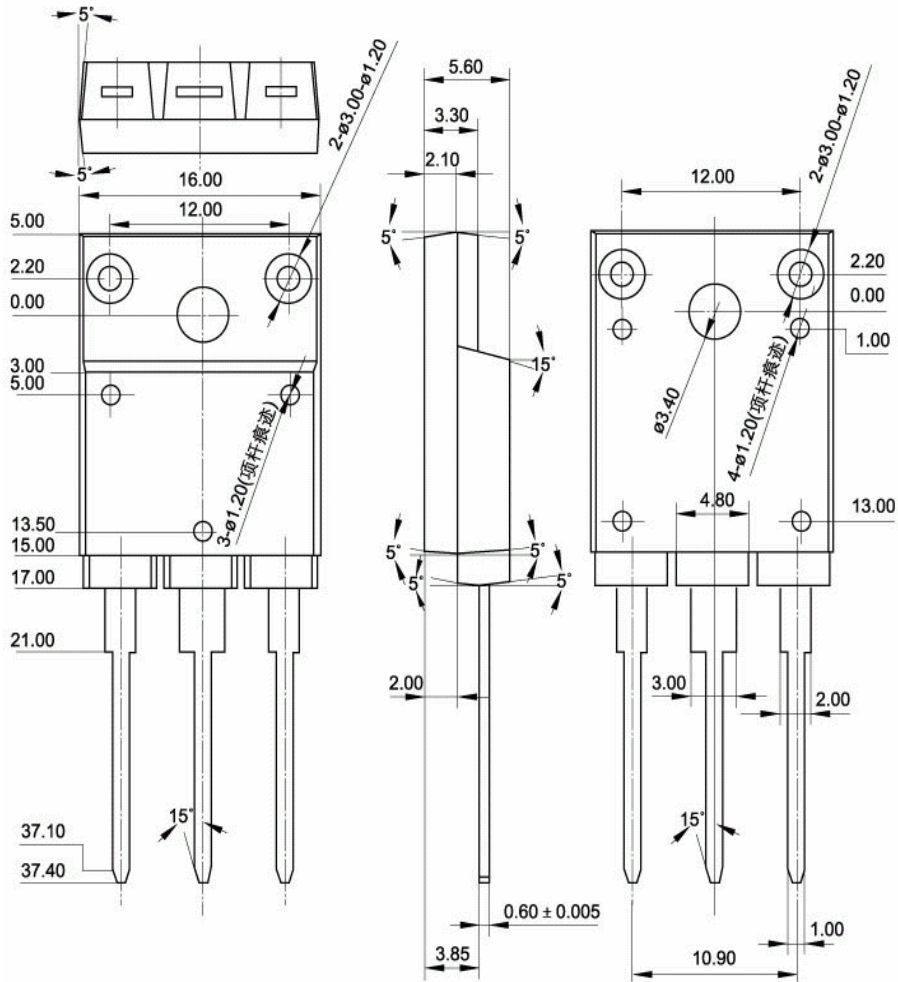


Fig.2 Outline dimensions