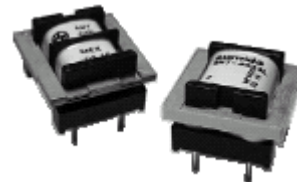
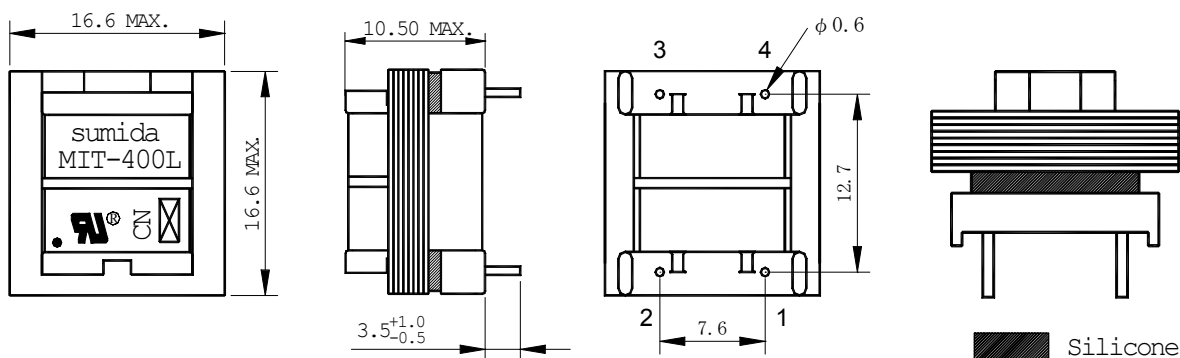
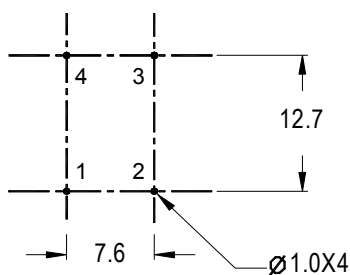
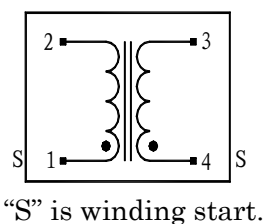


Type: MT1610A/MT1610B/MT1610C
◆ Product Description

- 16.6×16.6mm Max.(L×W),10.5mm Max. (MT1610C:11.7mm Max.)Height.
- Operating frequency: 4MHz Max.


◆ Feature

- International safety standard approved for reinforced isolation.
- Silicone Steel is used.
- Ideally used in set-top box,FAX,MODEM.
- V.92(56kbps) to V.32bis(14.4kbps).
- RoHS Compliance.

◆ Dimensions (mm)

◆ Land Pattern (mm)

◆ Schematics(Bottom)

◆ Specification

| Part Name | Type | Speed | Impedance(Ω) PRI:SEC | THD@600Hz (dB) | IL(dB) | RL(dB) | D.C.R.(Ω) PRI:SEC |
|-----------|---------|---------|----------------------------------|-------------------|--------|--------|-------------------------------|
| MIT4033L | MT1610A | V.92 | 600:420 | -85 | 1.90 | 20 | 82:106 |
| MIT2050L | MT1610B | V.92 | 600:560 | -87 | 1.55 | 17 | 70:70 |
| MIT250L | MT1610B | V.34 | 600:560 | -84 | 1.55 | 17 | 70:70 |
| MIT400L | MT1610B | V.32bis | 600:600 | -62 | 1.80 | 14 | 70:70 |
| MIT4211 | MT1610C | V.92 | 600:560 | -85 | 1.50 | 18 | 67:67 |
| MIT4212 | MT1610C | V.32 | 600:560 | -65 | 2.00 | 14 | 67:67 |