



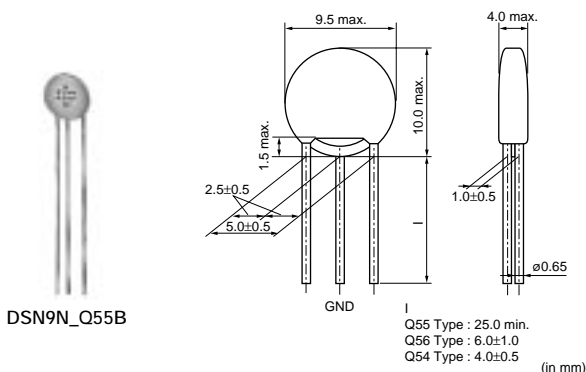
# On-Board Type (DC) EMI Suppression Filters (EMIFIL®)



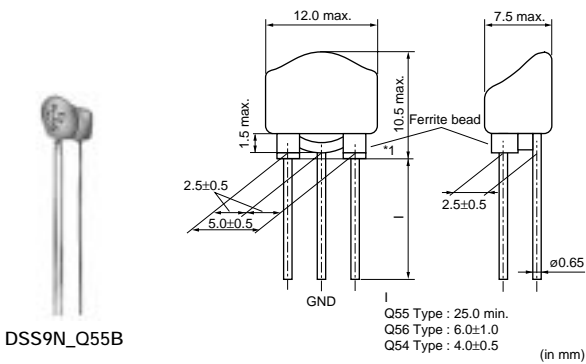
## Disc Type EMIFIL® Broad Type DSN9/DSS9/DST9 Series

### ■ Features

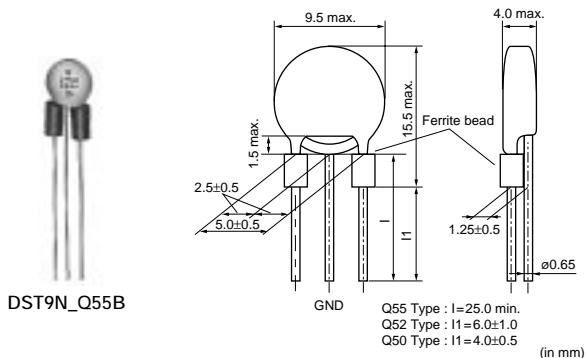
DS\_9 is a basic type EMI suppression filter which can obtain high insertion loss in a wide frequency range. Its three terminal structure enables nice high frequency performance. DSS9NP32A222/DSS9NT31H223 are lost distortion types for audio circuits.



DSN9\_Q55B



DSS9N\_Q55B



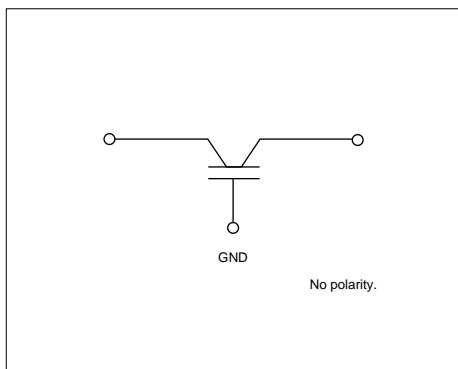
DST9N\_Q55B

\*1 Bottom of the ferrite beads may not be level with each other.

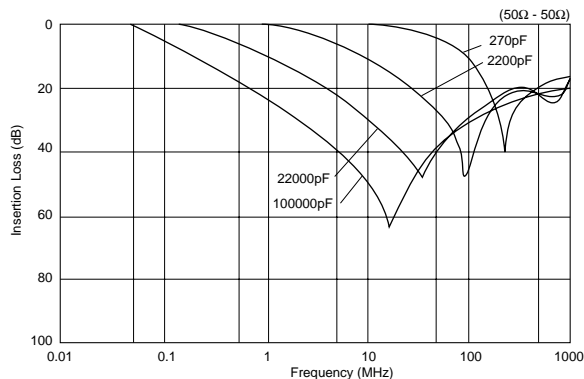
### DSN9 Series

Part Number	Capacitance (pF)	Rated Voltage (Vdc)	Rated Current (A)	Operating Temperature Range (°C)
DSN9NC52A271	270 +20%,-20%	100	7	-25 to +85
DSN9NC52A222	2200 +20%,-20%	100	7	-25 to +85
DSN9NC51H223	22000 +50%,-20%	50	7	-25 to +85
DSN9NC51C104	100000 +20%,-20%	16	7	-25 to +85

### ■ Equivalent Circuit



### ■ Insertion Loss Characteristics (Typical)



## Built-in Ferrite Beads DSS9 Series

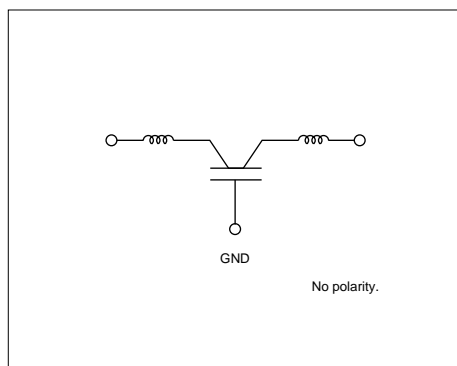
Part Number	Capacitance (pF)	Rated Voltage (Vdc)	Rated Current (A)	Operating Temperature Range (°C)
DSS9NC52A220	22 +20%, -20%	100	7	-25 to +85
DSS9NC52A470	47 +20%, -20%	100	7	-25 to +85
DSS9NC52A101	100 +20%, -20%	100	7	-25 to +85
DSS9NC52A271	270 +20%, -20%	100	7	-25 to +85
DSS9NC52A222	2200 +20%, -20%	100	7	-25 to +85
DSS9NP32A222	2200 +20%, -20%	100	7	-25 to +85
DSS9NC51H223	22000 +50%, -20%	50	7	-25 to +85
DSS9NT31H223	22000 +50%, -20%	50	7	-25 to +85

Rated current is 6A for taping type.

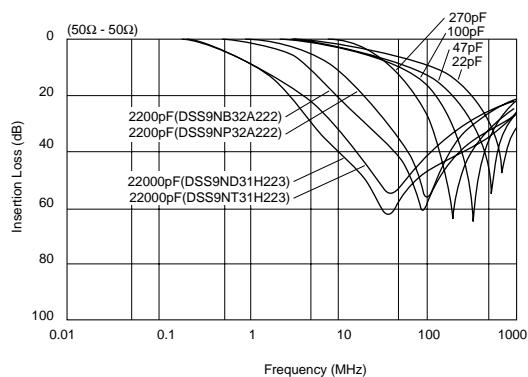
DSS9NP32A222/DSS9NT31H223 are low distortion types for audio IF circuits.

Please refer to Part Numbering for Type and Length of Lead.

### Equivalent Circuit



### Insertion Loss Characteristics (Typical)



4

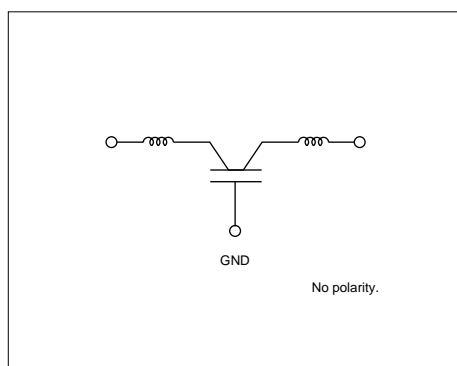
## With Ferrite Beads DST9 Series

Part Number	Capacitance (pF)	Rated Voltage (Vdc)	Rated Current (A)	Operating Temperature Range (°C)
DST9NC52A271	270 +20%, -20%	100	7	-25 to +85
DST9NC52A222	2200 +20%, -20%	100	7	-25 to +85
DST9NC51H223	22000 +50%, -20%	50	7	-25 to +85

Rated current is 6A for taping type.

Please refer to Part Numbering for Type and Length of Lead.

### Equivalent Circuit



### Insertion Loss Characteristics (Typical)

