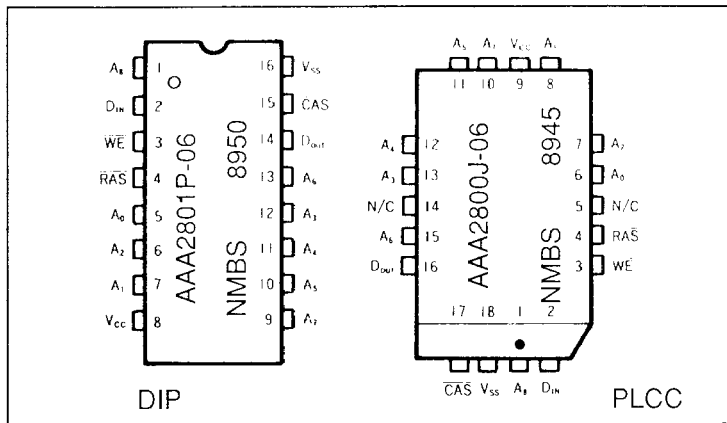


# 256K x 1 DRAM

## FEATURES

- Industry Standard Pinouts
- 60, 70 or 80ns RAS Access Time (tRAC)
- Static Column or Enhanced Page Mode
- RAS-Only Refresh, Hidden Refresh and CAS-before-RAS Refresh
- Commercial Voltage/Temperature Range
  - 4.5 - 5.5 Volts Vcc
  - 0 - 70°C Operating Temperature
- Packages - 16 Pin 300 mil PDIP  
18 Pin PLCC



## AAA2800 SERIES

Part Number	tRAC <sup>1</sup>	tCAC <sup>2</sup>	tAA <sup>3</sup> (tCAA)	tRC <sup>4</sup>	tPC <sup>5</sup>	Icc <sup>6</sup> (Standby)	Icc <sup>7</sup> (Active)	Refresh <sup>8</sup> (tREF)
<b>256K x 1 - STATIC COLUMN MODE</b>								
AAA2800X-06	60ns	11ns	32ns	121ns	35ns	2.5mA	75mA	4.4ms
AAA2800X-07	70ns	12ns	35ns	136ns	40ns	2.5mA	70mA	4.4ms
AAA2800X-08	80ns	13ns	40ns	151ns	45ns	2.5mA	65mA	4.4ms
<b>256K x 1 - ENHANCED PAGE MODE</b>								
AAA2801X-06	60ns	11ns	32ns	121ns	37ns	2.5mA	75mA	4.4ms
AAA2801X-07	70ns	12ns	35ns	136ns	41ns	2.5mA	70mA	4.4ms
AAA2801X-08	80ns	13ns	40ns	151ns	46ns	2.5mA	65mA	4.4ms

### NOTES:

- tRAC defines maximum RAS Access Time.
- tCAC defines maximum CAS Access Time.
- tAA (alternatively tCAA) defines maximum Column Address Access Time.
- tRC defines minimum Read or Write Cycle Time.
- tPC defines minimum Enhanced Page Mode or Static Column Mode Cycle Time.
- Icc (Standby) defines maximum Vcc supply current with RAS ≥ Vcc - 0.4V, other inputs at CMOS levels, 4.5 ≤ Vcc ≤ 5.5V and 0°C ≤ Ta ≤ 70°C.
- Icc (Active) defines maximum Vcc supply current under normal operation with tRC = tRC min., 4.5 ≤ Vcc ≤ 5.5 volts and 0°C ≤ Ta ≤ 70°C.
- tREF defines the Refresh Interval during which all internal rows (256) must be refreshed.

## ORDERING INFORMATION:

### AAA280XX - XX

