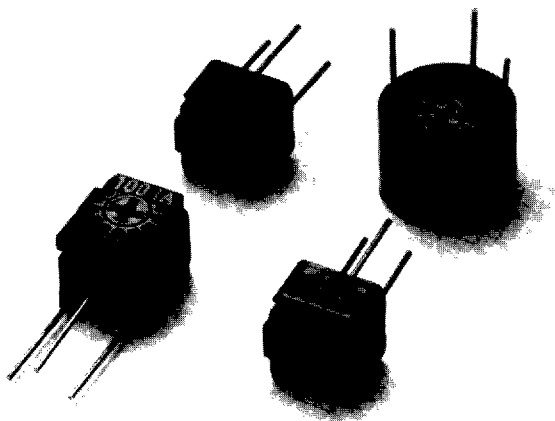


Model CT-6

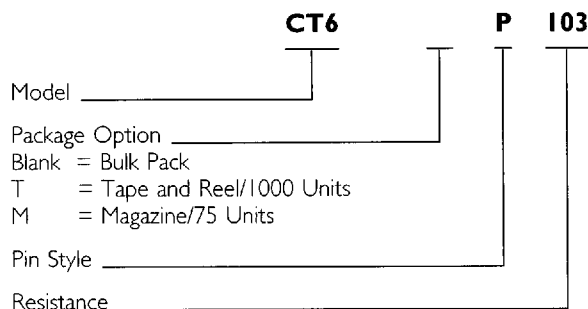
Single Turn Trimming Potentiometer 6 mm Square, Cermet



Features

- Sealed to Allow for Automatic Processing
- Precious Metal Alloy Contact
- Highly Automated Assembly
- Bulk or Tape and Reel Packaging

Part Number



Marking

Units Marked With Resistance Code and 2 Digit Date Code

**Standard Resistance
Values and Codes**

Ω	Code	Ω	Code
10	100	20 K	203
20	200	25 K	253
50	500	50 K	503
100	101	100 K	104
200	201	200 K	204
500	501	250 K	254
1 K	102	500 K	504
2 K	202	1 M	105
5 K	502	2 M	205
10 K	103		

SPECIFICATIONS

Electrical

Resistance Range	: 10 Ohms to 2 Meg. Ohms
Resistance Tolerance	: ± 10% Standard
Temp. Coeff. Of Resistance	: 50 Ohms to 2 Meg. ± 100 ppm, others ± 250 ppm.
Power Rating	: 1/2 Watt at 70°C
Operating Voltage Max.	: 200 VDC or Power Rating, whichever is less.
Wiper Current Max.	: 100 mA or power rating, whichever is less.
Electrical Angle, Nominal	: 220° Nominal.
Electrical Continuity	: Continuous over full mechanical range.
End Resistance	: 1% or 2 Ohms, whichever is greater.
Resolution	: Essentially infinite.
Contact Resistance Variation	: 1% or 3 Ohms, whichever is greater.
Operating Temp. Range	: -55°C to 125°C.
Insulation Resistance, Min.	: Min. 1000 Meg. at 500 VDC for 2 minutes.
Dielectric Strength	: 900 VAC rms, 1 minute, 1 milliamp max.

Mechanical

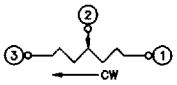
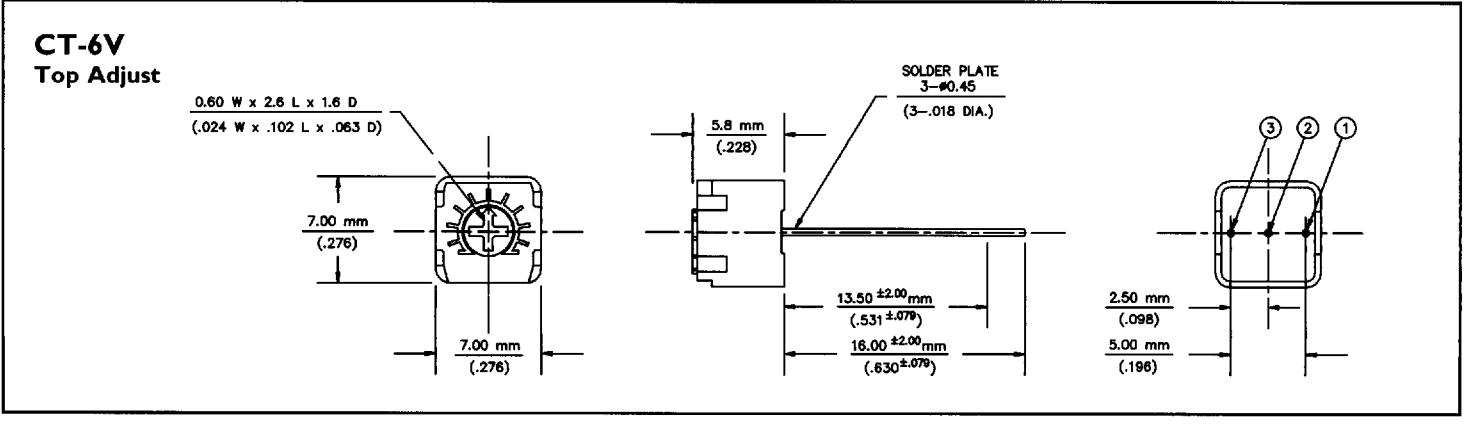
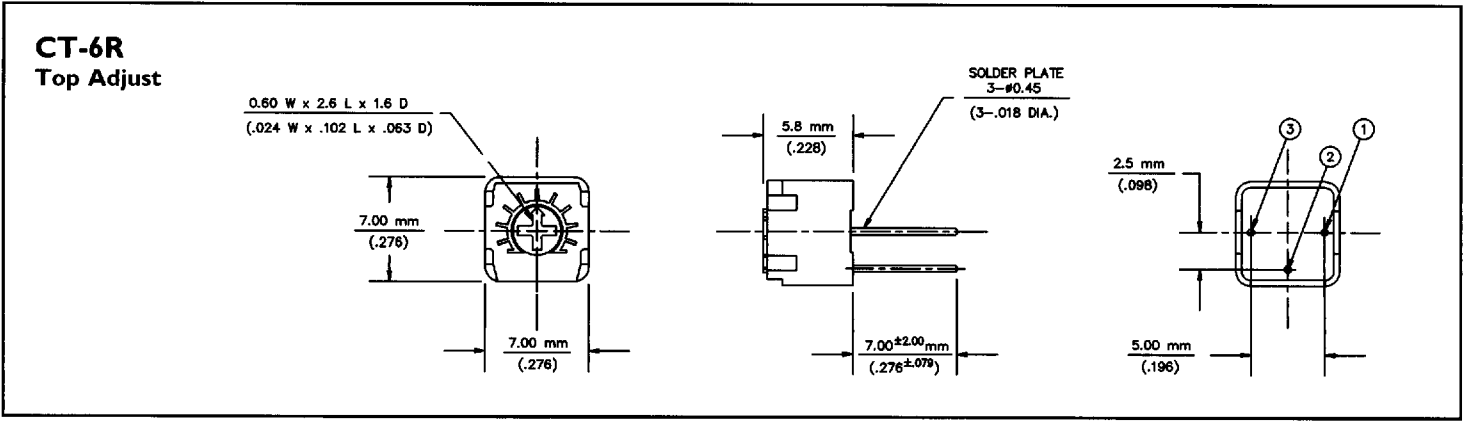
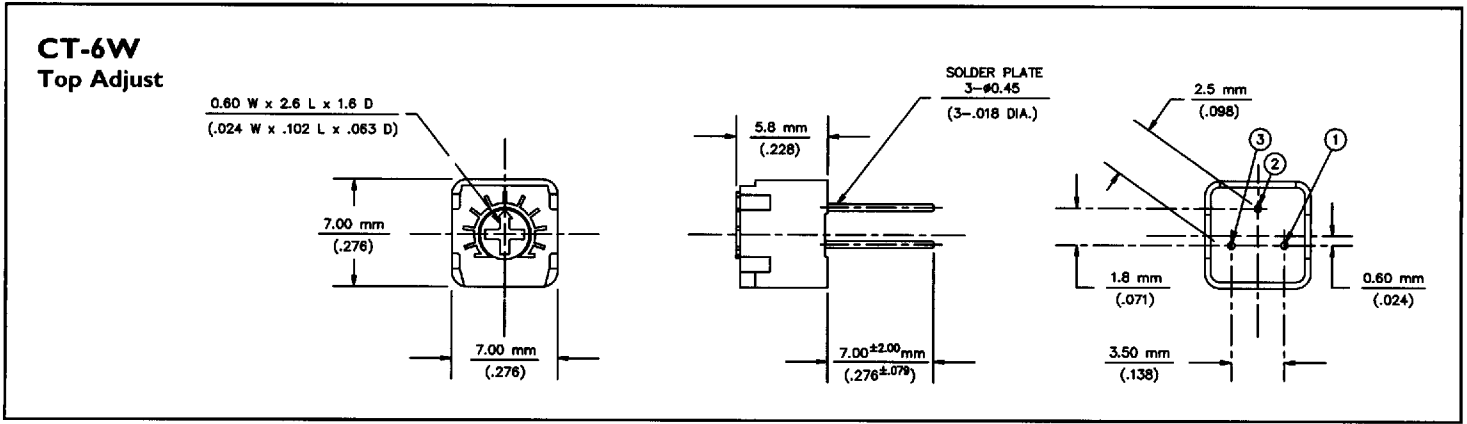
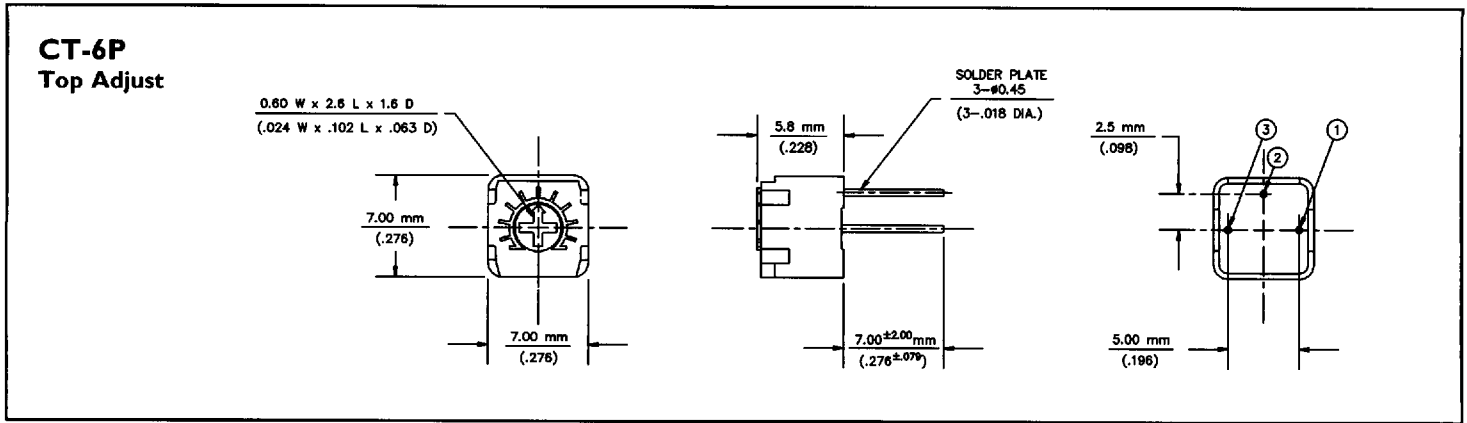
Mechanical Angle, Nominal	: 260° Nominal
Operating Torque	: 20 to 200 gram-cm (0.27 to 2.78 Oz-in.)
Stop Strength, Min.	: 500 gram-cm min. (6.94 Oz-in.)
Rotational Life	: 200 cycles (▲ R/R ≤ 2 Ohms +3%)
Solderability	: Mil-Std-202 Method 208
Terminal Strength, Min.	: 1 Kg

Environmental (MIL-R-22097)

Thermal Shock: (-65°C to 125°C)	▲ R/R ≤ 1.00% ▲ SS ≤ 1.00%
Humidity: (80 - 98% RH, 240 Hrs.)	▲ R/R ≤ 2.00%
Mech. Shock: (100 g)	▲ R/R ≤ 1.00% ▲ SS ≤ 1.00%
Vibration: (20 g, 10 to 2000 Hz.)	▲ R/R ≤ 1.00% ▲ SS ≤ 1.00%
Low Temp. Operation: (-55°C, 2 Hrs.)	▲ R/R ≤ 2.00% ▲ SS ≤ 2.00%
High Temp. Exposure: (125°C, 250 Hrs.)	▲ R/R ≤ 3.00% ▲ SS ≤ 2.00%
Load Life: (70°C, 0.50 W, 1000 Hrs.)	▲ R/R ≤ 3.00% ▲ SS ≤ 1.00%
Soldering Heat: (350°C, 3 Sec.)	▲ R/R ≤ 1.00%
Immersion:	Fluorocarbon Liquid, 85°C, 1 min. No Leaks

CT-6

Single Turn Sealed Cermet



Metric

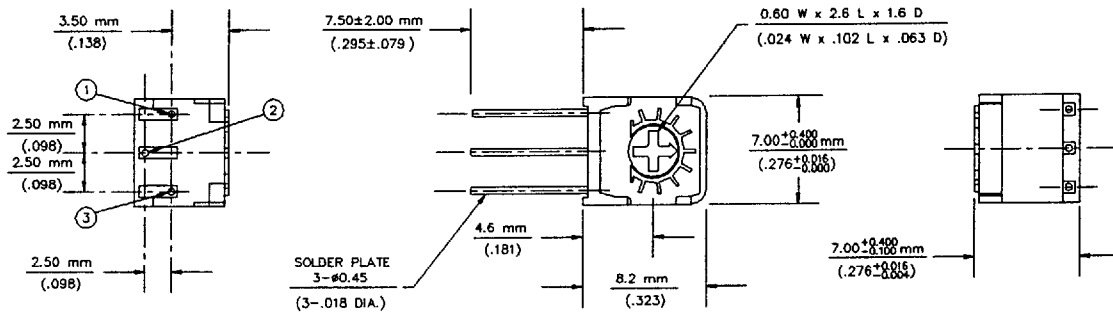
1. Dimensions are in millimeters (inches in parentheses are for reference only).
2. Tolerances unless otherwise specified +/- 0.30 mm (+/- .012 inches).
3. See packaging options on following pages for packaging dimensions.

D 12F ■ 9004121 0006307 091 ■

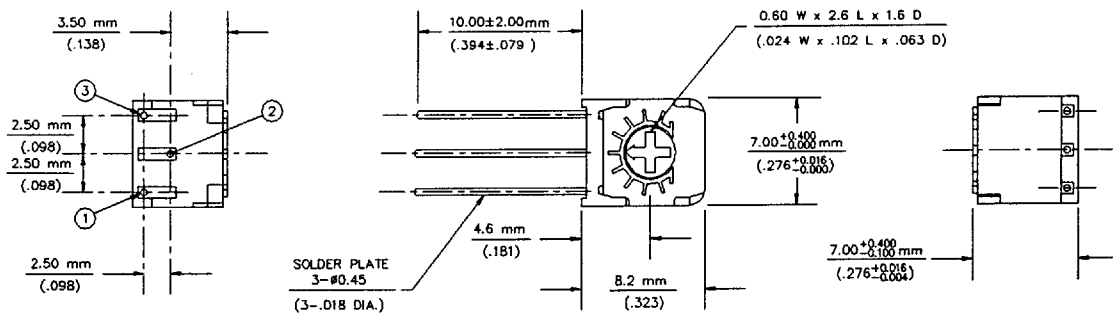
CT-6

Single Turn Sealed Cermet

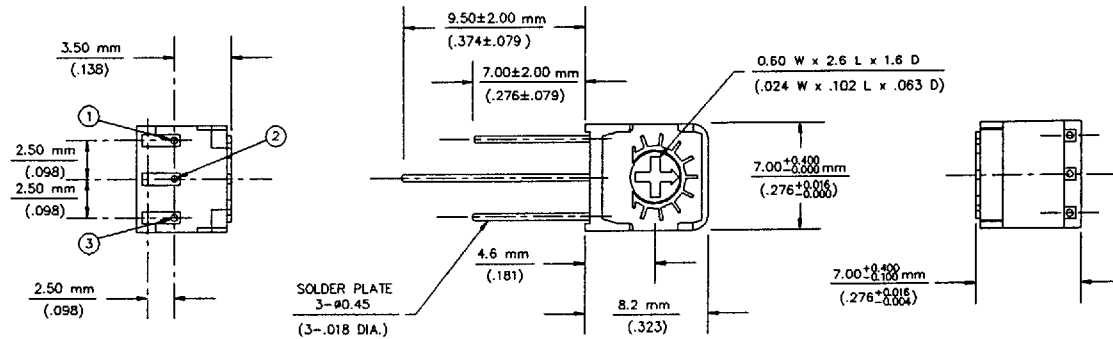
CT-6S Side Adjust



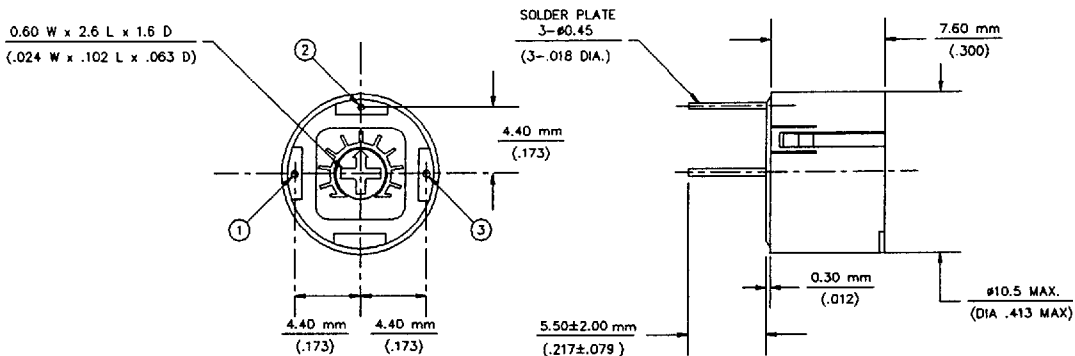
CT-6X Side Adjust



CT-6H Side Adjust

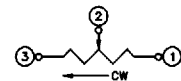


CT-6F Bottom Adjust



Metric

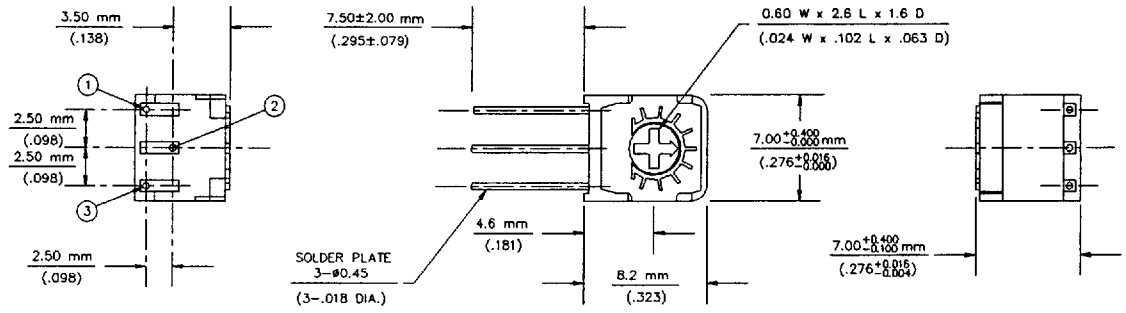
1. Dimensions are in millimeters (inches in parentheses are for reference only).
2. Tolerances unless otherwise specified +/- 0.30 mm (+/- .012 inches).
3. See packaging options on following pages for packaging dimensions.



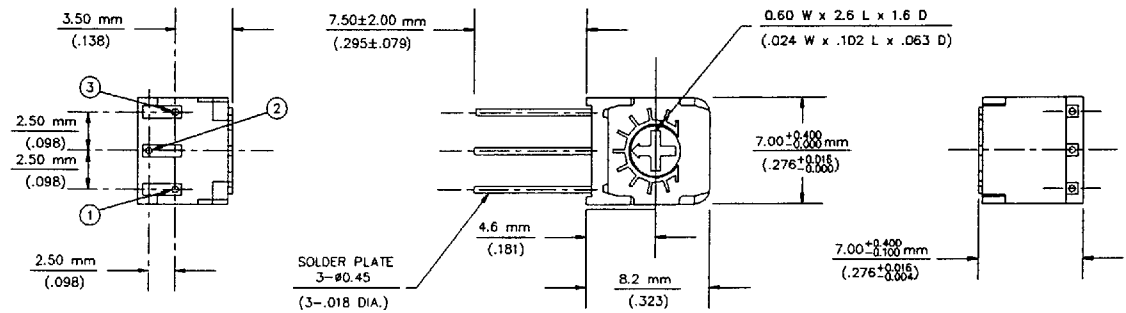
CT-6

Single Turn Sealed Cermet

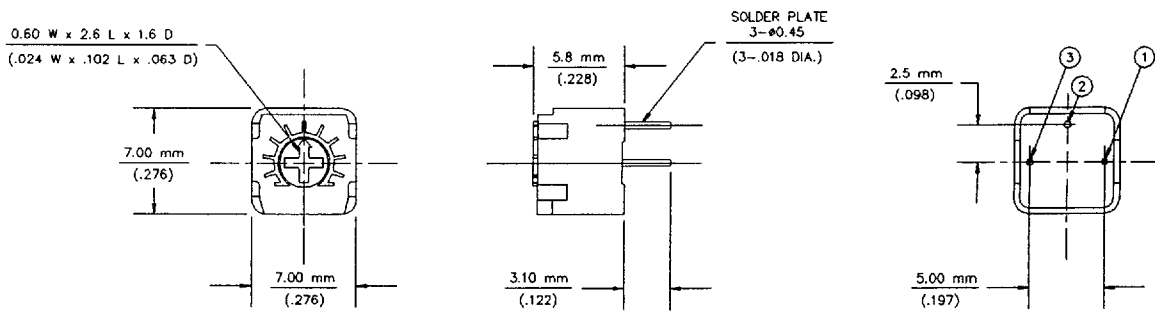
CT-6N Side Adjust



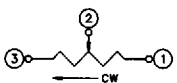
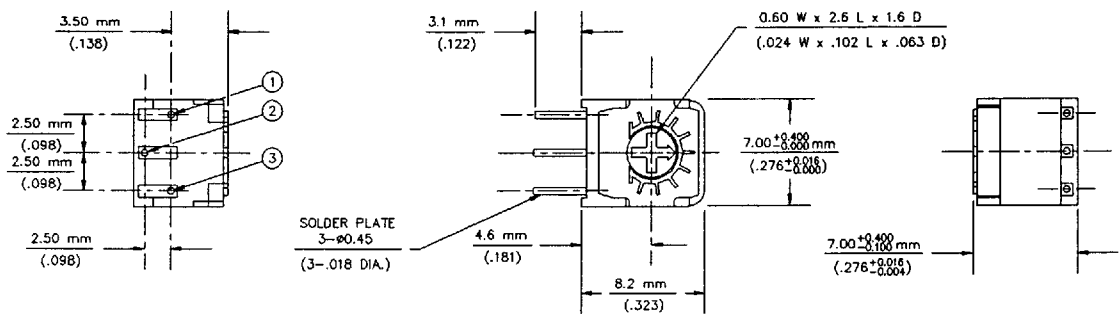
CT-6G Side Adjust Semi-Standard



CT-6MP Top Adjust Semi-Standard



CT-6MS Side Adjust Semi-Standard



Metric

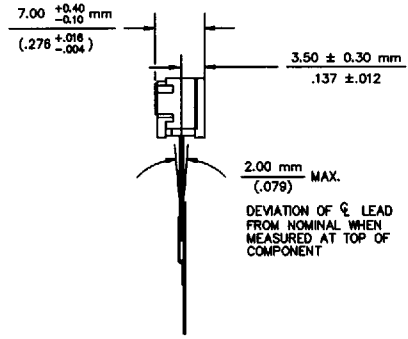
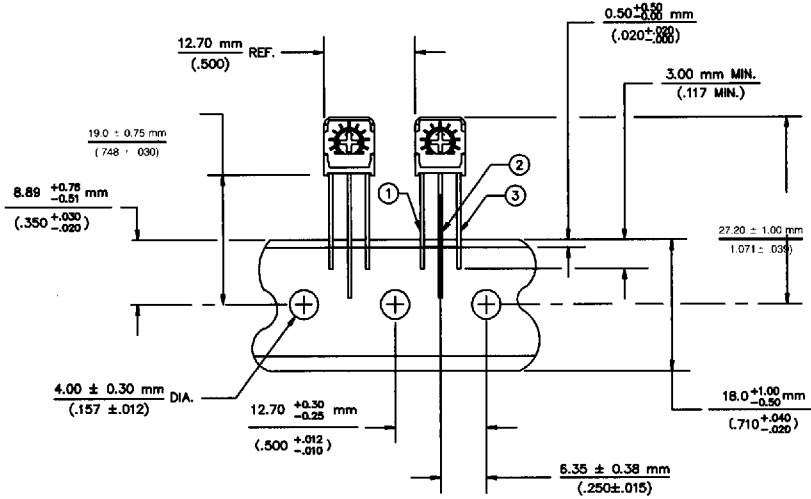
1. Dimensions are in millimeters (inches in parentheses are for reference only).
2. Tolerances unless otherwise specified +/- 0.30 mm (+/- .012 inches).
3. See packaging options on following pages for packaging dimensions.

D 12F 9004121 0006309 964

CT-6

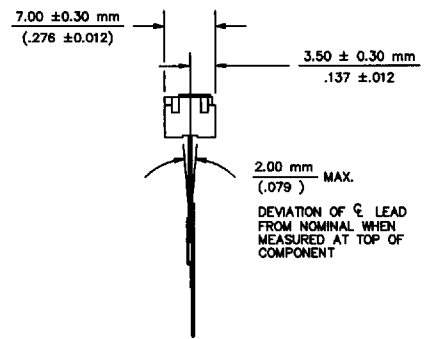
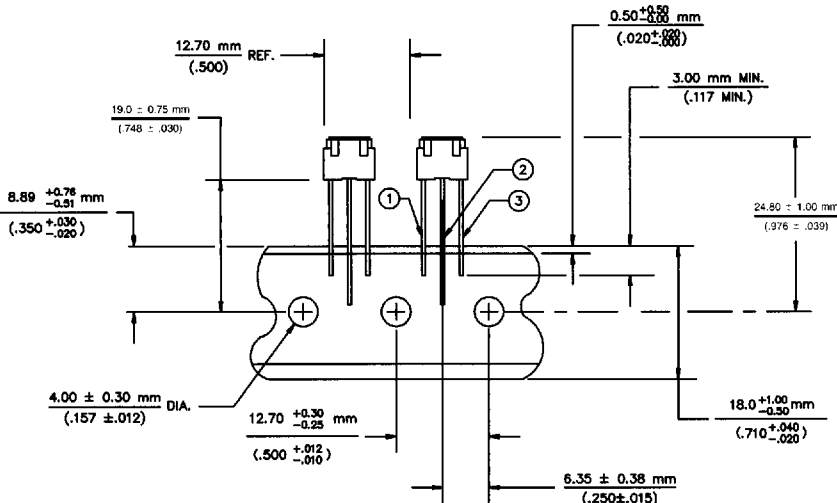
Single Turn Sealed Cermet

CT-6TH Side Adjust Tape & Reel



1. UNITS TO BE PACKAGED 1000 PER REEL.
2. MAXIMUM OF 3 DATE CODES PER REEL, 3 BLANK SPACES BETWEEN DATE CODES.
3. REEL SIZE : 360 mm DIA. / 44 mm INSIDE FLANGE.
30 mm HOLE DIA / 56 mm OVERALL REEL THICKNESS.
80 mm CORE DIA.

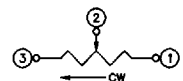
CT-6TV Top Adjust Tape & Reel



1. UNITS TO BE PACKAGED 1000 PER REEL.
2. MAXIMUM OF 3 DATE CODES PER REEL, 3 BLANK SPACES BETWEEN DATE CODES.
3. REEL SIZE : 360 mm DIA. / 44 mm INSIDE FLANGE.
30 mm HOLE DIA / 56 mm OVERALL REEL THICKNESS.
80 mm CORE DIA.

Metric

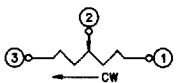
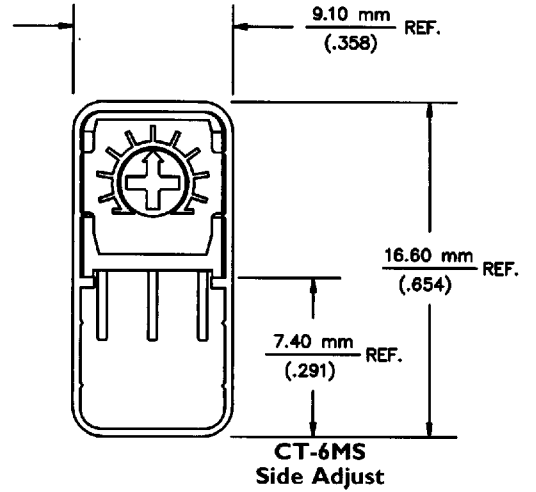
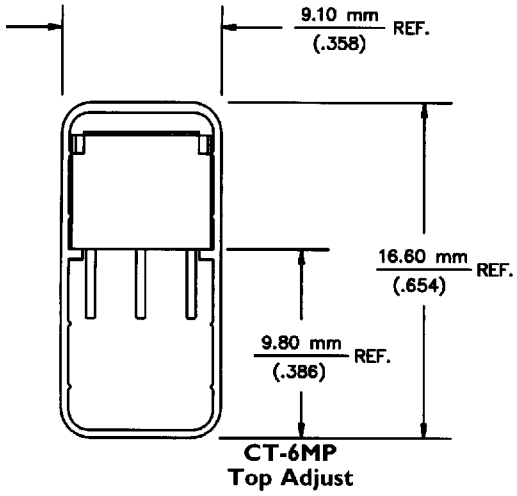
1. Dimensions are in millimeters (inches in parentheses are for reference only).
2. Tolerances unless otherwise specified +/- 0.30 mm (+/- .012 inches).



CT-6

Single Turn Sealed Cemet

CT-6M Plastic Magazine



Metric

1. Dimensions are in millimeters (inches in parentheses are for reference only).
2. Tolerances unless otherwise specified +/- 0.30 mm (+/- .012 inches).

D 12F ■ 9004121 0006311 512 ■