

GERMANIUM SMALL SIGNAL TRANSISTORS

PRO ELECTRON TYPES

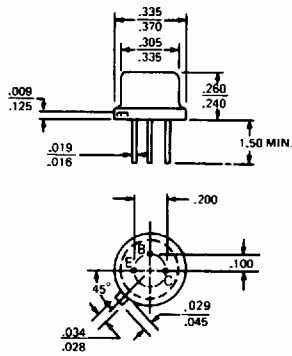
Type	Polarity	V_{CB0} V Max	V_{EB0} V Max	V_{CE} V Max		I_{CBO}		h_{FE}		$@I_c$ mA	Cob pf Max	fab MHZ Min	Pack Outline	Power Dissipation @25°C MW
						@ V_{CB} V	μA Max	Min	Max					
AC107	P	15						35-	300 ¹				TO-1	80
AC116	P	30	12	18		6	8	50-140	20		21 ²		NS257	145
AC117	P	32	10	18		6	18	40-	150				NS257	260
AC121-IV	P	20	10	20				30-60	100			1.5 ²	TO-1	900
AC121-V	P	20	10	20				50-100	100			1.5 ²	TO-1	900
AC121-VI	P	20	10	20				75-150	100			1.5 ²	TO-1	900
AC121-VII	P	20	10	20				125-250	100			1.5 ²	TO-1	900
AC122	P	30	18	18		6	8	40-200	2 ¹		21 ²		TO-1	130
AC122/30	P	45	12	32		6	8	40-200	2 ¹		21 ²		TO-1	130
AC123	P	45	12	32		6	8	50-140	20		21 ²		NS257	145
AC124	P	45	10	32		6	18	40-170	150				NS257	260
AC125	P	32	10	12		10	10	50-	2		50	1.3	TO-1	500
AC126	P	32	10	12		10	10	65-	2		50	1.7	TO-1	500
AC127	N	32	10	12				50-	500		70 ²	2.5	TO-1	340
AC128	P	32	10	16		10	10	55-175	50		100	1.0	TO-1	1,000
AC128K	P	32	10	16		10	10	55-175	50		100	1.0	NS257	1,000
AC130	N	20										2.0	TO-1	
AC131	P	30	10	18		6	18	40-	150				TO-1	212
AC132	P	32	10	12		0.5	10	135 ² -	20		40 ²	1.3	TO-1	500
AC138	P	32	10	20		10	15	30-	5 ¹				TO-1	720
AC139	P	32	10	20		10	15	40-160	400				TO-1	720
AC141	N	32	10	18		10	35	40-160	400				TO-1	720
AC142	P	32	10	20		10	15	40-160	400				TO-1	720
AC142K	P	32	10	20		10	15	40-160	400				NS257	860
AC151	P	32	10	2Y		10	10	30 ¹ -	2		27 ²	1.5 ²	TO-1	900
AC152	P	32	10	2Y		0.5	10	30-150	100		40	1.5 ²	TO-1	900
AC153	P	32	10	18		10	10	50-250	300		100	1.0	TO-1	1,000
AC153K	P	32	10	18		10	10	50-250	300		100	1.0	NS257	1,000
AC162	P	32	10	2Y		10	10	100 ²	50		40	1.3	TO-1	900
AC163	P	32	10	2Y		10	10	65-	2		40	1.7	TO-1	900
AC173	P	32	10	2Y				50-	2 ¹				TO-1	200
AC176	N	32	10	18				50-250	300		100 ²	1.0	TO-1	700
AC178	P	20	10	15		10	35	60-	150				NS257	180
AC179	N	20	10	15		6	10 ²	60-	150				NS257	180
AC180	P	32	20	16		6		50-250	600			2.5 ²	TO-1	600
AC180K	P	32	20	16				50-250	600			2.5 ²	NS257	2,500
AC181	N	32	20	16				50-250	600			4.5 ²	TO-1	600
AC181K	N	32	20	16				50-250	600			4.5 ²	NS257	2,500
AC182	P	32	20	18				50-	1 ¹			4.0 ²	TO-1	200
AC183	N	32	20	16				50-	2 ¹			4.0 ²	TO-1	250
AC184	P	32	20	16				50-250	300			2.5 ²	TO-1	600
AC185	N	32	20	16				50-250	300			2.5 ²	TO-1	600
AC187	N	25	10	15		10	35	100-500	300		180	1.0	TO-1	1,000
AC187K	N	25	10	15		10	35	100-500	300		180	1.0	NS257	1,000
AC188	P	25	10	15		10	15	100-500	300		110	1.0	TO-1	1,000
AC188K	P	25	10	15		10	15	100-500	300		100	1.0	NS257	1,000
AC193	P	32	10	15		10	15	90-400	400		40 ²	3.0 ²	TO-1	220
AC193K	P	32	10	15		10	15	90-400	400		40 ²	3.0 ²	TO-1	260
AC194	N	32	10	15		10	35	90-400	400		80 ²	5.0 ²	TO-1	220
AC194K	N	32	10	15		10	35	90-400	400		80 ²	5.0 ²	TO-1	260
ACY11	P	32	16	30		5	12	38-	10		35	0.4	TO-1	150
ACY14	P	32	16	30		5	12	54-	10		35	0.4	TO-1	150
ACY17		70	12	32		6	10	50-150	300		40	1.0	TO-5	200
ACY18		50	12	30		6	10	40-120	300		40	1.0	TO-5	200
ACY19		50	12	30		6	10	80-250	300		40	1.3	TO-5	200
ACY20		40	12	20		6	10	50-145	50		40	1.0	TO-5	200
ACY21		40	12	20		6	10	90-250	50		40	1.3	TO-5	200
ACY22		20	12	15		6	10	30-300	300		40	1.0	TO-5	200
ACY23	P	32	16	30				50-	1 ¹			0.5	TO-1	900
ACY27	P	40	30	20		30	12	20-55	1 ¹		40	1.0 ²	TO-1	200
ACY28	P	40	30	15		30	12	45-150	1 ¹		40	1.0 ²	TO-1	200
ACY29	P	40	30	15		30	12	45-150	1 ¹		40	1.0 ²	TO-1	200
ACY30	P	40	40	20		30	12	60-200	1 ¹		40	1.0 ²	TO-1	200
ACY31	P	40	20			12	5	35-70	1 ¹		40	1.0 ²	TO-1	200
ACY32	P	32	16	30		10	10	50-150	1 ¹		27 ²	0.5	TO-1	900

¹hfe
²typical

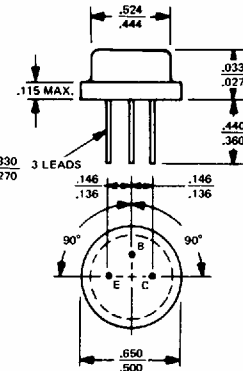
GERMANIUM POWER TRANSISTORS

CASE OUTLINE DRAWINGS & DIMENSIONS

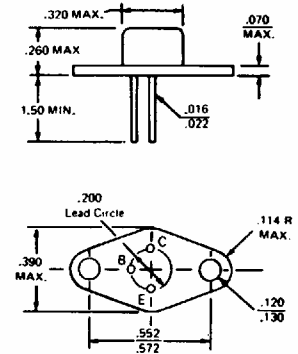
T0-5



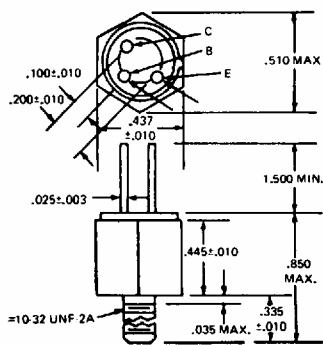
T0-8



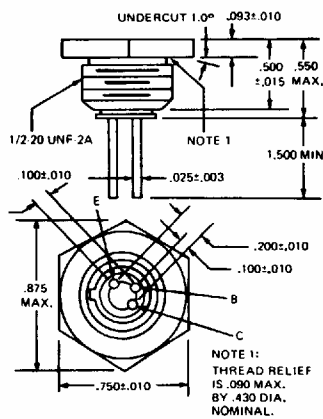
T0-37



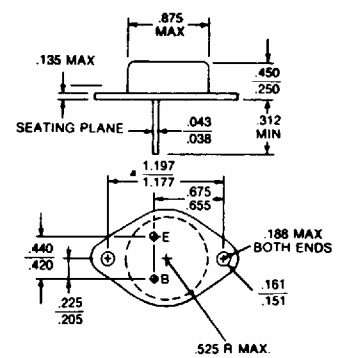
MT-27



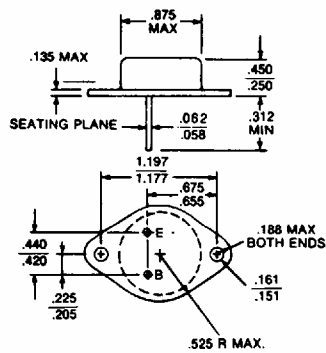
MT-28



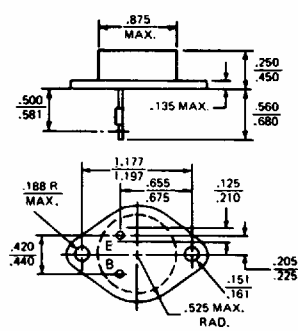
T0-3



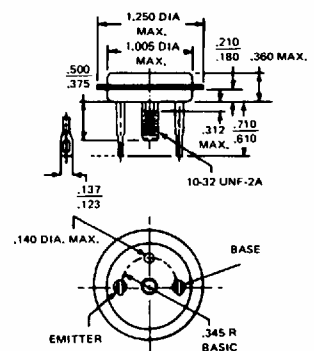
MODIFIED T0-3
(60 mil pins)



T0-41



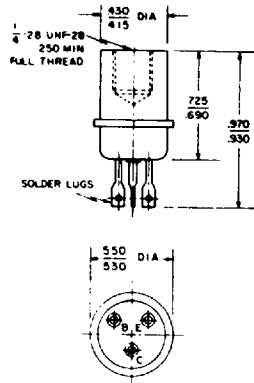
T0-36



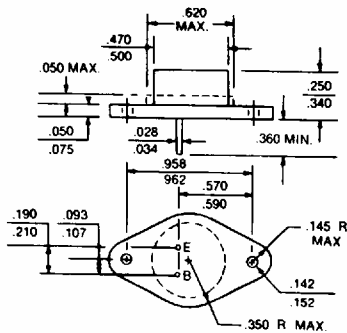
GERMANIUM POWER TRANSISTORS

CASE OUTLINE DRAWINGS & DIMENSIONS

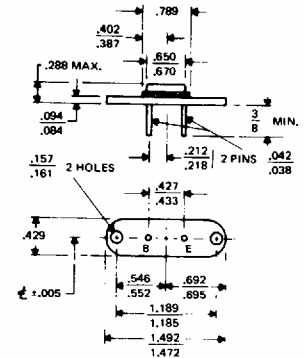
TO-13



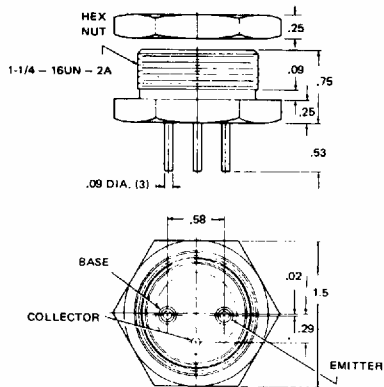
TO-66



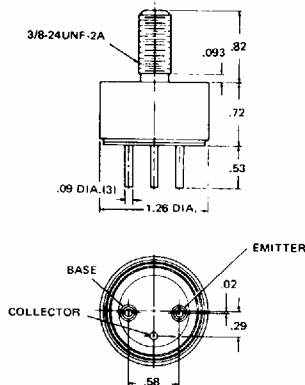
MS-7



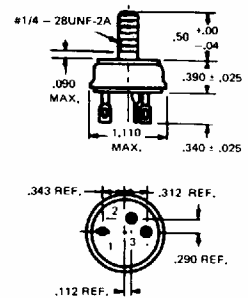
MT-22



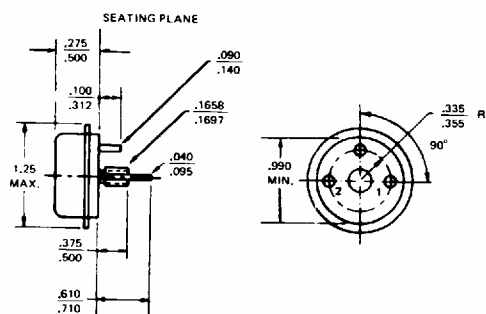
MT-23



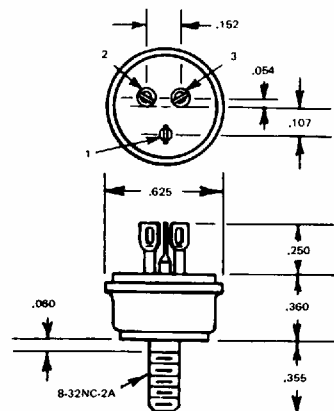
MT-7



TO-68



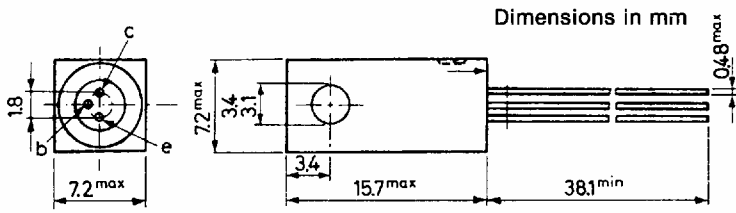
MT-36



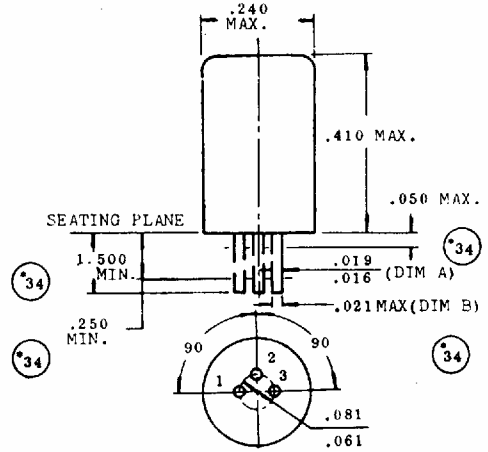
GERMANIUM POWER TRANSISTORS

CASE OUTLINE DRAWINGS & DIMENSIONS

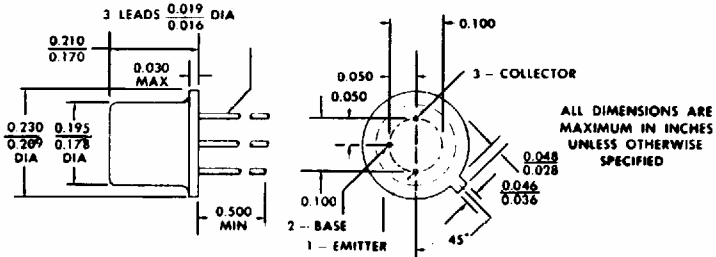
NS257



TO-1



TO-18



THE COLLECTOR IS ELECTRICAL CONTACT WITH THE CASE.

ALL JEDEC TO-18 DIMENSIONS AND NOTES ARE APPLICABLE.



GERMANIUM POWER DEVICES CORP.