



aAM3202 / aAM3203

ULTRA LOW POWER, DUAL-SPDT
CMOS ANALOG SWITCHES

Preliminary Specification

PRODUCT SPECIFICATION

General Description

The aAM3202 and aAM3203 are precision CMOS analog dual-SPDT switches or 2:1 multiplexers offering low on-resistance of less than 4Ω , with better than 0.4Ω matching between channels and on-resistance flatness of less than 1.2Ω over the specified analog input voltage range. The aAM3202 and aAM3203 have very fast turn-on switching speed of less than 16nS over the full operating temperature range of -40°C to 85°C . The aAM3202 and aAM3203 also consume a minimal amount of power, making them ideal for portable equipment.

The aAM3202 and aAM3203 connect 1-of-2 inputs to a common output by control of a select pin in a dual configuration. The aAM3202 has an inverted switch logic compared to the aAM3203. The parts are available in a 10-contact leadless QFN package and operate over the range from 1.8V to 5.5V .

Features (at $5\text{V } V_{\text{DD}}$)

- Low On-Resistance: 4Ω Max
- Guaranteed On-Resistance Match Between Channels, $< 0.4\Omega$
- Guaranteed Flat On-Resistance Over Specified Signal Range, $< 1.2\Omega$.
- Turn-On Time: 12nS at 25°C
- Turn-Off Time: 5nS at 25°C
- Break Before Make Interval: 7nS typ
- Temperature Range: -40°C to 85°C
- Uses a Single Supply, 3V to 5V Nominal

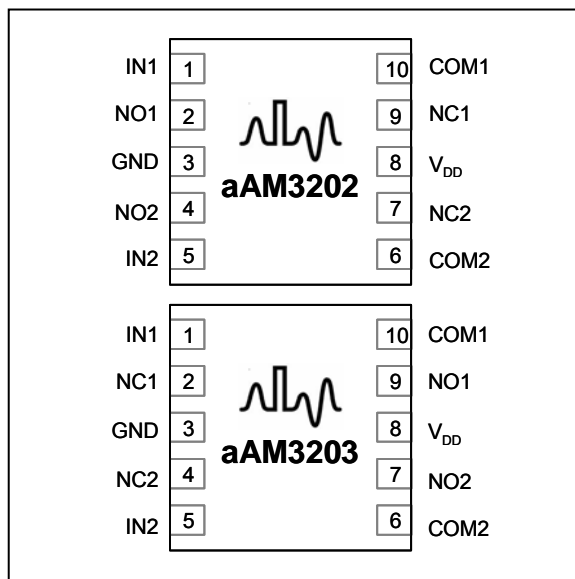
Applications

- Mobile Communications
- Computers and Peripherals
- Battery Management
- FAX Machines/Printers/Copiers
- Portable Medical Instruments

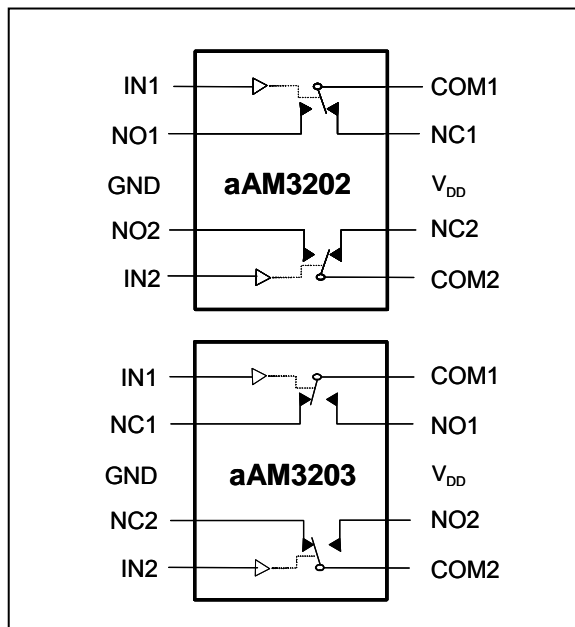
Ordering Information

Part Number	Package	Temperature Range	Part Marking	How Supplied
aAM3202Q10	10-Lead QFN	-40°C to $+85^\circ\text{C}$	aAM3202	3000 units on T&R
aAM3203Q10	10-Lead QFN	-40°C to $+85^\circ\text{C}$	aAM3203	3000 units on T&R

Pin Configuration



Functional Diagrams



Preliminary Specification - Subject to change without notice

Preliminary Specification - Subject to change without notice

Absolute Maximum Ratings¹

Parameter	Rating	
Supply Voltage	+7V	
Analog Input/Output Voltage	-0.5V to $V_{DD} + 0.5V$	
IN1/IN2 Input Voltage	-0.5V to +7V	
Continuous Current, any terminal	50mA	
Storage Temperature Range	-60°C to +150°C	
Lead Soldering Temperature	260°C	
ESD ²	Human Body Model	2000V
	Machine Model	250V
Thermal Resistance - θ_{JA}	TBD	
Lead Temperature	260°C	

NOTES:

1. Absolute maximum ratings are limits beyond which operation may cause permanent damage to the device. These are stress ratings only; functional operations at or above these limits is not implied.
2. Human Body Model: 100pF capacitor discharged through a 1.5k Ω resistor into each pin. Machine Model: 200pF capacitor discharged directly into each pin.
3. These specifications are guaranteed only for the test conditions listed.

Recommended Operating Ratings

Symbol	Parameter	Min	Max	Units
V_{DD}	Supply Voltage	+1.8	+6	V
V_{NO} , V_{NC} , V_{COM}	Analog Signal Level	0	V_{DD}	V
T_A	Operating Temperature Range	-40	+85	°C

DC Electrical Characteristics (Digital section)³

Limits apply for $-40^\circ\text{C} \leq T_A \leq +85^\circ\text{C}$ and $V_{DD} = +5.0V$ unless otherwise noted.

Parameter	Symbol	Conditions	Min	Max	Units
Min Hi-Level Input Voltage	V_{IH}	$-40^\circ\text{C} \leq T_A \leq +85^\circ\text{C}$	$V_{DD} = +2.7V$ $V_{DD} = +4.5V$	2.0V 2.4V	V
Max Low-Level Input Voltage	V_{IL}	$-40^\circ\text{C} \leq T_A \leq +85^\circ\text{C}$	$V_{DD} = +2.7V$ $V_{DD} = +4.5V$	0.4V 0.8V	V
Digital Input Leakage	I_{IN}	$V_{ADD} \& V_{EN} = 0V$ or $+5.5V$ $V_{DD} = +5.5V$	$T_A = +25^\circ\text{C}$ $T_A = -40^\circ\text{C}$ to $+85^\circ\text{C}$	-0.1 -1.0	0.1 1.0 μA
Digital Input Power OFF Leakage	I_{OFF}	$V_{ADD} \& V_{EN} = 0V$ or $+5.5V$ $V_{DD} = 0V$	$T_A = +25^\circ\text{C}$ $T_A = -40^\circ\text{C}$ to $+85^\circ\text{C}$	-0.1 -1.0	0.1 1.0 μA

DC Electrical Characteristics (Analog Section)³

Limits apply for $-40^\circ\text{C} \leq T_A \leq +85^\circ\text{C}$ and $V_{DD} = +5.0V$ unless otherwise noted.

Parameter	Symbol	Conditions	Min	Typ	Max	Units
ON-Resistance	R_{ON}	$I_{NO} = -10\text{mA}$ $V_{COM} = 0V$ to $+5V$	$T_A = +25^\circ\text{C}$ $T_A = -40^\circ\text{C}$ to $+85^\circ\text{C}$	2	4	Ω
		$I_{NO} = -10\text{mA}$ $V_{COM} = 0V$ to $+3V$	$T_A = +25^\circ\text{C}$ $T_A = -40^\circ\text{C}$ to $+85^\circ\text{C}$	4	7	Ω
ON-Resistance channel matching	ΔR_{ON}	$I_{NO} = -10\text{mA}$, $V_{DD} = +4.5V$ $V_{COM} = 0$ to V_{DD}	$T_A = +25^\circ\text{C}$ $T_A = -40^\circ\text{C}$ to $+85^\circ\text{C}$	0.1	0.4	Ω
		$I_{NO} = -10\text{mA}$, $V_{DD} = +2.7V$ $V_{COM} = 0$ to V_{DD}	$T_A = +25^\circ\text{C}$ $T_A = -40^\circ\text{C}$ to $+85^\circ\text{C}$	0.1	0.4	Ω
ON-Resistance Flatness	R_{FLAT}	$I_{NO} = -10\text{mA}$, $V_{DD} = +5V$ $V_{COM} = +1V, +2.5V, +4V$	$T_A = +25^\circ\text{C}$ $T_A = -40^\circ\text{C}$ to $+85^\circ\text{C}$	0.5	1.2	Ω
		$I_{NO} = -10\text{mA}$, $V_{DD} = 3V$ $V_{COM} = +.6V, +1.5V, +2.4V$	$T_A = +25^\circ\text{C}$ $T_A = -40^\circ\text{C}$ to $+85^\circ\text{C}$	1.5	2.5	Ω
Supply Current	I_{DD}	$V_{DD} = +3.3V$ or $+5.5V$, $V_{ADD} \& V_{EN} = 0V$	$T_A = +25^\circ\text{C}$ $T_A = -40^\circ\text{C}$ to $+85^\circ\text{C}$	0.1	1	μA

Dynamic Electrical Characteristics³

Limits apply for $-40^{\circ}\text{C} \leq T_A \leq +85^{\circ}\text{C}$ and $V_{DD} = +5.0\text{V}$ unless otherwise noted.

Parameter	Symbol	Conditions		Min	Typ	Max	Units
Turn-On Time	$t_{ON(EN)}$	$V_{DD} = +5\text{V}, V_{NO} = 3\text{V}$ $C_L = 35\text{pF}, R_L = 300\Omega$	$T_A = +25^{\circ}\text{C}$ $T_A = -40^{\circ}\text{C to } +85^{\circ}\text{C}$		12	16	ns
		$V_{DD} = +3\text{V}, V_{NO} = 2\text{V}$ $C_L = 35\text{pF}, R_L = 300\Omega$	$T_A = +25^{\circ}\text{C}$ $T_A = -40^{\circ}\text{C to } +85^{\circ}\text{C}$		14	20	ns
Turn-Off Time	$t_{OFF(EN)}$	$V_{DD} = +5\text{V}, V_{NO} = 3\text{V}$ $C_L = 35\text{pF}, R_L = 300\Omega$	$T_A = +25^{\circ}\text{C}$ $T_A = -40^{\circ}\text{C to } +85^{\circ}\text{C}$		5	8	ns
		$V_{DD} = +3\text{V}, V_{NO} = 2\text{V}$ $C_L = 35\text{pF}, R_L = 300\Omega$	$T_A = +25^{\circ}\text{C}$ $T_A = -40^{\circ}\text{C to } +85^{\circ}\text{C}$		6	10	ns
Break-Before-Make Interval	t_{OPEN}	$V_{DD} = +5\text{V}, V_{NO} = 3\text{V}$ $C_L = 35\text{pF}, R_L = 300\Omega$	$T_A = +25^{\circ}\text{C}$ $T_A = -40^{\circ}\text{C to } +85^{\circ}\text{C}$	1	7		ns
		$V_{DD} = +3\text{V}, V_{NO} = 2\text{V}$ $C_L = 35\text{pF}, R_L = 300\Omega$	$T_A = +25^{\circ}\text{C}$ $T_A = -40^{\circ}\text{C to } +85^{\circ}\text{C}$	1	7		ns
Logic Input Cap.	C_{IN}	$f = 1\text{MHz}$	$T_A = +25^{\circ}\text{C}, f = 1\text{MHz}$		8		pF
NO-off, NC-off-ch Cap.	$C_{NO(OFF)}$	$f = 1\text{MHz}; V_{EN} = V_{NO} = 0\text{V}$	$T_A = +25^{\circ}\text{C}, f = 1\text{MHz}$		8		pF
COM-On-ch Cap	$C_{COM(ON)}$	$V_{EN} = +2.4\text{V}; V_{COM} = 0\text{V}$	$T_A = +25^{\circ}\text{C}, f = 1\text{MHz}$		32		pF

Test Circuits / Timing Diagrams

Figure 1. Switching Time

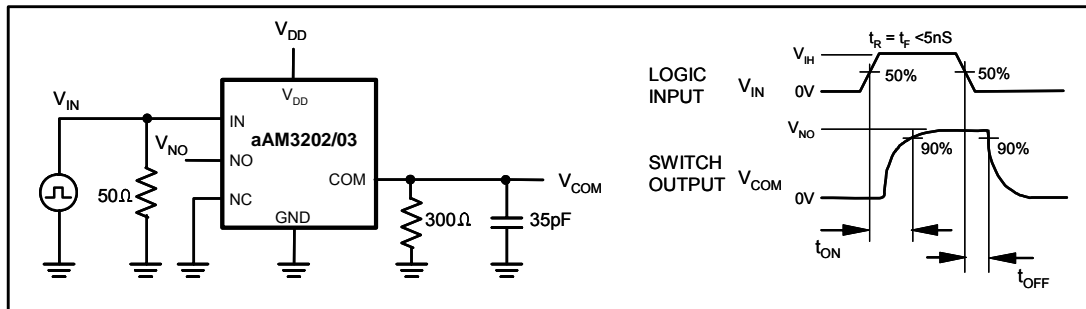
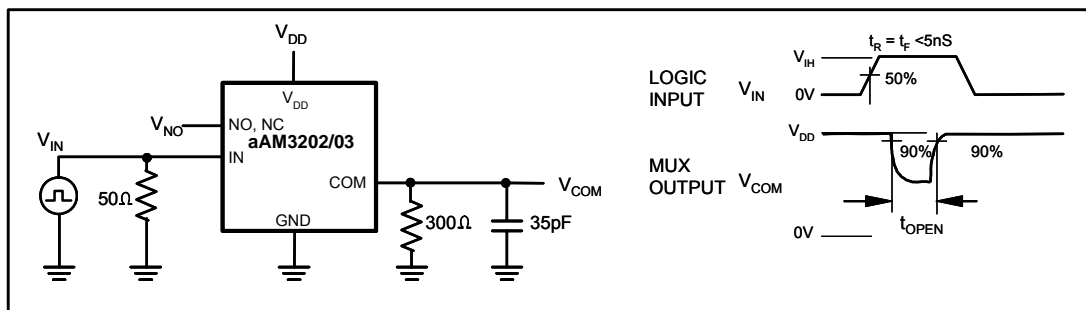


Figure 2. Break-Before-Make Interval

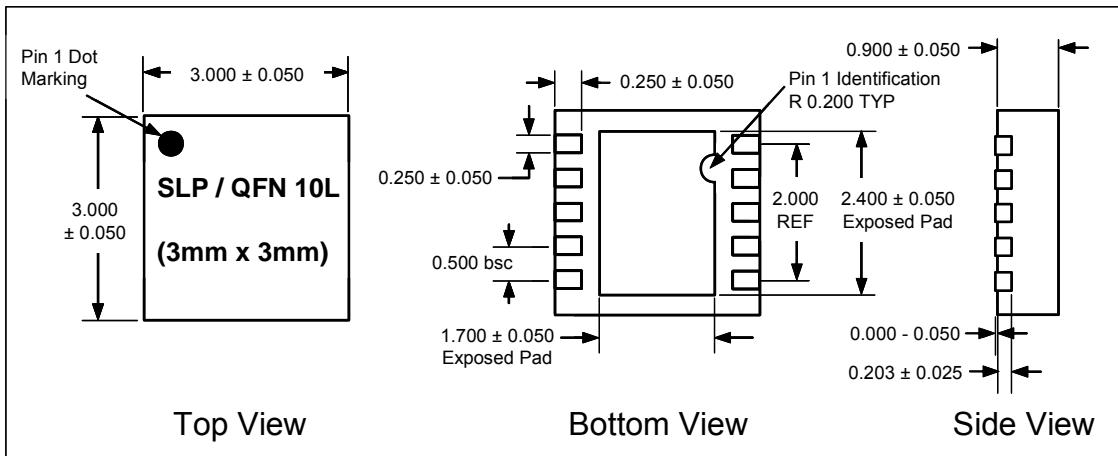


Truth Table - aAM3202 or aAM3203

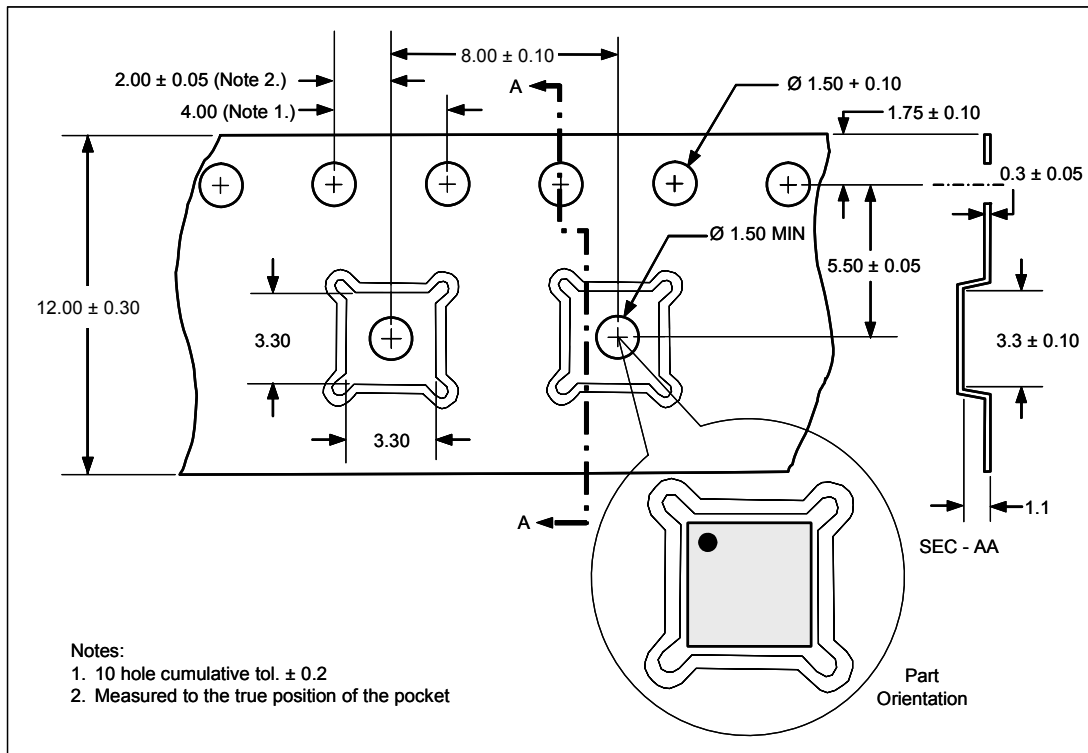
IN1	COM1 Connection	IN2	COM2 Connection
0	NC1	0	NC2
1	NO1	1	NO2

Packaging Information

This QFN package is lead-free.



Tape & Reel Dimensions





Data Sheet Classifications

Preliminary Specification

This classification is shown on the heading of each page of a specification for products that are either under development (design and qualification), or in the formative planning stages. Andigilog reserves the right to change or discontinue these products without notice.

New Release Specification

This classification is shown on the heading of the first page only of a specification for products that are either under the later stages of development (characterization and qualification), or in the early weeks of release to production. Andigilog reserves the right to change the specification and information for these products without notice.

Fully Released Specification

Fully released datasheets do not contain any classification in the first page header. These documents contain specification on products that are in full production. Andigilog will not change any guaranteed limits without written notice to the customers. Obsolete datasheets that were written prior to January 1, 2001 without any header classification information should be considered as obsolete and non-active specifications, or in the best case as Preliminary Specifications.

LIFE SUPPORT POLICY

ANDIGILOG'S PRODUCTS ARE NOT AUTHORIZED FOR USE AS CRITICAL COMPONENTS IN LIFE SUPPORT DEVICES OR SYSTEMS WITHOUT THE EXPRESS WRITTEN APPROVAL OF THE PRESIDENT AND GENERAL COUNSEL OF ANDIGILOG, INC. As used herein:

1. Life support devices or systems are devices or systems which, (a) are intended for surgical implant into the body, or (b) support or sustain life, and whose failure to perform when properly used in accordance with instructions for use provided in the labeling, can be reasonably expected to result in a significant injury to the user.
2. A critical component is any component of a life support device or system whose failure to perform can be reasonably expected to cause the failure of the life support device or system, or to affect its safety or effectiveness.

Andigilog, Inc.
8380 S. Kyrene Rd., Suite 101
Tempe, Arizona 85284-2120
Tel: (480) 940-6200
Fax: (480) 940-4255