

T-23-05

Solid Pac® High Voltage Rectifiers

Six Phase Star

SERIES I

PART NUMBER	HEIGHT	LENGTH	WIDTH	NUMBER OF BLOCKS	PIV (Per Leg)	THEORETICAL D.C. OUTPUT VOLTAGE	RECOMMENDED MAX OUTPUT VOLTS DC	AVG. DC OUTPUT @ 25°C	MAX. FVD/LEG @ 25°C
SPSHV-16	3/4	2 1/2	3/4	1	1,600	758	380	2.0 A	3 V
SPSHV-20	3/4	3	3/4	1	2,000	943	468	3.0 A	3 V
SPSHV-30	3/4	2	1 1/2	2	3,000	1415	702	2.4 A	6 V
SPSHV-40	3/4	2	2	2	4,000	1886	936	2.4 A	9 V
SPSHV-50	3/4	2 1/2	2	2	5,000	2358	1,170	1.8 A	9 V
SPSHV-60	3/4	4 1/2	3/4	3	6,000	2830	1,404	1.8 A	12 V
SPSHV-70	3/4	5	3/4	3	7,000	3300	1,638	1.8 A	15 V
SPSHV-80	3/4	5 1/2	3/4	3	8,000	3773	1,872	1.8 A	15 V
SPSHV-90	3/4	6	3/4	3	9,000	4270	2,106	1.8 A	18 V
SPSHV-100	3/4	3 1/2	3/4	6	10,000	4725	2,340	1.8 A	21 V
SPSHV-150	3/4	5	3/4	6	15,000	7093	3,493	1.5 A	30 V
SPSHV-200	3/4	5 1/2	3/4	6	20,000	9430	4,680	1.5 A	39 V
SPSHV-250	3/4	6	3/4	6	25,000	11816	5,810	1.5 A	51 V
SPSHV-300	3/4	6	3/4	6	30,000	14149	7,020	1.5 A	60 V
SPSHV-350	3/4	6 1/2	3/4	6	35,000	16312	8,140	1.5 A	72 V
SPSHV-400	3/4	6 1/2	3/4	6	40,000	18847	9,360	0.9 A	81 V
SPSHV-450	3/4	7	3/4	6	45,000	21152	10,490	0.9 A	90 V
SPSHV-500	3/4	7	3/4	6	50,000	23572	11,700	0.9 A	102 V
SPSHV-750	1 1/4	8	2	6	75,000	35886	17,943	0.6 A	150 V
SPSHV-1000	1 1/4	10	2	6	100,000	46800	23,400	0.6 A	210 V
SPSHV-1200	1 1/4	12	2	6	120,000	57416	28,708	0.6 A	240 V

SERIES II

SPS-16	3/4	2 1/2	3/4	1	1,600	758	380	6.6 A	2 V
SPS-20	3/4	3	3/4	1	2,000	943	468	6.6 A	3 V
SPS-30	3/4	2	1 1/2	2	3,000	1415	702	6.6 A	5 V
SPS-40	3/4	2	2	2	4,000	1886	936	6.6 A	7 V
SPS-50	3/4	2 1/2	2	2	5,000	2358	1,170	6.6 A	9 V
SPS-60	3/4	4 1/2	3/4	3	6,000	2830	1,404	6.0 A	10 V
SPS-70	3/4	5	3/4	3	7,000	3300	1,638	6.0 A	12 V
SPS-80	3/4	5 1/2	3/4	3	8,000	3773	1,872	6.0 A	14 V
SPS-90	3/4	6	3/4	3	9,000	4270	2,106	6.0 A	15 V
SPS-100	3/4	3 1/2	3/4	6	10,000	4725	2,340	6.0 A	17 V
SPS-150	3/4	5	3/4	6	15,000	7093	3,493	5.4 A	25 V
SPS-200	3/4	5 1/2	3/4	6	20,000	9430	4,680	4.5 A	34 V
SPS-250	3/4	6	3/4	6	25,000	11816	5,810	4.5 A	42 V
SPS-300	3/4	6	3/4	6	30,000	14149	7,020	4.5 A	50 V
SPS-350	3/4	6 1/2	3/4	6	35,000	16312	8,140	4.5 A	59 V
SPS-400	3/4	6 1/2	3/4	6	40,000	18847	9,360	4.5 A	67 V
SPS-450	3/4	7	3/4	6	45,000	21152	10,490	4.5 A	75 V
SPS-500	3/4	7	3/4	6	50,000	23572	11,700	4.5 A	84 V
SPS-750	1 1/4	8	2	6	75,000	35886	17,943	3.0 A	125 V
SPS-1000	1 1/4	10	2	6	100,000	46800	23,400	2.0 A	167 V
SPS-1200	1 1/4	12	2	6	120,000	57416	28,708	3.0 A	200 V

Continued on next page

Solid Pac® High Voltage Rectifiers

Six Phase Star

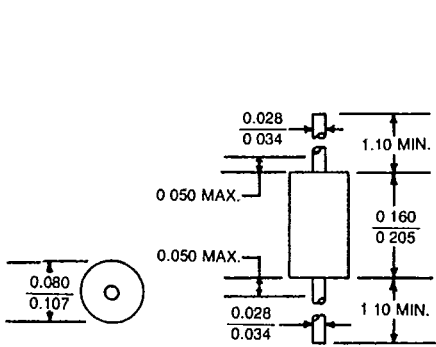
SERIES III

PART NUMBER	HEIGHT	LENGTH	WIDTH	NUMBER OF BLOCKS	PIV (Per Leg)	THEORETICAL D.C. OUTPUT VOLTAGE	RECOMMENDED MAX OUTPUT VOLTS DC	AVG. DC OUTPUT @ 25°C	MAX. FVD/LEG @ 25°C
2ASPS-16	3/4	2 1/2	3/4	1	1,600	758	380	12.0 A	3 V
2ASPS-20	3/4	3 1/2	3/4	1	2,000	943	468	12.0 A	3 V
2ASPS-30	3/4	2	1 1/2	2	3,000	1415	702	12.0 A	6 V
2ASPS-40	3/4	2	2	2	4,000	1886	936	12.0 A	9 V
2ASPS-50	3/4	2 1/2	2	2	5,000	2358	1,170	12.0 A	9 V
2ASPS-60	3/4	4 1/2	3/4	3	6,000	2830	1,404	10.8 A	12 V
2ASPS-70	3/4	5	3/4	3	7,000	3300	1,638	10.8 A	15 V
2ASPS-80	3/4	5	3/4	3	8,000	3773	1,872	10.8 A	15 V
2ASPS-90	3/4	5	3/4	3	9,000	4270	2,106	10.8 A	18 V
2ASPS-100	3/4	5	3/4	6	10,000	4725	2,340	10.8 A	21 V
2ASPS-150	3/4	5	3/4	6	15,000	7093	3,493	9.0 A	30 V
2ASPS-200	3/4	5	3/4	6	20,000	9430	4,680	7.8 A	39 V
2ASPS-250	3/4	5	3/4	6	25,000	11816	5,810	7.8 A	51 V
2ASPS-300	3/4	5	3/4	6	30,000	14149	7,020	7.8 A	60 V
2ASPS-350	3/4	5	3/4	6	35,000	16312	8,140	7.2 A	72 V
2ASPS-400	3/4	5	3/4	6	40,000	18847	9,360	7.2 A	81 V
2ASPS-450	3/4	5	3/4	6	45,000	21152	10,490	7.2 A	90 V
2ASPS-500	3/4	5	3/4	6	50,000	23572	11,700	6.0 A	102 V
2ASPS-750	1 1/4	8	2	6	75,000	35886	17,943	4.8 A	150 V
2ASPS-1000	1 1/4	10	2	6	100,000	46800	23,400	4.5 A	210 V
2ASPS-1200	1 1/4	12	2	6	120,000	57416	28,708	4.5 A	240 V

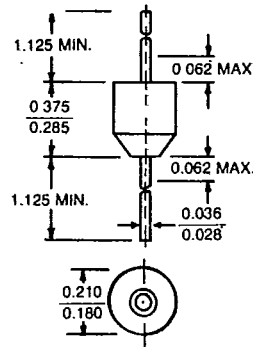
SERIES IV

SODSPS-16	1	2 1/2	2	2	1,600	758	380	18.0 A	2 V
SODSPS-20	1	2 1/2	2	2	2,000	943	468	18.0 A	3 V
SODSPS-30	1	3	2 1/2	2	3,000	1415	702	18.0 A	5 V
SODSPS-40	1	3 1/2	2 1/2	2	4,000	1886	936	18.0 A	7 V
SODSPS-50	1	4	2 1/2	2	5,000	2358	1,170	18.0 A	9 V
SODSPS-60	1	4 3/4	1	6	6,000	2830	1,404	16.5 A	10 V
SODSPS-70	1	5 1/2	1	6	7,000	3300	1,638	16.5 A	12 V
SODSPS-80	1	6	1	6	8,000	3773	1,872	16.5 A	14 V
SODSPS-90	1	6 1/2	1	6	9,000	4270	2,106	15.0 A	15 V
SODSPS-100	1	7	1	6	10,000	4725	2,340	15.0 A	17 V
SODSPS-150	1	4	2	6	15,000	7093	3,493	15.0 A	25 V
SODSPS-200	1	6	2	6	20,000	9430	4,680	13.5 A	34 V
SODSPS-250	1	8	2	6	25,000	11816	5,810	13.5 A	42 V
SODSPS-300	1	4	3	6	30,000	14149	7,020	13.5 A	50 V
SODSPS-350	1	6	3	6	35,000	16312	8,140	13.5 A	59 V
SODSPS-400	1	8	3	6	40,000	18847	9,360	13.5 A	67 V
SODSPS-450	1	4	4	6	45,000	21152	10,490	13.5 A	75 V
SODSPS-500	1	6	4	6	50,000	23572	11,700	13.5 A	84 V
SODSPS-750	1 1/2	8	4	6	75,000	35886	23,943	12.0 A	125 V
SODSPS-1000	1 1/2	12	4	6	100,000	46800	23,400	10.5 A	167 V
SODSPS-1200	1 1/2	14	4	6	120,000	57416	28,708	10.5 A	200 V

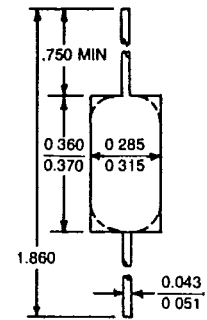
Case Outlines and Dimensions



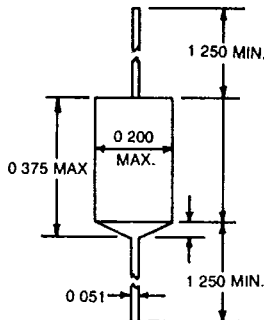
**Case Style 1A
(DO-41)**



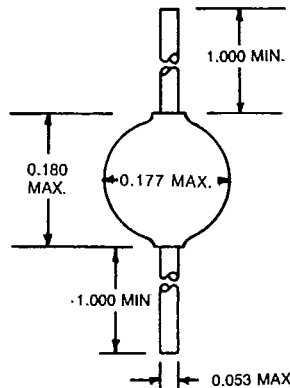
**Case Style 1B
(DO-27)**



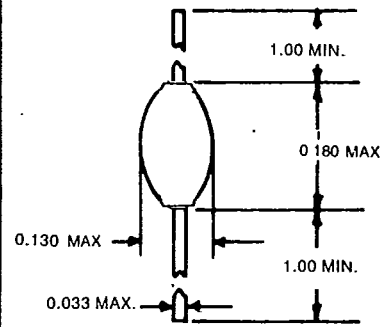
Case Style 1C



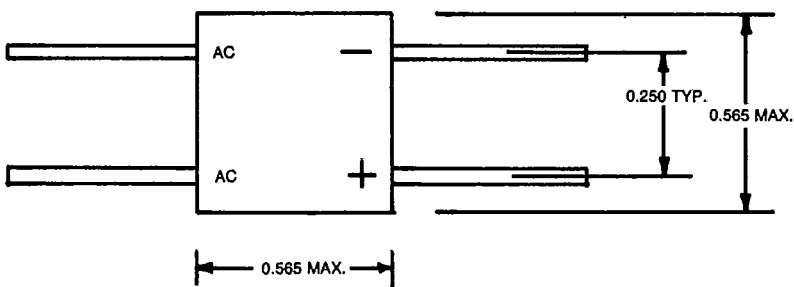
Case Style 1D



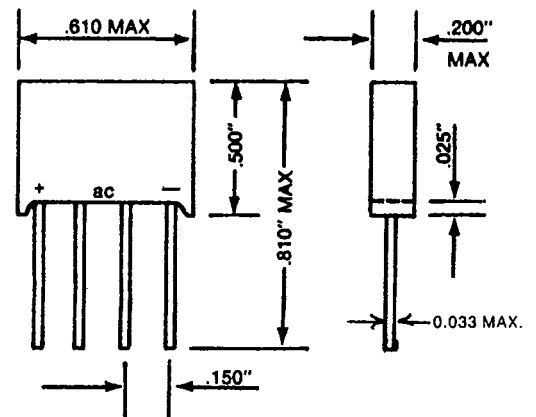
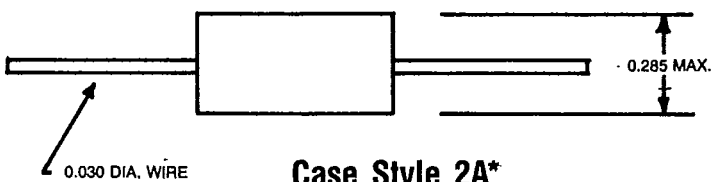
Case Style 1E



Case Style 1F



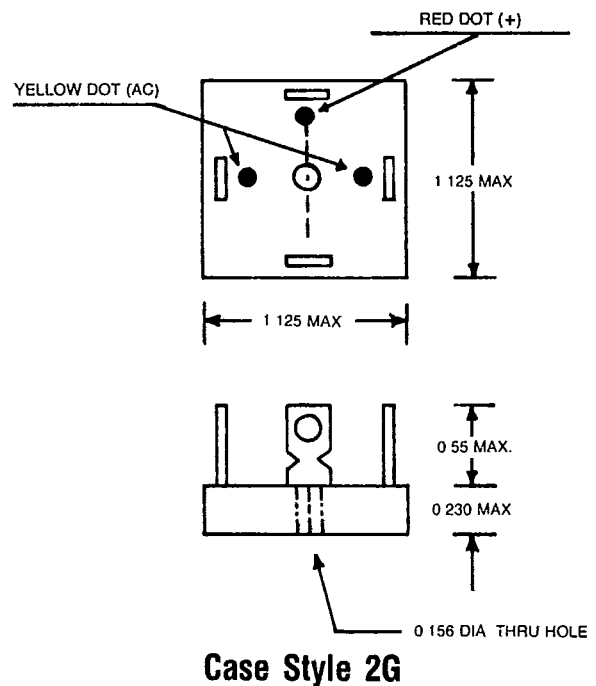
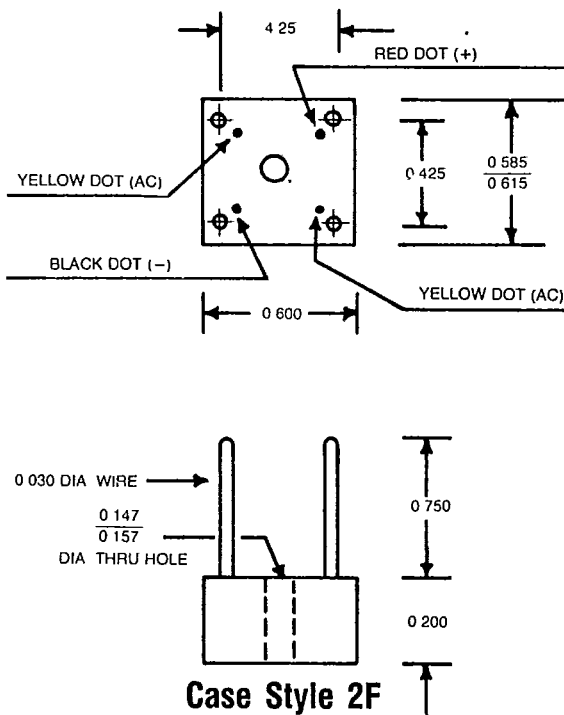
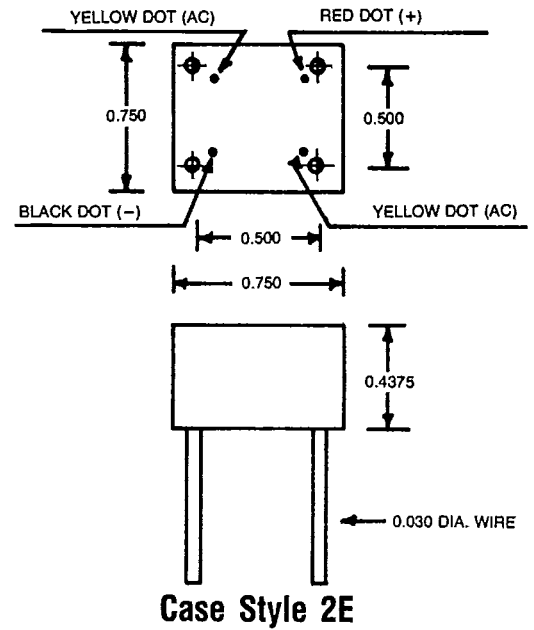
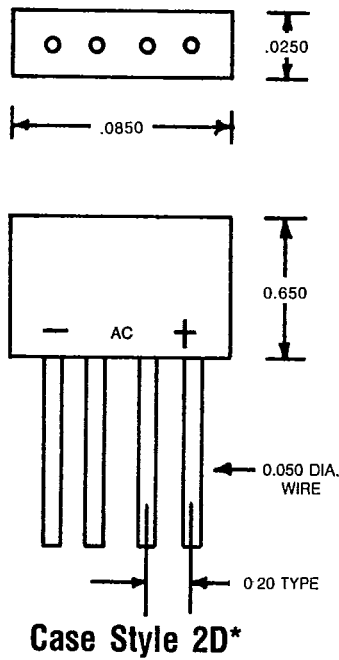
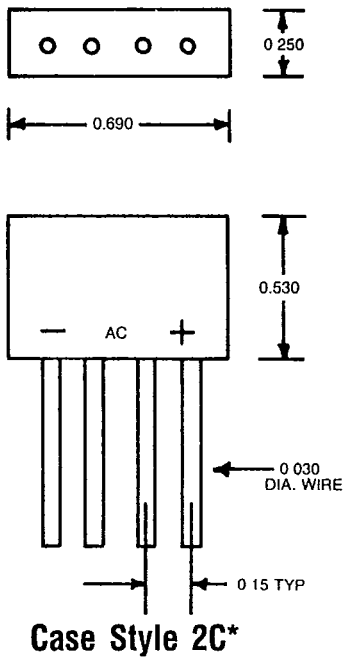
Case Style 2A*



Case Style 2B*

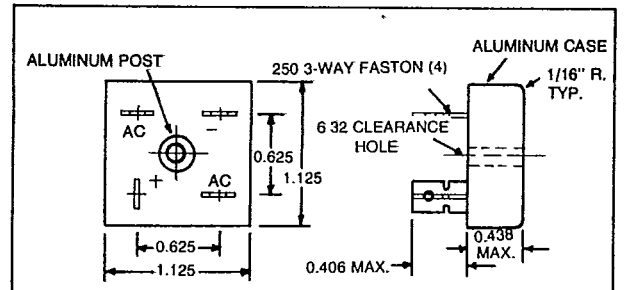
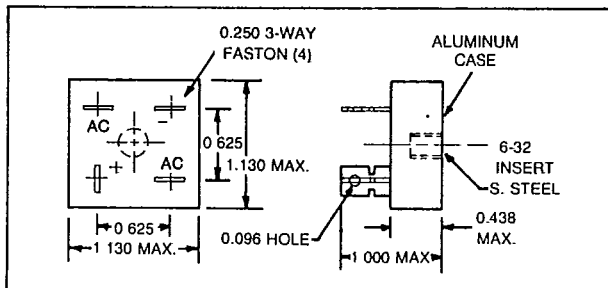
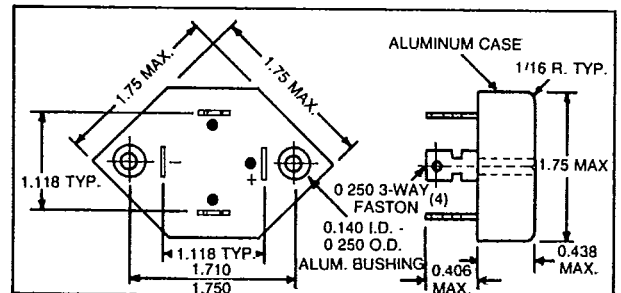
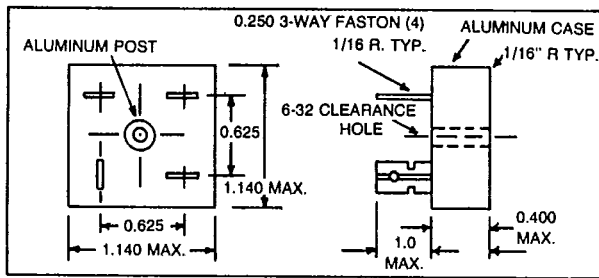
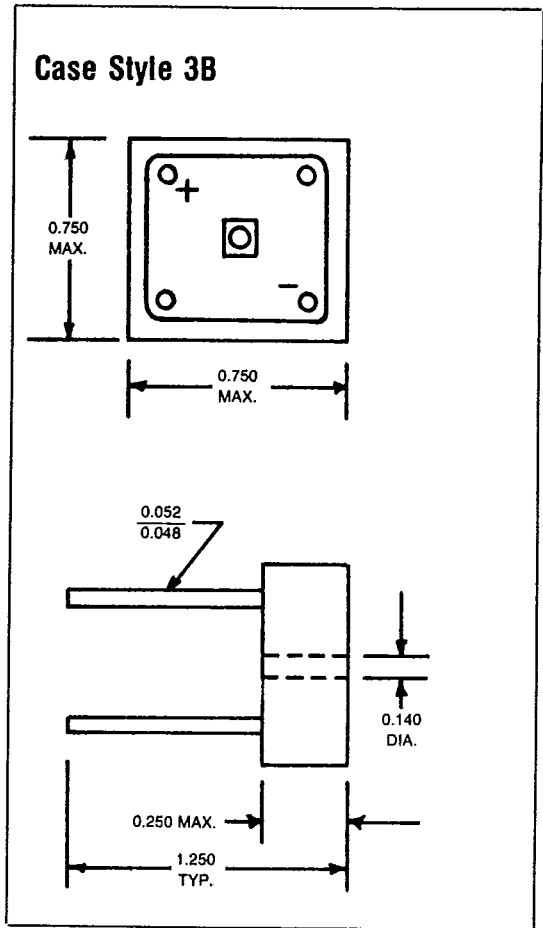
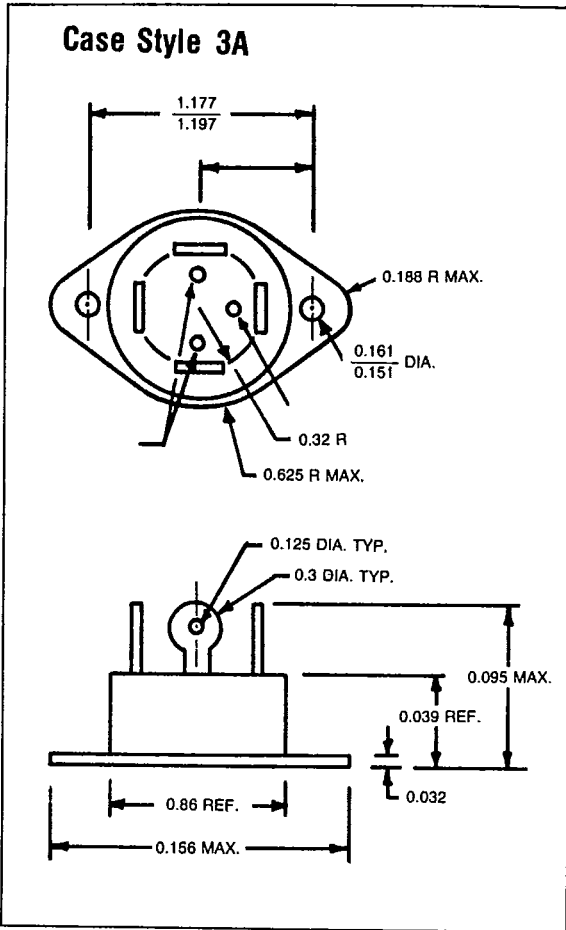
*Also available in lower cost conformal coated package.

Case Outlines and Dimensions



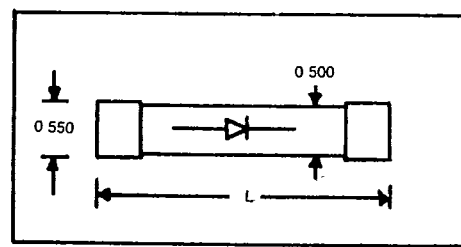
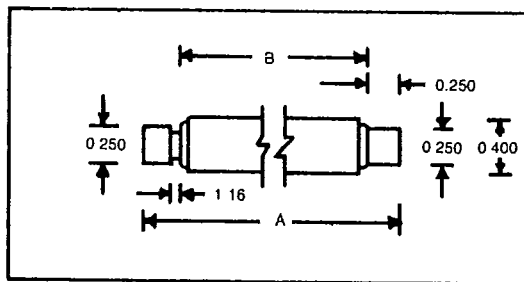
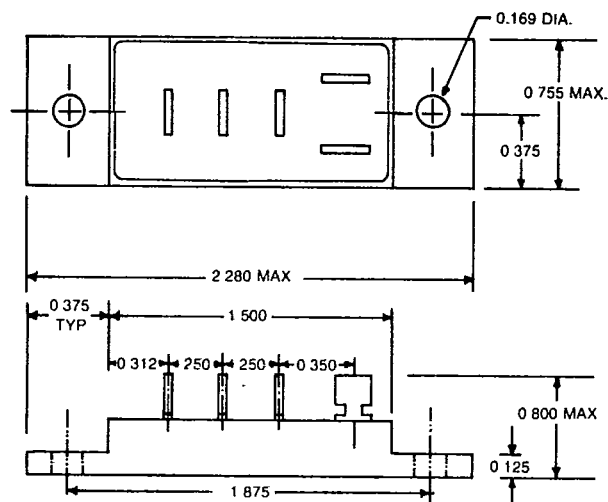
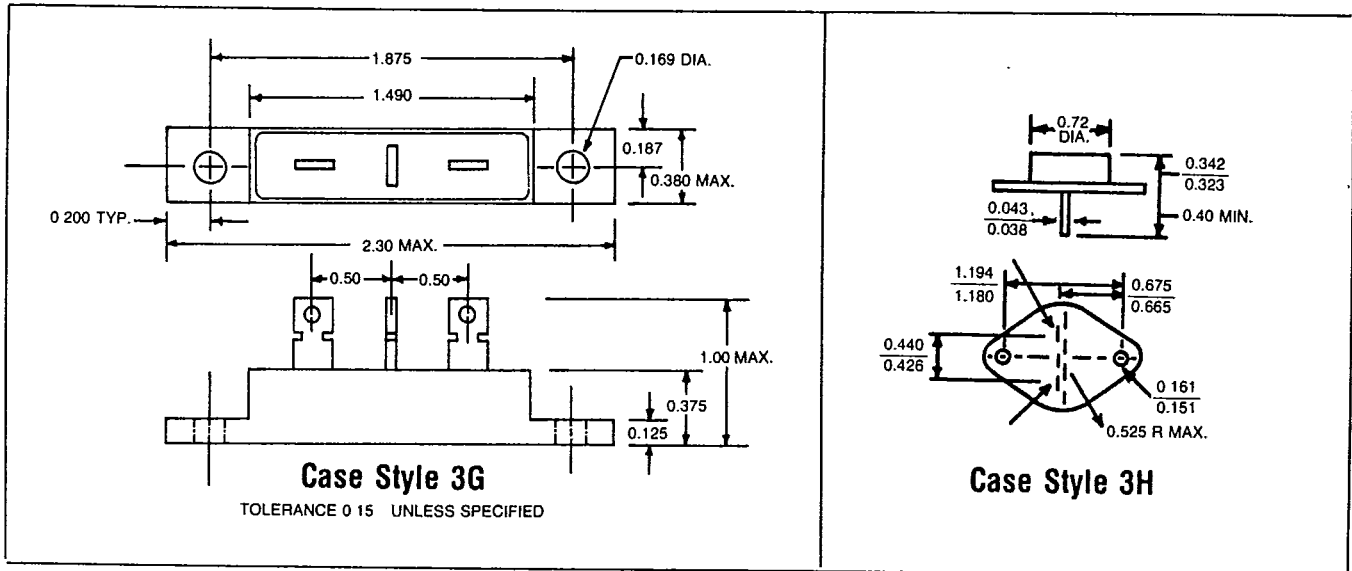
*Also available in lower cost conformal coated package.

Case Outlines and Dimensions

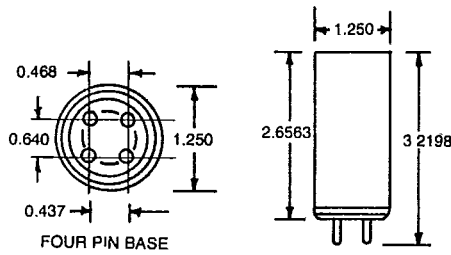


T-23-05

Case Outlines and Dimensions

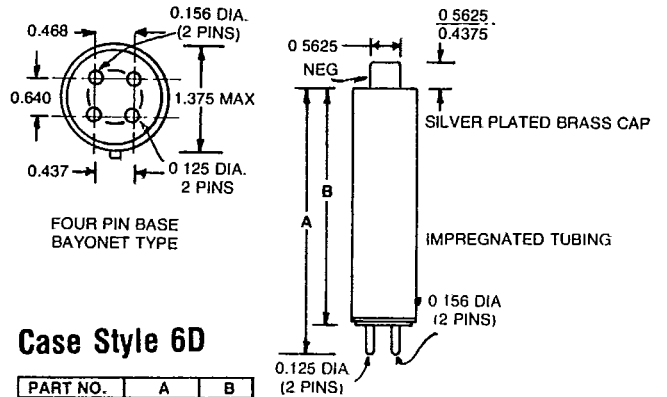


Case Outlines and Dimensions



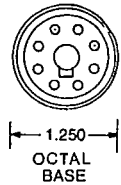
Case Style 6A

PART NO.	A	B	C
1N1150	3-7/32"	2-21/32"	1-1/4"
1N2634			

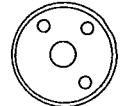


Case Style 6D

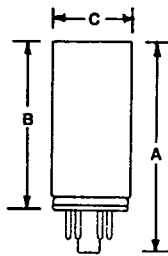
PART NO.	A	B
T7KV	4-1/16	3-1/2
T10KV	5-1/8	4-1/2
1N2637		



OCTAL BASE

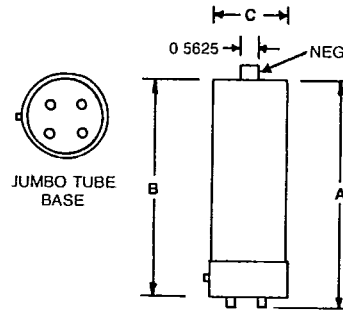


THREE PIN BASE



Case Style 6B

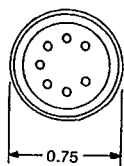
PART NO.	A	B	C	NO. OF PINS
1N1237				8
1N1238				8
1N2631	3-7/32	2-21/32	1-1/4	8
1N2632				8
1N2633				8
1N1239	4-5/16	3-3/4	1-3/8	3
1N1262	4-5/16	3-3/4	1-3/16	8
1N2389	3.25 1.125	2.6875 0.5625	1-3/16	8



JUMBO TUBE BASE

Case Style 6E

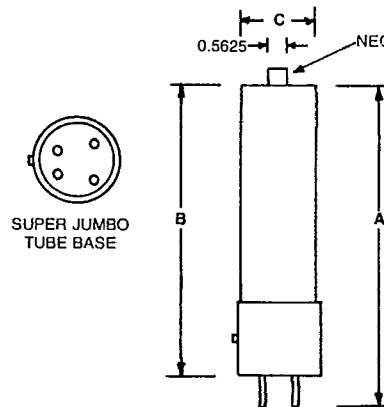
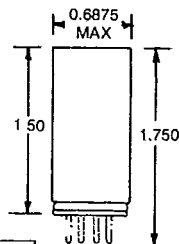
PART NO.	A	B	C	(-) PIN CONN.
2ASLD-10TRA	7-3/4	7-3/8	2-5/16	4
2ASLD-15TR	9-3/4	9-3/8	3-7/8	4



SEVEN PIN MINIATURE BASE

Case Style 6C

PART NO.	A	B
1N2490		
1N2630	1-3/4"	1-1/2"
1N2635		

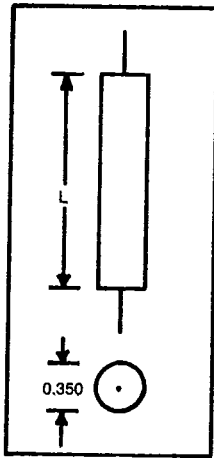


SUPER JUMBO TUBE BASE

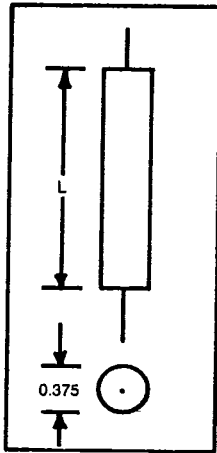
Case Style 6F

PART NO.	A	B	C	(+) PIN CONN.
2ASLD-10TRB	8-1/4	7-1/2	2-5/16	3
2ASLD-40TR	9-1/8	8-3/8	2-5/16	2

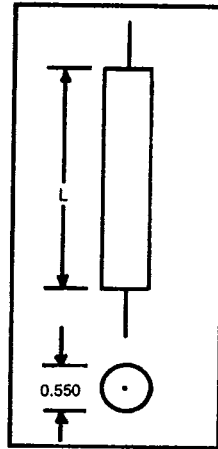
Case Outlines and Dimensions



Case Style 5A*

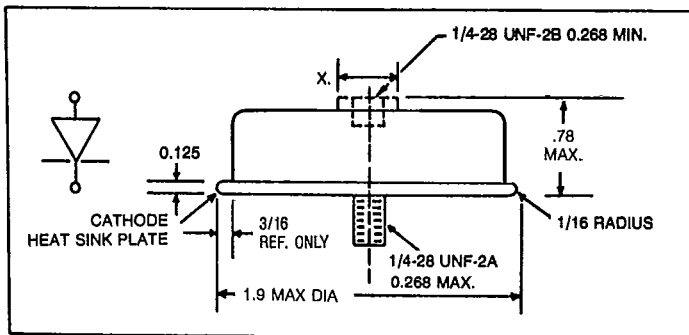


Case Style 5B*

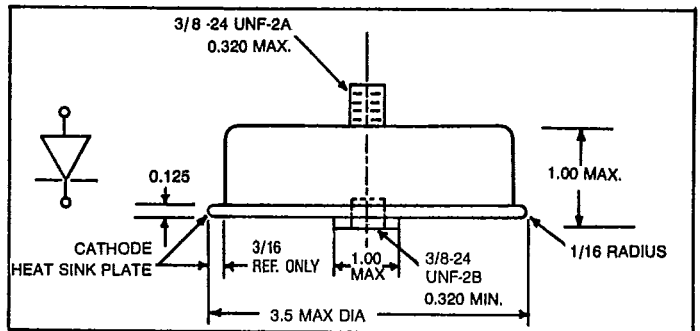


Case Style 5C*

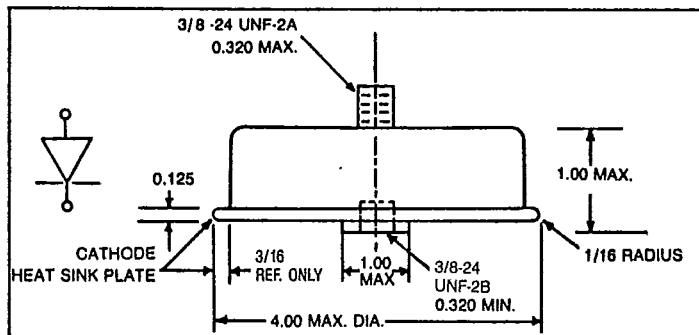
*Lead Length 0.032" x 1.25" Long.



Case Style 7A



Case Style 7B



Case Style 7C