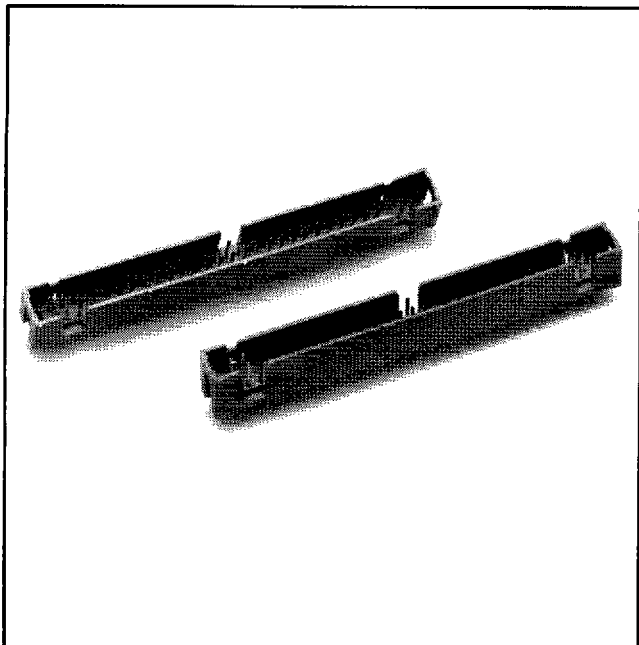


.100" x .100" Low Profile Header

Straight, 4 Wall

2500 Series



- Low profile, space saving design
- Socket compatibility for current design validation
- Center slot polarization prevents mis-insertions and reduces insertion time
- Dual slot polarization means broader compatibility with competitive polarization designs
- Optional retainer clamp for locking sockets in place and increasing connection reliability in vibration-prone environments

69

DataSheet4U.com

TS-0356-08
Sheet 1 of 3

Physical

Insulation

Material: Glass Filled Polyester (PBT)
 Flammability: UL 94V-0
 Color: Gray
 Marking: 3M Logo, and Orientation Triangle

Contact

Material: Phosphor Bronze (C510)
 Plating
 Underplate: 100 μ " [2.54 μ m] Nickel — QQ-N-290, Class 2
 Wiping Area: Gold — MIL-G-45204, Type II, Grade C
 Solder Tails: 200 μ " [5.08 μ m] 60/40 Tin Lead — MIL-P-81728
 Wrap Tails: Gold Flash

Electrical

Current Rating: 2 A
 Insulation Resistance: $>1 \times 10^9 \Omega$ at 500 Vdc
 Withstanding Voltage: 1000 Vrms at Sea Level

DataSheet4U.com

www.DataSheet4U.com

Environmental

Temperature Rating: -55°C to $+105^\circ\text{C}$

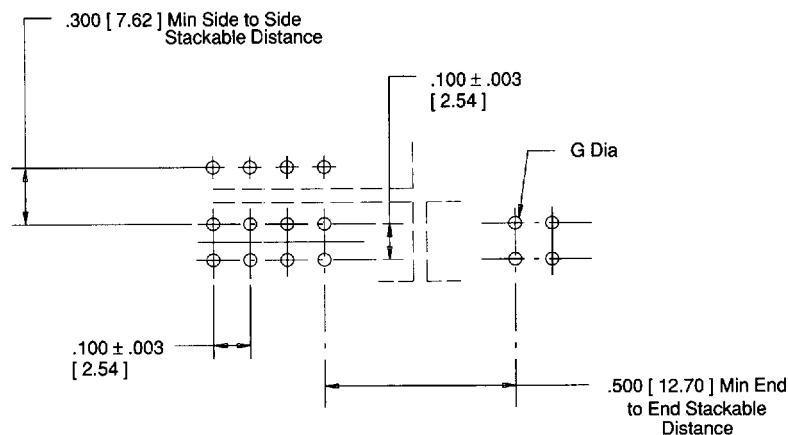
DataSheet4U.com

.100" x .100" Low Profile Header

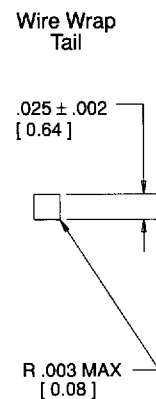
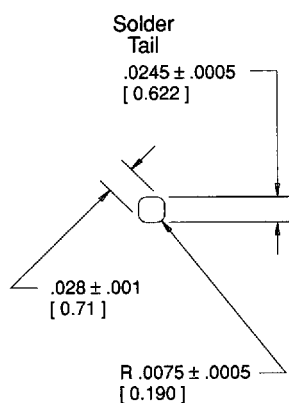
Straight, 4 Wall

2500 Series

3M Part No. Suffix	Tail	Dim E	Dim F			Dim G
-60X2	2	.112 [2.84]	.0245 ± .0005 [0.622]	with	.028 ± .001 [0.71]	Diagonals .035 ± .003 [0.89] (Note 2)
-6003	3	.155 [3.94]	.0245 ± .0005 [0.622]	with	.028 ± .001 [0.71]	Diagonals .035 ± .003 [0.89]
-6005	5	.61 Flef [15.5]			.025 ± .002 [0.64]	.045 ± .003 [1.14]



**Recommended
P.C. Board Hole Pattern
(Shown for mounting side of board)**



Pin Cross Section

Ordering Information

25XX-60XX XX

Pin Quantity:
See Table

Tail

02 = Solder Tails for .062 [1.57] Thick Board.

K2 = Kinked Solder Tails for .062 [1.57] Thick Board.

03 = Solder Tails for .094 to .125 [2.39 to 3.18] Thick Board.

05 = Wrap Tails for up to 3 Levels of Wire Wrap.

Mating Plating Thickness:

For Solder Tail

UG = 10 μm [0.25 μm]

UB = 30 μm [0.76 μm]

For Wrap Tails

EB = 30 μm [0.76 μm]

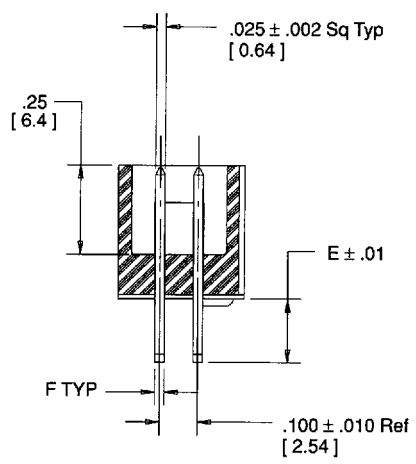
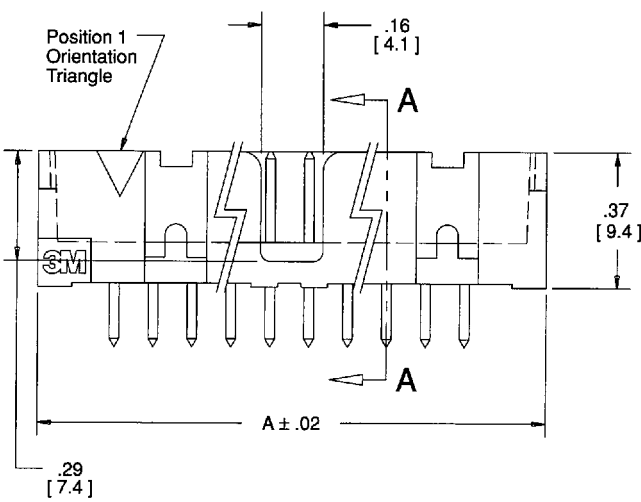
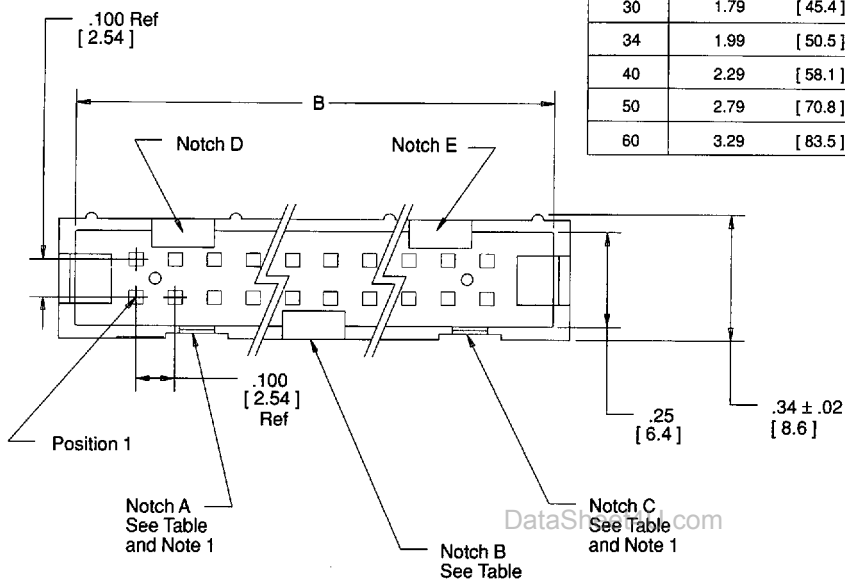
.100" x .100" Low Profile Header

Straight, 4 Wall

2500 Series

Sheet 3 of 3

Pin Qty	Dim A	Dim B	Polarizing Notches Provided
10	0.79 [20.0]	0.70 [17.8]	BC
14	0.99 [25.1]	0.90 [22.8]	BCDE
16	1.09 [27.6]	1.00 [25.4]	ABCDE
20	1.29 [32.7]	1.20 [30.4]	ABCDE
24	1.49 [37.8]	1.40 [35.5]	ABCDE
26	1.59 [40.3]	1.50 [38.1]	ABCDE
30	1.79 [45.4]	1.70 [43.2]	ABCDE
34	1.99 [50.5]	1.90 [48.2]	ABCDE
40	2.29 [58.1]	2.20 [55.9]	ABCDE
50	2.79 [70.8]	2.70 [68.6]	ABCDE
60	3.29 [83.5]	3.20 [81.3]	ABCDE



Section A-A

TS-0356-08

Inch [mm]

Tolerance Unless Noted	.0	.00	.000
Inch	±.1	±.01	±.005

Notes :

1. Notches "A" and "C" will accommodate 3M Polarizing Keys. (Part number 3518 or M3518)
2. The recommended PCB hole size for the kinked tail positions on the .112" solder tail connector is .035" ± .002.

[] Dimensions for Reference Only