

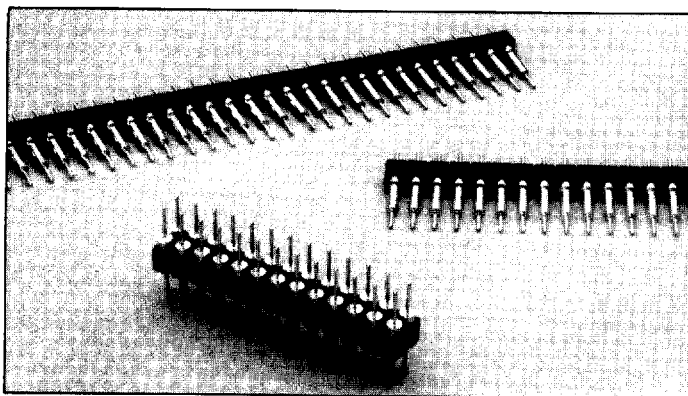
TERMINAL STRIPS



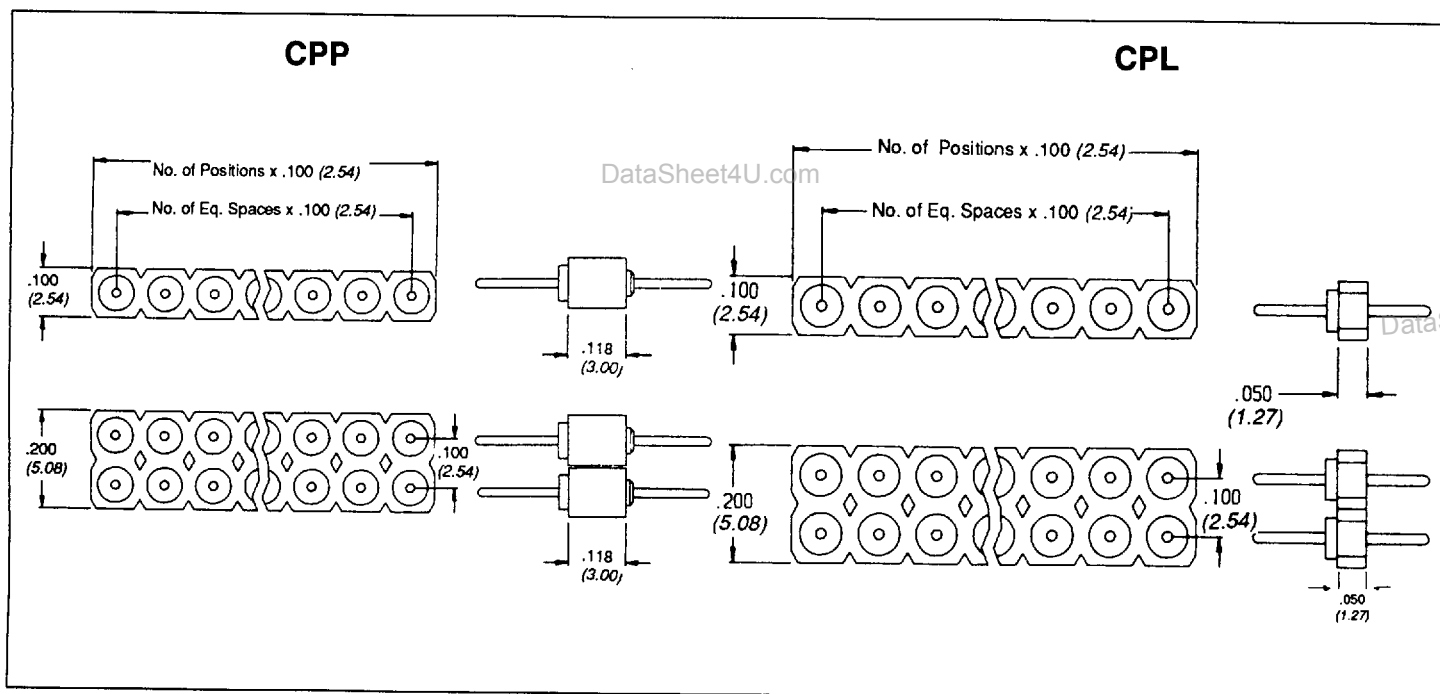
BOARD-TO-BOARD

Screw Machine

CPP/CPL Series



- Notched body snaps to custom sizes of 1 to 64 pins
- Mates with the SBE/SBL Series
- Variety of pin lengths to accommodate different board spacing requirements
- High temp IR compatible (CPP only)



Materials:

Body: Black polyester, glass-filled

Terminals: Brass

Mounting Information:

.018" Dia. Pin = .030" ± .002" PCB Hole
(.76 ± .05)

Performance Characteristics:

Insulation Resistance: 5000 megohms minimum

Dielectric Withstanding Voltage: 500 volts AC

Current Rating: 1 Ampere

Flammability: UL 94V-0

Temperature Range: -65°C to + 125°C

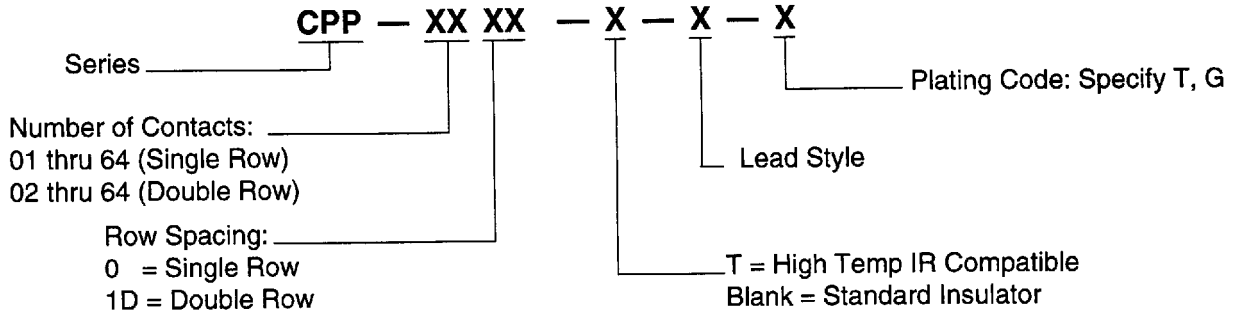
Plating Description:

Suffix: T = 200 μinch (5.08 μm) minimum Tin/Lead

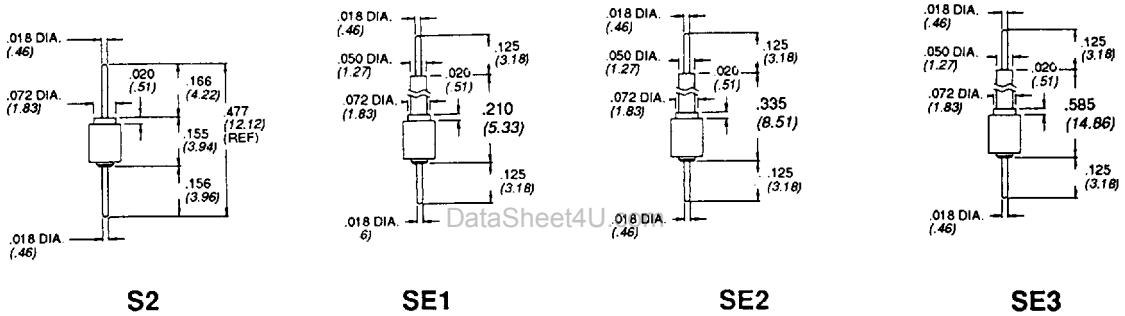
G = 20 μinch (.508 μm) minimum Gold.

All options include an underplate of 50 μinch (1.27 μm) minimum Nickel.

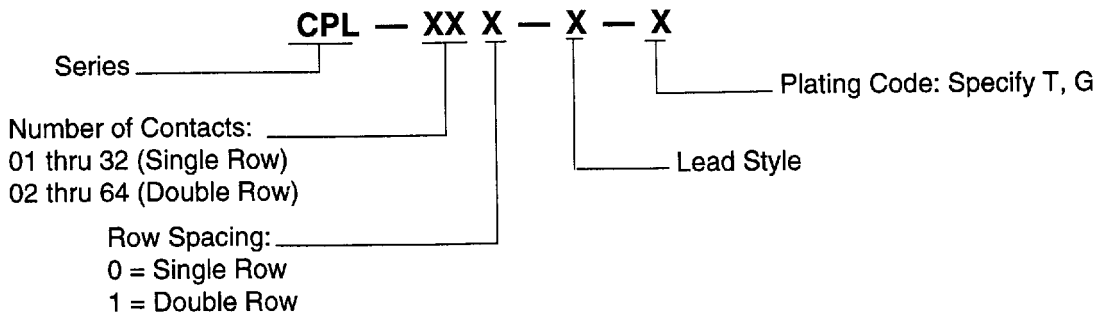
How to Order CPP Series



CPP Lead Styles



How to Order CPL Series



CPL Lead Styles

