



# 3.2 Gbps, 3.3 V, Low Noise, Transimpedance Amplifier

## ADN2880

### FEATURES

**Bandwidth: 2.5 GHz**  
**Optical sensitivity:  $-24.2 \text{ dBm}^1$**   
**Differential transimpedance: 4400 V/A**  
**Power dissipation: 70 mW**  
**Differential output swing: 260 mV p-p**  
**Input overload current: 4.3 mA p-p**  
**On-chip RSSI function**  
**Low frequency cutoff: 20 kHz**  
**On-chip PD filter:  $R_F = 200 \Omega$ ,  $C_F = 20 \text{ pF}$**   
**Die size: 0.7 mm  $\times$  1.2 mm**

### APPLICATIONS

**3.2 Gbps or below optical receivers**  
**SONET/GbE/FC optical receivers**  
**SFF-8472-compliant receivers**  
**PIN/APD-TIA receive optical subassemblies (ROSA)**

### GENERAL DESCRIPTION

The ADN2880 is a 3.3 V, high gain SiGe transimpedance amplifier (TIA). The TIA converts the small signal current of a photo detector into differential voltage output. The ADN2880 features a 315 nA typical input-referred noise, enabling an optical sensitivity of  $-24.2 \text{ dBm}$  ( $0.85 \text{ A/W PIN}$ ). With a bandwidth of 2.5 GHz, the ADN2880 allows a data rate operation up to 3.2 Gbps. Typical power dissipation is approximately 70 mW.

To facilitate the assembly in small form factor packages, such as TO-46 headers, the ADN2880 provides an on-chip RC filter ( $200 \Omega$ ,  $20 \text{ pF}$ ) and features a 20 kHz low frequency cutoff without using an external capacitor. An on-chip RSSI circuit, which generates a voltage proportional to the average photodiode current, is also available for power monitoring and assembly alignment.

The ADN2880 is available in die form. With a chip area of  $1.2 \text{ mm} \times 0.7 \text{ mm}$ , the TIA layout is specifically optimized for TO-Can-based packages.

<sup>1</sup> Based on 1550 nm PIN, responsivity =  $0.85 \text{ A/W}$ , ER = 9 dB, BER <  $10^{-10}$ .

### FUNCTIONAL BLOCK DIAGRAM

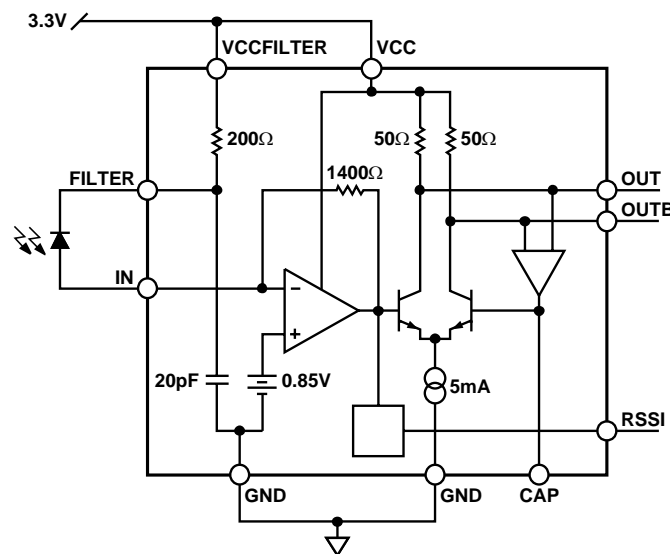


Figure 1.

04945-001

#### Rev. 0

Information furnished by Analog Devices is believed to be accurate and reliable. However, no responsibility is assumed by Analog Devices for its use, nor for any infringements of patents or other rights of third parties that may result from its use. Specifications subject to change without notice. No license is granted by implication or otherwise under any patent or patent rights of Analog Devices. Trademarks and registered trademarks are the property of their respective owners.

One Technology Way, P.O. Box 9106, Norwood, MA 02062-9106, U.S.A.  
 Tel: 781.329.4700 [www.analog.com](http://www.analog.com)  
 Fax: 781.461.3113 © 2005 Analog Devices, Inc. All rights reserved.

**TABLE OF CONTENTS**

|                                 |   |  |    |
|---------------------------------|---|--|----|
| Features .....                  | 1 | Pad Layout and Function Descriptions ..... | 5  |
| Applications.....               | 1 | Typical Performance Characteristics .....  | 6  |
| General Description .....       | 1 | Assembly Recommendations.....              | 9  |
| Functional Block Diagram .....  | 1 | Outline Dimensions .....                   | 12 |
| Revision History .....          | 2 | Die Information.....                       | 12 |
| Electrical Specifications ..... | 3 | Ordering Guide .....                       | 12 |
| Absolute Maximum Ratings.....   | 4 |  |    |
| ESD Caution.....                | 4 |  |    |

**REVISION HISTORY**

7/05—Revision 0: Initial Version

## ELECTRICAL SPECIFICATIONS

Minimum/maximum VCC = 3.3 V  $\pm$  0.3 V, T<sub>AMBIENT</sub> = -40°C to +95°C; typical VCC = 3.3 V, T<sub>AMBIENT</sub> = 25°C, unless otherwise noted.

Table 1.

| Parameter  | Conditions  | Min              | Typ        | Max  | Unit        |
|--|---|------------------|------------|------|-------------|
| <b>DYNAMIC PERFORMANCE</b>                                 |   |                  |            |      |             |
| Bandwidth (BW) <sup>1</sup>                                | -3 dB   | 1.9              | 2.5        |      | GHz         |
| Total Input Referred RMS Noise (I <sub>RMS</sub> )         | C <sub>D</sub> = 0.8 pF, dc to 2.1 GHz  |                  | 315        | 485  | nA          |
| Total Input Referred RMS Noise (I <sub>RMS</sub> )         | C <sub>D</sub> = 0.6 pF, dc to 2.1 GHz  |                  | 300        |      | nA          |
| Small Signal Transimpedance (Z <sub>T</sub> ) <sup>1</sup> | 100 MHz, differential   | 2700             | 4400       | 6200 | V/A         |
|  | 100 MHz, single-ended   | 1350             | 2200       | 3100 | V/A         |
| Low Frequency Cutoff                                       | CAP = open, I <sub>IN</sub> = 20 $\mu$ A  |                  | 20         |      | kHz         |
|  | CAP = 1 nF, I <sub>IN</sub> = 20 $\mu$ A  |                  | 1.0        |      | kHz         |
| Output Return Loss   | DC to 3.5 GHz, differential   |                  | -26        | -20  | dB          |
| Input Overload Current                                     | ER = 10 dB, at 95°C <sup>1</sup>  | 2.1 <sup>1</sup> | 4.3        |      | mA p-p      |
| Maximum Differential Output Swing                          | I <sub>IN, P-P</sub> = 2.0 mA   | 170              | 260        | 375  | mV p-p      |
| Output Data Transition Time                                | I <sub>IN, P-P</sub> = 1.0 mA; 20% to 80% rise/fall time                                |                  | 60         |      | ps          |
| PSRR   | I <sub>IN</sub> = 0 mA, <10 MHz   |                  | 39         |      | dB          |
| Group Delay Variation                                      | 1.0 GHz to 3.0 GHz  |                  | 50         |      | ps          |
| Transimpedance Ripple                                      | 50 MHz to 1.0 GHz, single-ended   |                  | 0.93       |      | dB          |
| Deterministic Jitter                                       | 10 $\mu$ A < I <sub>IN, P-P</sub> $\leq$ 100 $\mu$ A, K28.5 @ 3.2 Gbps                  |                  | 16         |      | ps p-p      |
|  | 100 $\mu$ A < I <sub>IN, P-P</sub> $\leq$ 2.0 mA, K28.5 @ 3.2 Gbps                      |                  | 25         |      | ps p-p      |
|  | 10 $\mu$ A < I <sub>IN, P-P</sub> $\leq$ 2.0 mA, PRBS 2 <sup>31</sup> - 1 at OC48 (FEC) |                  | 38         |      | ps p-p      |
| Linear Output Range  | Differential, <1 dB compression   |                  | 210        |      | mV p-p      |
| Linear Input Current Range                                 | Single-ended, <1 dB compression   |                  | 53         |      | $\mu$ A p-p |
| <b>DC PERFORMANCE</b>                                      |   |                  |            |      |             |
| Power Dissipation  | I <sub>IN, AVE</sub> = 0 mA   |                  | 70         | 110  | mW          |
| Input Voltage  | Compliance voltage  |                  | 0.85       |      | V           |
| Output Common-Mode Voltage                                 | DC (50 $\Omega$ ) terminated to VCC   |                  | VCC - 0.12 |      | V           |
| Output Impedance   | Single-ended  |                  | 50         |      | $\Omega$    |
| PD FILTER Resistance                                       | R <sub>F</sub>  |                  | 200        |      | $\Omega$    |
| PD FILTER Capacitance                                      | C <sub>F</sub>  |                  | 20         |      | pF          |
| RSSI Gain  | I <sub>IN, AVE</sub> = 5 $\mu$ A to 1 mA  |                  | 0.85       |      | V/mA        |
| RSSI Offset  | I <sub>IN, AVE</sub> = 10 $\mu$ A   |                  | 8.0        |      | mV          |
| RSSI Accuracy  | 5 $\mu$ A < I <sub>IN, P-P</sub> $\leq$ 20 $\mu$ A                                      |                  | $\pm$ 7    |      | %           |
|  | 20 $\mu$ A < I <sub>IN, P-P</sub> $\leq$ 1 mA   |                  | $\pm$ 3    |      | %           |

<sup>1</sup> An equivalent I<sub>IN, P-P</sub> = 13  $\mu$ A current signal is applied to the TIA input. No input capacitor is applied.

## ABSOLUTE MAXIMUM RATINGS

Table 2.

| Parameter   | Rating          |
|---|-----------------|
| Supply Voltage (VCC to GND)                         | 5 V             |
| Maximum Voltage to All Input and Output Signal Pins | VCC + 0.4 V     |
| Minimum Voltage to All Input and Output Signal Pins | GND – 0.4 V     |
| Maximum Input Current                               | 10 mA           |
| Storage Temperature Range                           | –65°C to +125°C |
| Operating Ambient Temperature Range                 | –40°C to +95°C  |
| Maximum Junction Temperature                        | 125°C           |
| Die Attach Temperature (<30 sec)                    | 410°C           |

Stresses above those listed under Absolute Maximum Rating may cause permanent damage to the device. This is a stress rating only; functional operation of the device at these or any other conditions above those indicated in the operational section of this specification is not implied. Exposure to absolute maximum rating conditions for extended periods may affect device reliability.

### ESD CAUTION

ESD (electrostatic discharge) sensitive device. Electrostatic charges as high as 4000 V readily accumulate on the human body and test equipment and can discharge without detection. Although this product features proprietary ESD protection circuitry, permanent damage may occur on devices subjected to high energy electrostatic discharges. Therefore, proper ESD precautions are recommended to avoid performance degradation or loss of functionality.



## PAD LAYOUT AND FUNCTION DESCRIPTIONS

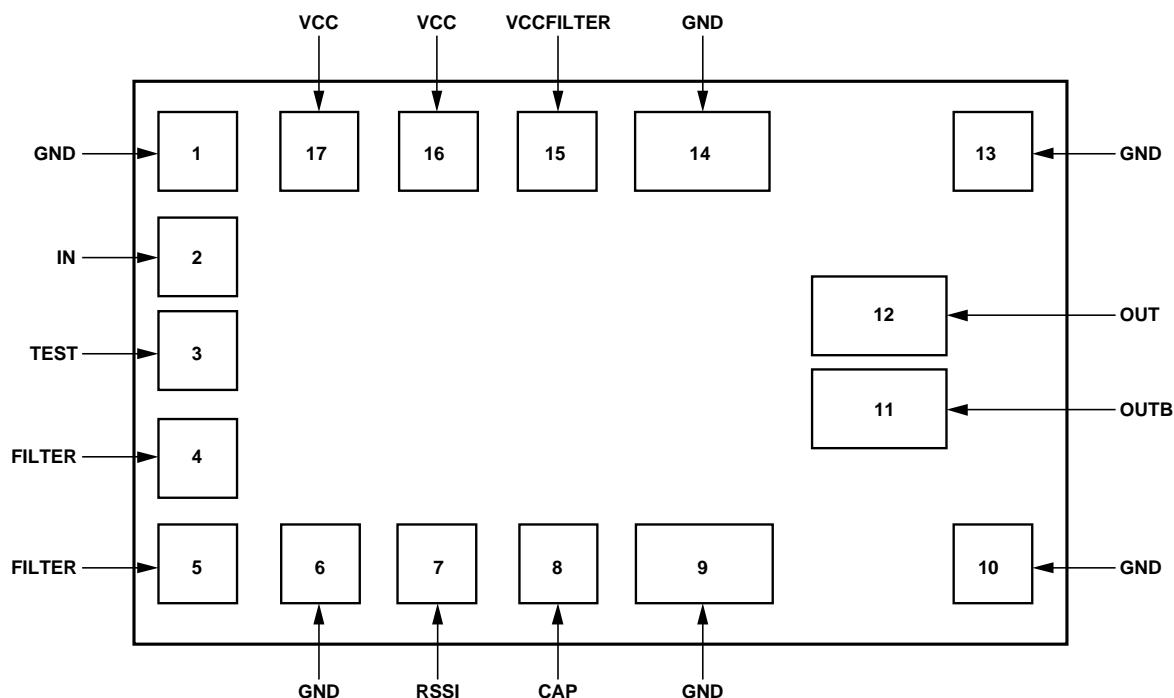


Figure 2. Pad Layout

04945-002

Table 3. Pad Function Descriptions

| Pad No.       | Mnemonic  | Pin Type <sup>1</sup> | Description  |
|---------------|-----------|-----------------------|--|
| 1             | GND       | P                     | Ground. (Input return.)  |
| 2             | IN        | AI                    | Current Input. Bond directly to a photodiode (PD) anode.   |
| 3             | TEST      | AI                    | Test Probe Pad. Do not connect.  |
| 4, 5          | FILTER    | AO                    | Filter Output. Pad 4 and Pad 5 are metal connected. Optional bond to a PD cathode.                                       |
| 6             | GND       | P                     | Ground.  |
| 7             | RSSI      | AO                    | Voltage Output. Provides average input current monitoring. If not used, connect to ground.                               |
| 8             | CAP       | AI                    | Low Frequency Cutoff (LFC) Setpoint. For SONET applications, see Figure 10 and contact sales for assembly details.       |
| 9, 10, 13, 14 | GND       | P                     | Ground. (Output return.)   |
| 11            | OUTB      | AO                    | Negative Output, CML, On-Chip 50 $\Omega$ Termination (AC or DC Termination).  |
| 12            | OUT       | AO                    | Positive Output, CML, On-Chip 50 $\Omega$ Termination (AC or DC Termination).  |
| 15            | VCCFILTER | P                     | On-Chip Filter Supply. Connect to VCC to Enable On-Chip RC Filter (200 $\Omega$ , 20 pF). Leave unconnected if not used. |
| 16, 17        | VCC       | P                     | 3.3 V Supply. Place a 200 pF, RF decoupling capacitor close to the power pad to reduce the power noise.                  |

<sup>1</sup> P = power; AI = analog input; and AO = analog output.

## TYPICAL PERFORMANCE CHARACTERISTICS

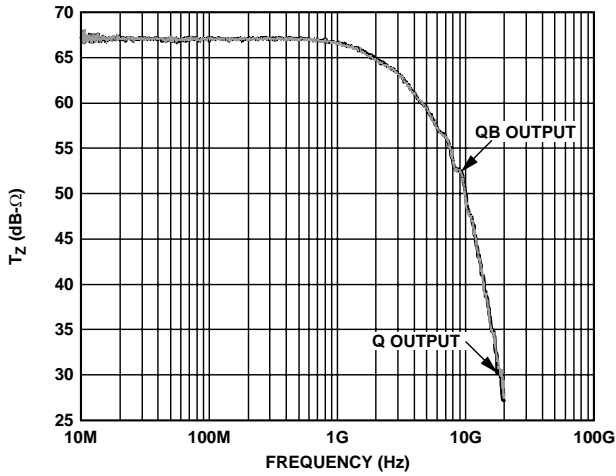


Figure 3. Single-Ended Transimpedance vs. Frequency

04945-017

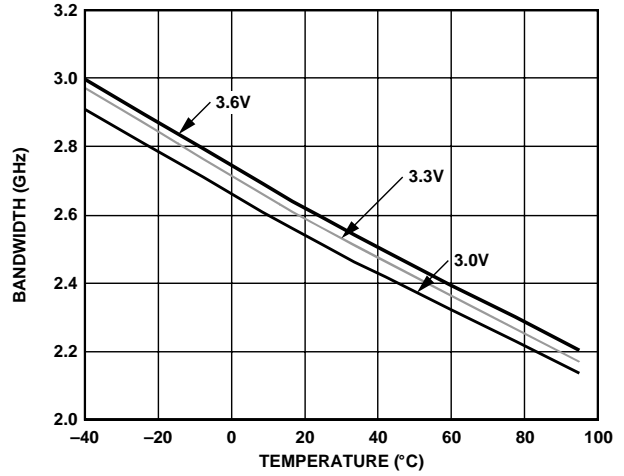


Figure 6. Bandwidth vs. VCC and Temperature

04945-019

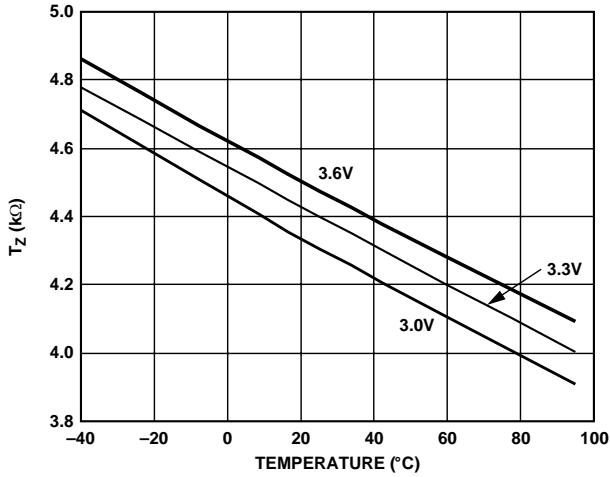


Figure 4. Differential Transimpedance vs. VCC and Temperature

04945-018

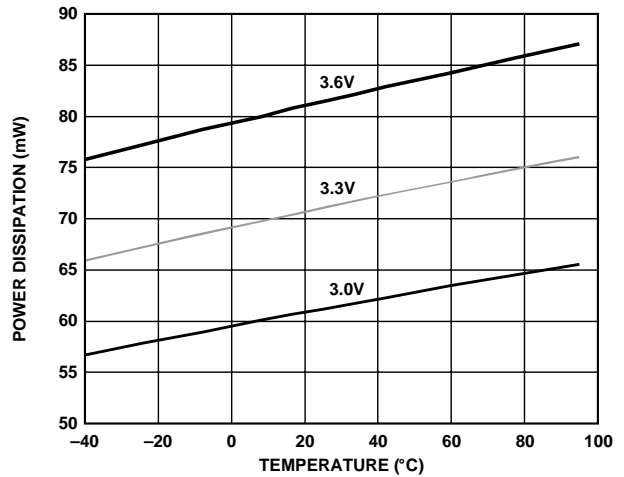


Figure 7. Power Dissipation vs. VCC and Temperature

04945-020

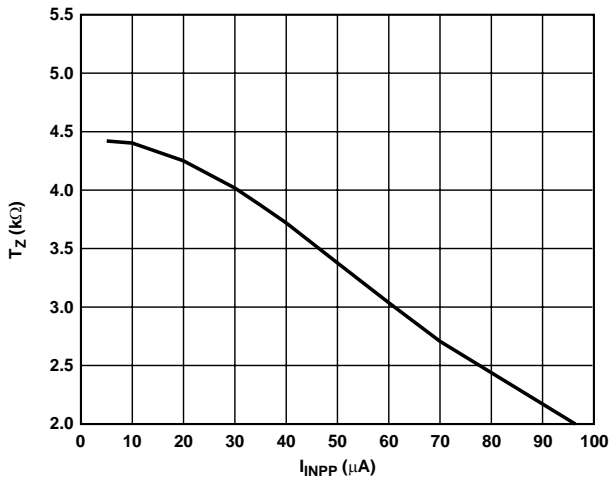


Figure 5. Differential Transimpedance vs. Input Current

04945-027

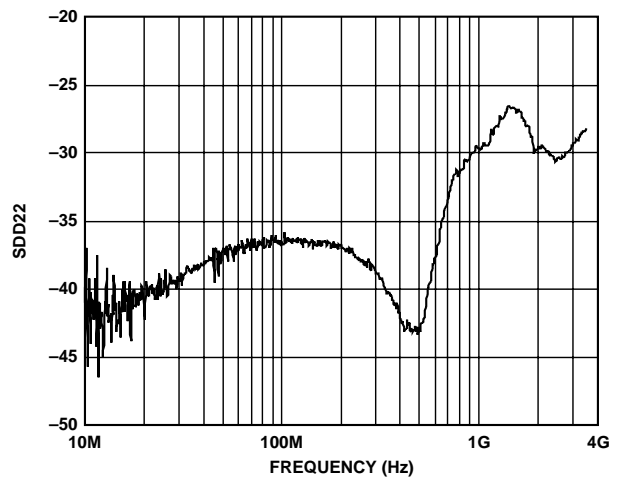


Figure 8. SDD22 vs. Frequency up to 3.5 GHz, CAP = Open

04945-021

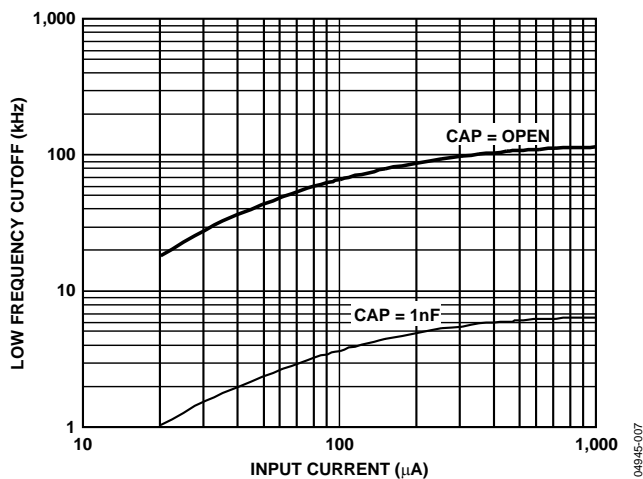


Figure 9. Low Frequency Cutoff vs. Input Current

04945-007

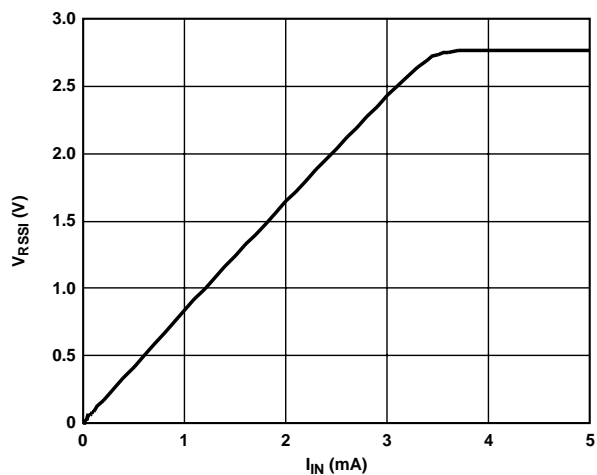


Figure 12. Full-Scale of RSSI Voltage Output vs. Input Current

04945-008

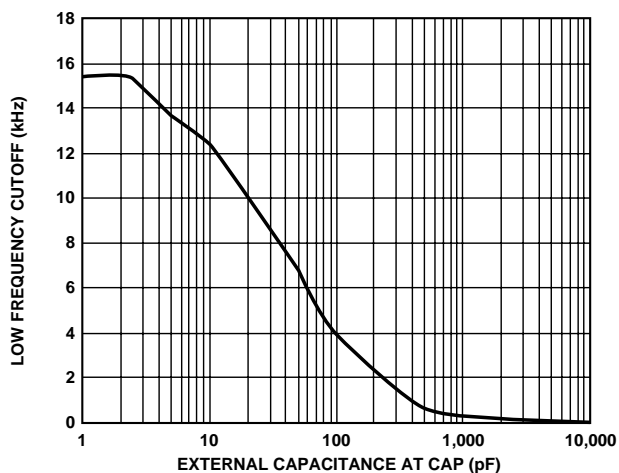


Figure 10. Low Frequency Cutoff vs. Capacitance at CAP

04945-031

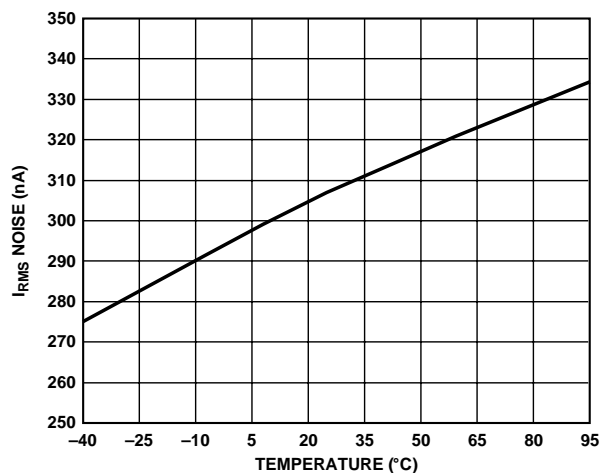


Figure 13. Input Noise vs. Temperature with 2 GHz Low-Pass Filter

04945-028

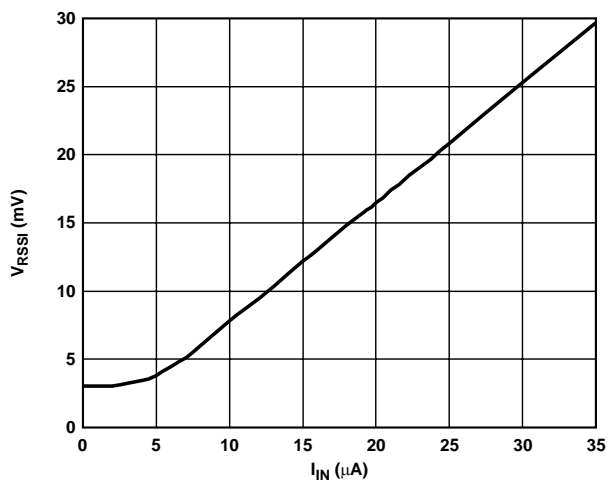


Figure 11. RSSI Voltage Output vs. Input Current (0 µA to 35 µA)

04945-024

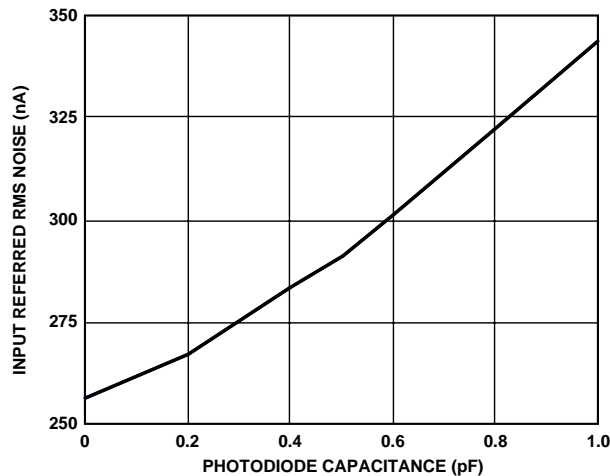
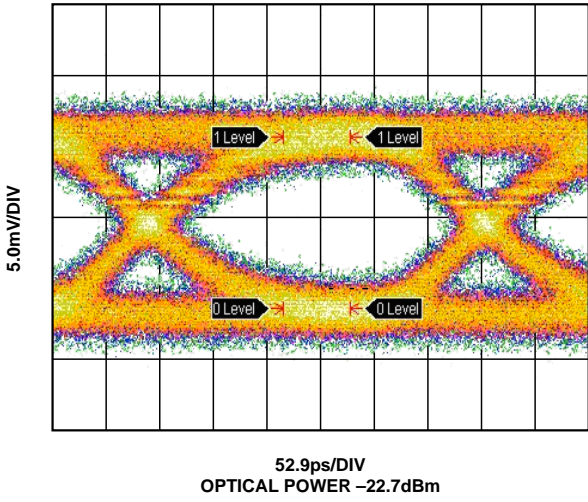


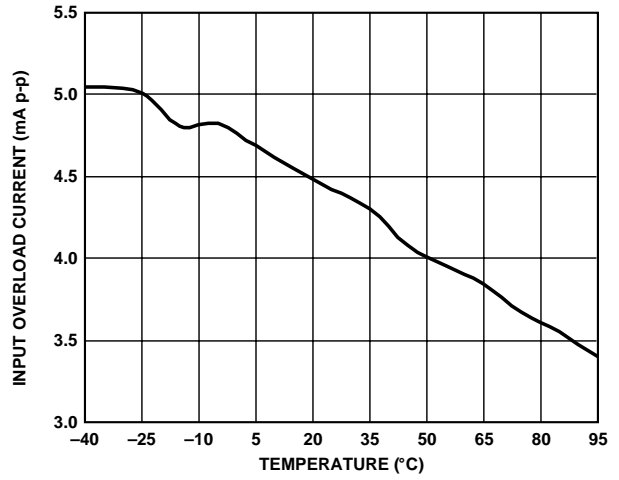
Figure 14. Input Referred Noise (DC to 2.0 GHz) vs. Photodiode Capacitance  $C_D$  (pF)

04945-048



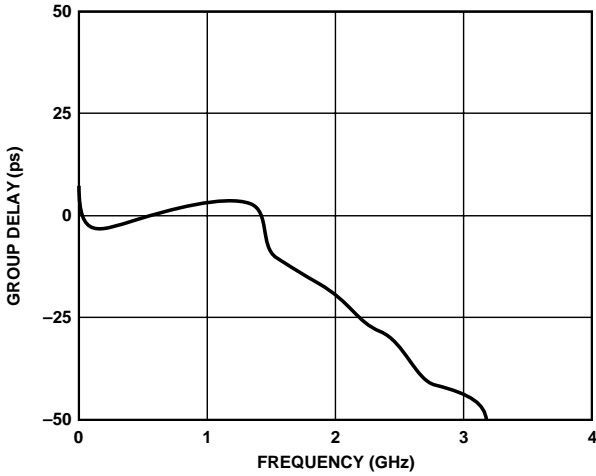
04945-011

Figure 15. Output Eye at 3.2 Gbps with BER <math>< 10^{-10}</math> (Based on a 1550 nm PIN, Responsivity = 0.91 A/W, ER = 9 dB, PRBS 2<sup>31</sup>)



04945-030

Figure 17. Input Overload Current vs. Temperature



04945-010

Figure 16. Group Delay vs. Frequency



# ASSEMBLY RECOMMENDATIONS

## Coplanar PIN Photodiode for SDH/SONET

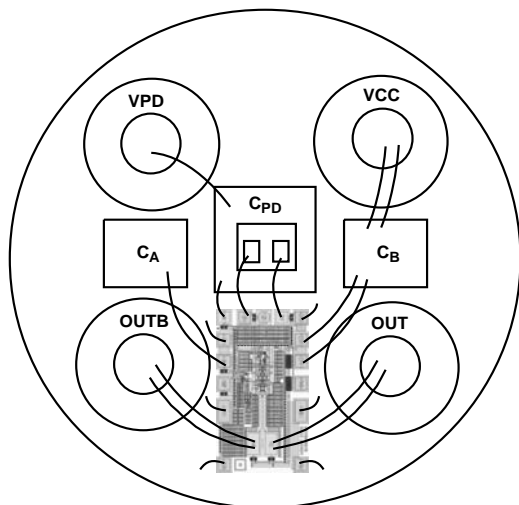


Figure 18. 5-Pin TO-46 with External Photodiode Supply  $V_{PD}$  Connected Through the FILTER Pin

04945-042

## Dual Planar PIN/APD Photodiode for SDH/SONET

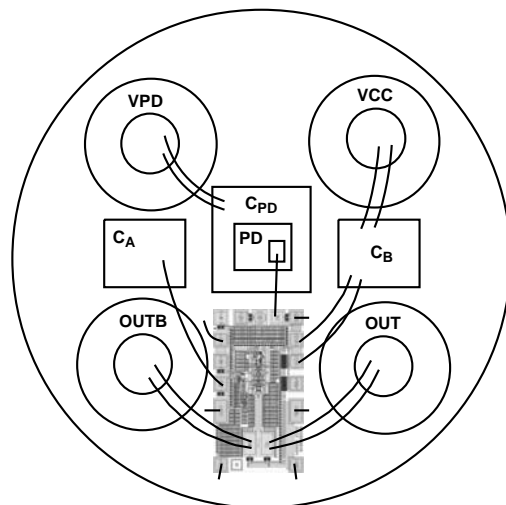


Figure 20. 5-Pin TO-46 with External Photodiode Supply  $V_{PD}$  to a Dual Planar PIN or APD

04945-048

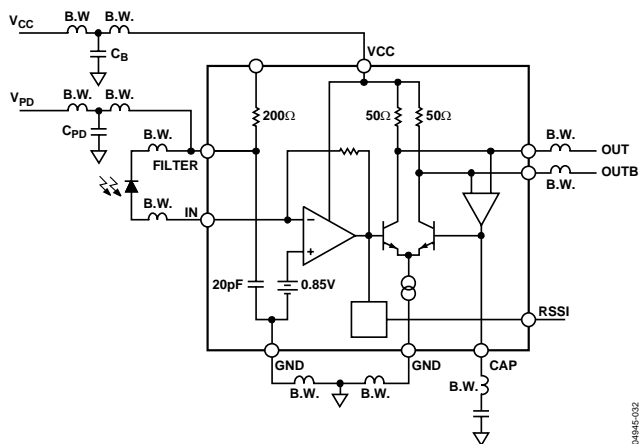


Figure 19. Equivalent Circuit of the Assembly Including Bond Wires

04945-032

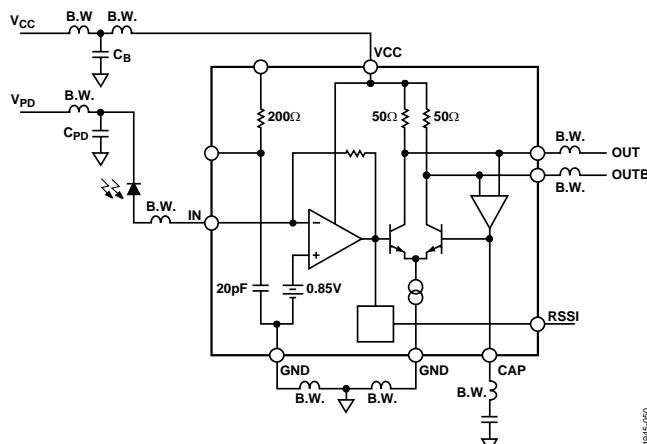


Figure 21. For Dual Planar PDs, No Connection to FILTER Pin

04945-050

Table 4. Bill of Materials (BOM)

| Component       | Description  |
|-----------------|--|
| PD              | 1× vendor specific, 2.5 Gbps, photodiode                         |
| TIA             | 1× ADN2880 (0.7 mm × 1.2 mm), 3.2 Gbps, transimpedance amplifier |
| C <sub>B</sub>  | 1× 200 pF, RF single-layer capacitor                             |
| C <sub>PD</sub> | 1× 560 pF, RF single-layer capacitor                             |
| C <sub>A</sub>  | 1× 1000 pF, ceramic capacitor (optional for SDH)                 |

### Notes

One mil thickness, gold wire, ball bond recommended.

Minimize all GND bond-wire lengths.

Minimize IN, FILTER, OUT, and OUTB bond-wire lengths.

Maintain symmetry in length and orientation between OUT and OUTB bond wires.

Maintain symmetry in length and orientation between IN and FILTER bond wires.

Maintain symmetry between IN/FILTER and OUT/OUTB bond wires.

# ADN2880

## PIN Photodiode for a Non-SDH/SONET Application

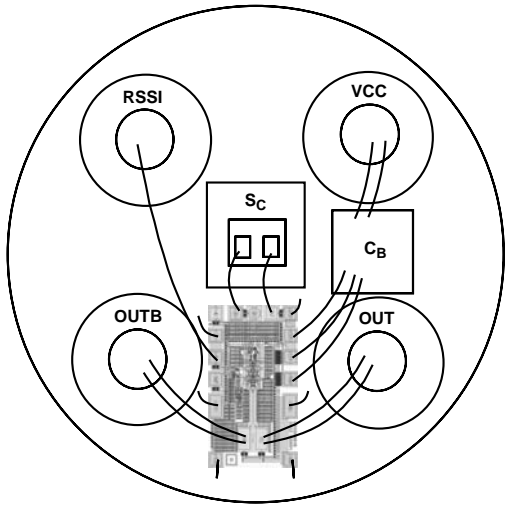


Figure 22. Coplanar PIN and RSSI Layout for a 5-Pin TO-46

04945-044

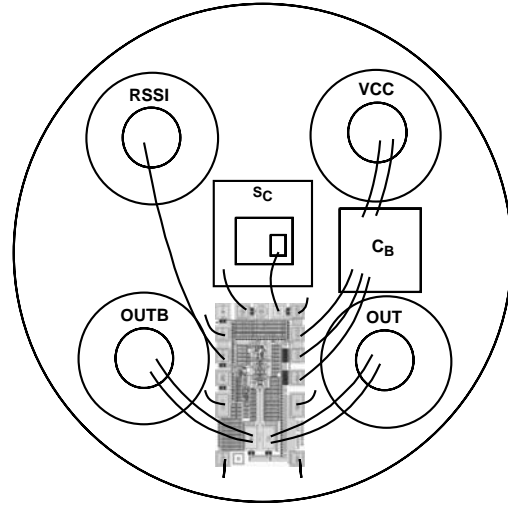


Figure 24. Dual Planar PIN and RSSI Layout for a 5-Pin TO-46

04945-022

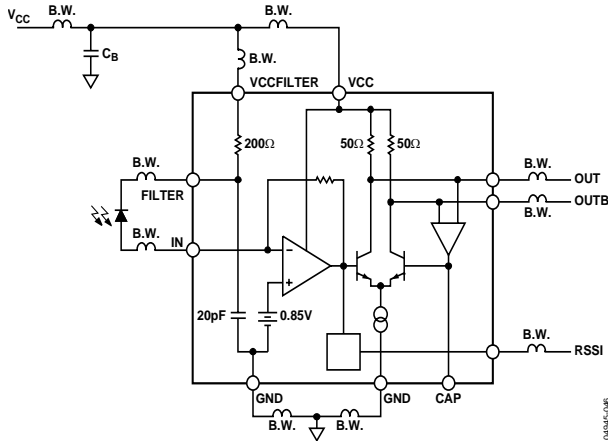


Figure 23. Equivalent Circuit with Bond Wires, as Shown in Figure 22

04945-046

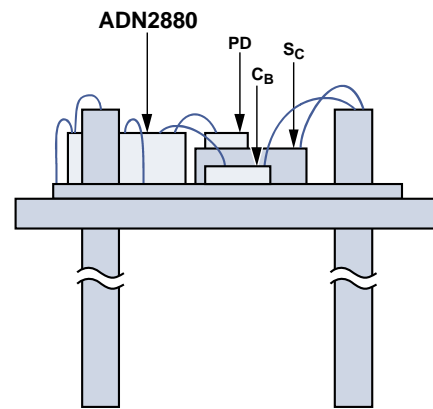


Figure 25. Side View of the Assembly, as Shown in Figure 22

04945-040

Table 5. Bill of Materials (BOM)

| Component      | Description  |
|----------------|--|
| PD             | 1× vendor specific, 2.5 Gbps, photodiode                         |
| TIA            | 1× ADN2880 (0.7 mm × 1.2 mm), 3.2 Gbps, transimpedance amplifier |
| C <sub>B</sub> | 1× 200 pF, RF single-layer capacitor                             |
| SC             | 1× ceramic standoff or 1× optional capacitor                     |

### Notes

One mil thickness, gold wire, ball bond recommended.

Minimize all GND bond-wire lengths.

Minimize IN, FILTER, OUT, and OUTB bond-wire lengths.

Maintain symmetry in length and orientation between OUT and OUTB bond wires.

Maintain symmetry in length and orientation between IN and FILTER bond wires.

Maintain symmetry between IN/FILTER and OUT/OUTB bond wires.

PIN Photodiode for Non-SDH/SONET Applications

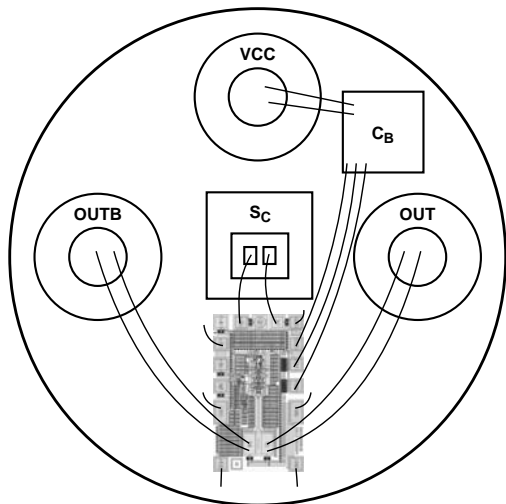


Figure 26. Coplanar PIN for a 4-Pin TO-46

04945-043

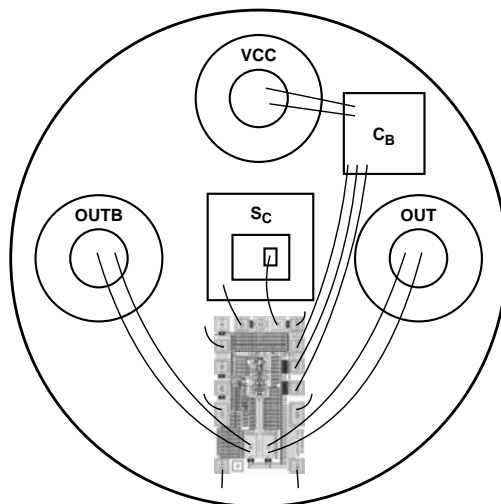


Figure 28. Dual Planar PIN for a 4-Pin TO-46

04945-051

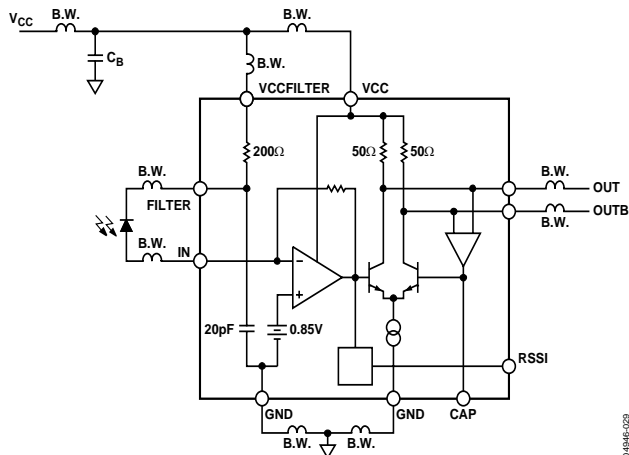


Figure 27. Equivalent Circuit with Bond Wires, as Shown in Figure 26

04945-029

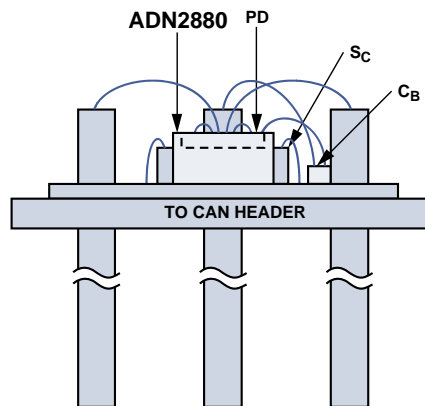


Figure 29. Side View of the Assembly, as Shown in Figure 26

04945-039

Table 6. Bill of Materials (BOM)

| Component | Description  |
|-----------|--|
| PD        | 1× vendor specific, 2.5 Gbps, photodiode                         |
| TIA       | 1× ADN2880 (0.7 mm × 1.2 mm), 3.2 Gbps, transimpedance amplifier |
| CB        | 1× 200 pF, RF single-layer capacitor                             |
| SC        | 1× ceramic standoff or 1× optional 1000 pF capacitor             |

Notes

One mil thickness, gold wire, ball bond recommended.

Minimize all GND bond-wire lengths.

Minimize IN, FILTER, OUT, and OUTB bond-wire lengths.

Maintain symmetry in length and orientation between OUT and OUTB bond wires.

Maintain symmetry in length and orientation between IN and FILTER bond wires.

Maintain symmetry between IN/FILTER and OUT/OUTB bond wires.

## OUTLINE DIMENSIONS

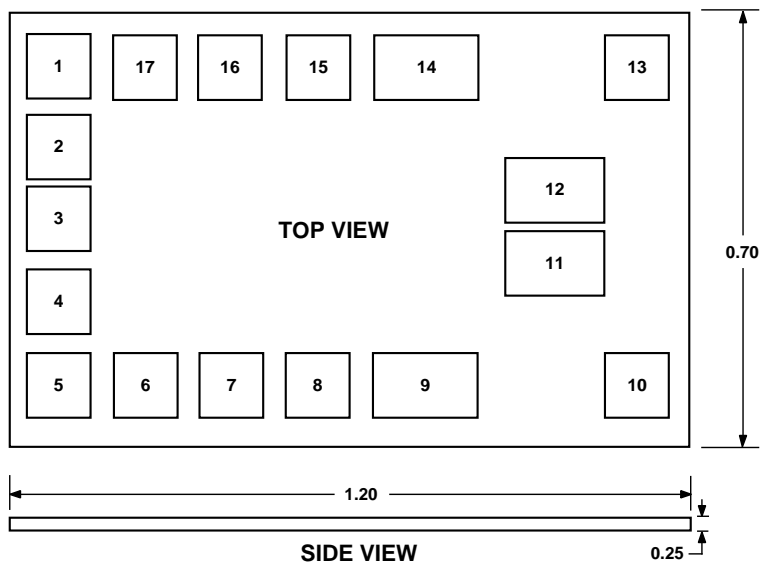


Figure 30. 17-Pad Bare Die Sales [CHIP]  
Dimensions shown in millimeters

Table 7. Pad Coordinates

| Pad No. | Mnemonic  | X ( $\mu\text{m}$ ) | Y ( $\mu\text{m}$ ) |
|---------|-----------|---------------------|---------------------|
| 1       | GND       | -500                | +260                |
| 2       | IN        | -500                | +130                |
| 3       | TEST      | -500                | +10                 |
| 4       | FILTER    | -500                | -120                |
| 5       | FILTER    | -500                | -260                |
| 6       | GND       | -350                | -260                |
| 7       | RSSI      | -200                | -260                |
| 8       | CAP       | -50                 | -260                |
| 9       | GND       | +130                | -260                |
| 10      | GND       | +500                | -260                |
| 11      | OUTB      | +350                | -60                 |
| 12      | OUT       | +350                | +60                 |
| 13      | GND       | +500                | +260                |
| 14      | GND       | +130                | +260                |
| 15      | VCCFILTER | -50                 | +260                |
| 16      | VCC       | -200                | +260                |
| 17      | VCC       | -350                | +260                |

### DIE INFORMATION

#### Die Size

0.7 mm  $\times$  1.2 mm (edge-to-edge, including 1 mil scribe)

#### Die Thickness

10 mils = 0.25 mm

#### Passivation Openings

0.075 mm  $\times$  0.075 mm (Pad 1 to Pad 8, Pad 10, Pad 13,  
Pad 15 to Pad 17)

0.144 mm  $\times$  0.075 mm (Pad 9, Pad 11, Pad 12, Pad 14)

#### Passivation Composition

5000 Å  $\text{Si}_3\text{N}_4$  (top)

5000 Å  $\text{SiO}_2$  (bottom)

#### Pad Composition

Al/1%Cu

#### Substrate Contact

To ground

### ORDERING GUIDE

| Model         | Temperature    | Package Description |
|---------------|----------------|---------------------|
| ADN2880ACHIPS | -40°C to +95°C | 17-Pad Die Sales    |