



PRODUCT SPECIFICATION

Model No : CST-5234A9/5235A9

Descriptions:

- 0.52 Inch Triad Digit Display
- CST-5234: Common Anode
- CST-5235: Common Cathode
- Emitting Color: Super Bright Amber



| CUSTOMER APPROVED SIGNATURES | APPROVED BY | CHECKED BY | PREPARED BY |
|---------------------------------|-------------|------------|-------------|
| | | | |

CHINA SEMICONDUCTOR CORPORATION

Address:2FL. NO.909,Chung-Cheng Road,
Chung-Ho City Taipei Hsien,Taiwan.

Tel:886-2-2223-9696

Fax:886-2-2223-9377

OPTO PLUS TECHNOLOGIES CO.,LTD

Address:696 Shun jiang Rd.,Ji Shan St.Shaoxing,
ZheJiang,China

Tel:86-0575-88623888

Fax:86-0575-88623112



| | |
|------------------|----------------|
| Spec. No. | PS-ND-08090109 |
| Rev. | A |

Model No : CST-5234/5235A9

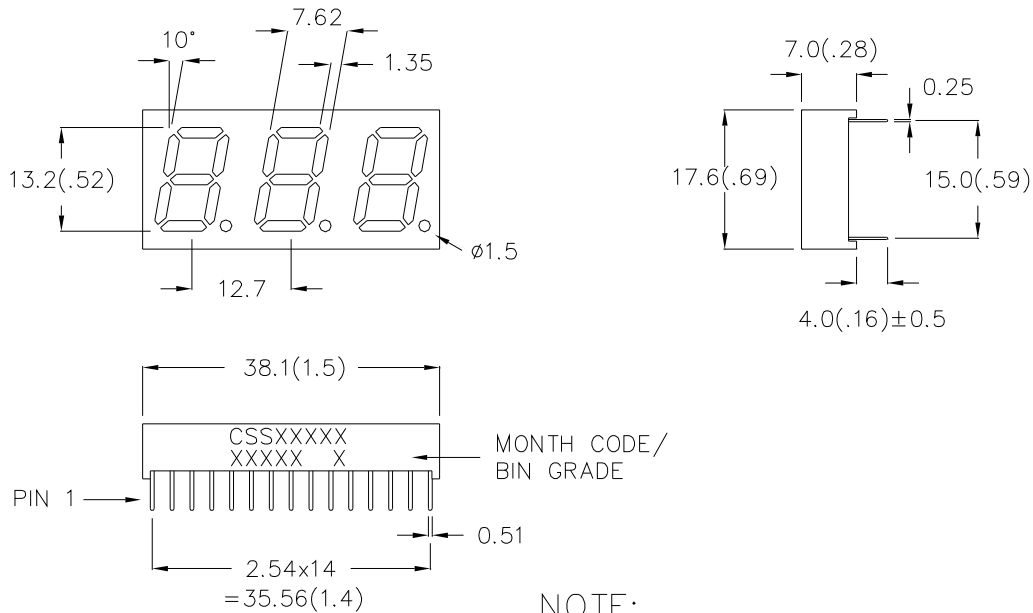
Features -

1. 0.52 inch (13.2mm) digit height.
2. Case mold type.
3. RoHS compliant.
4. Low power consumption.
5. Easy mounting on P.C. board or socket.

Device Selection Guide -

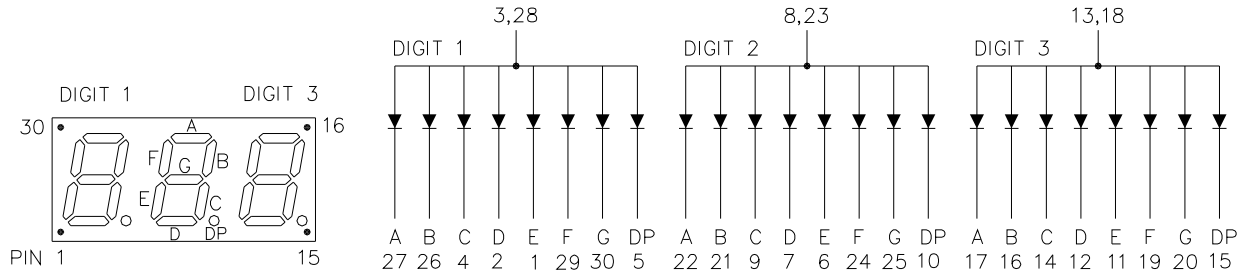
| Part No. | Chip | | Description |
|-------------------|----------------|---------------------------|-----------------------|
| | Material | Emitted Color | |
| CST-5234A9 | AlGaInP | Super Bright Amber | Common Anode |
| CST-5235A9 | AlGaInP | Super Bright Amber | Common Cathode |

Package Dimensions -



NOTE:

2. Dimension in millimeter (inch), and tolerance is ± 0.25 (.01) unless otherwise noted.


Model No : CST-5234/5235A9
Internal Circuit Diagrams -


CST-5234 Common Anode. (CST-5235 is Common Cathode.)

Absolute Maximum Rating -

(Ta=25°C)

| Parameter | Symbol | Rating | Unit |
|---|------------------------|-----------|-------|
| Power Dissipation Per Dice | P_{AD} | 70 | mW |
| Continuous Forward Current Per Dice | I_{AF} | 25 | mA |
| Peak Current Per Dice(duty cycle 1/10, 1kHz) | I_{PF} | 90 | mA |
| Derating Linear From 25°C Per Dice | - | 0.33 | mA/°C |
| Reverse Voltage Per Dice | V_R | 5 | V |
| Operating Temp. | T_{opr} | -35 ~ +85 | °C |
| Storage Temp. | T_{stg} | -35 ~ +85 | °C |
| Solder temperature 1/16 inch below seating plane for 3 seconds at 260°C | | | |



| | |
|-----------|----------------|
| Spec. No. | PS-ND-08090109 |
| Rev. | A |

Model No : CST-5234/5235A9

■ **Electro-optical Characteristics -**

(Ta=25°C)

| Parameter | Symbol | Min. | Typ. | Max. | Unit | Condition |
|-----------------------------------|----------------|------|------|------|------|----------------------|
| Forward Voltage Per Segment | V _F | - | 2.0 | 2.8 | V | I _F =20mA |
| Luminous Intensity Per Segment | I _v | - | 25 | - | mcd | I _F =10mA |
| Peak Emission Wavelength | λ _p | - | 612 | - | nm | I _F =20mA |
| Dominant Wavelength | λ _d | - | 606 | - | nm | I _F =20mA |
| Spectrum Radiation Bandwidth | Δλ | - | 20 | - | nm | I _F =20mA |
| Reverse Current | I _R | - | - | 100 | μA | V _R =5V |
| Luminous Intensity Matching Ratio | IV-m | - | - | 2:1 | - | I _F =10mA |



| | |
|------------------|----------------|
| Spec. No. | PS-ND-08090109 |
| Rev. | A |

Model No : CST-5234/5235A9

Typical Electrical / Optical Characteristics Curves -

(Ta = 25°C Unless Otherwise Noted)

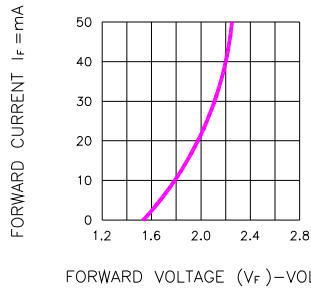


Fig.1 FORWARD CURRENT VS. FORWARD VOLTAGE

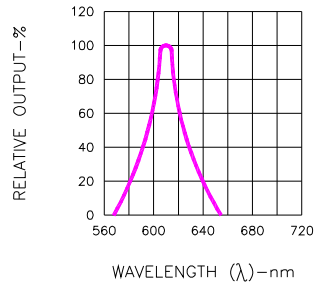


Fig.2 SPECTRAL RESPONSE

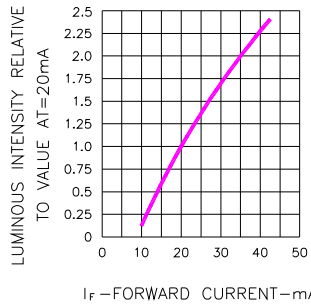


Fig.3 RELATIVE LUMINOUS INTENSITY VS. FORWARD CURRENT

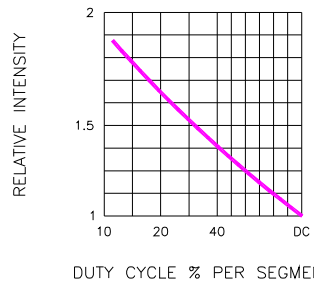


Fig.5 LUMINOUS INTENSITY VS. DUTY CYCLE
(AVERAGE I_f = 10mA)

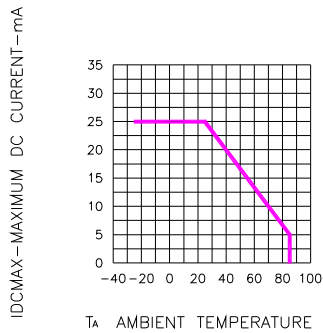


Fig.4 MAXIMUM ALLOWABLE DC CURRENT PER SEGMENT VS. A FUNCTION OF AMBIENT TEMPERATURE

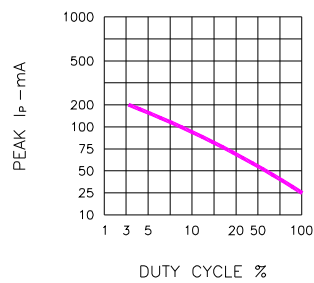


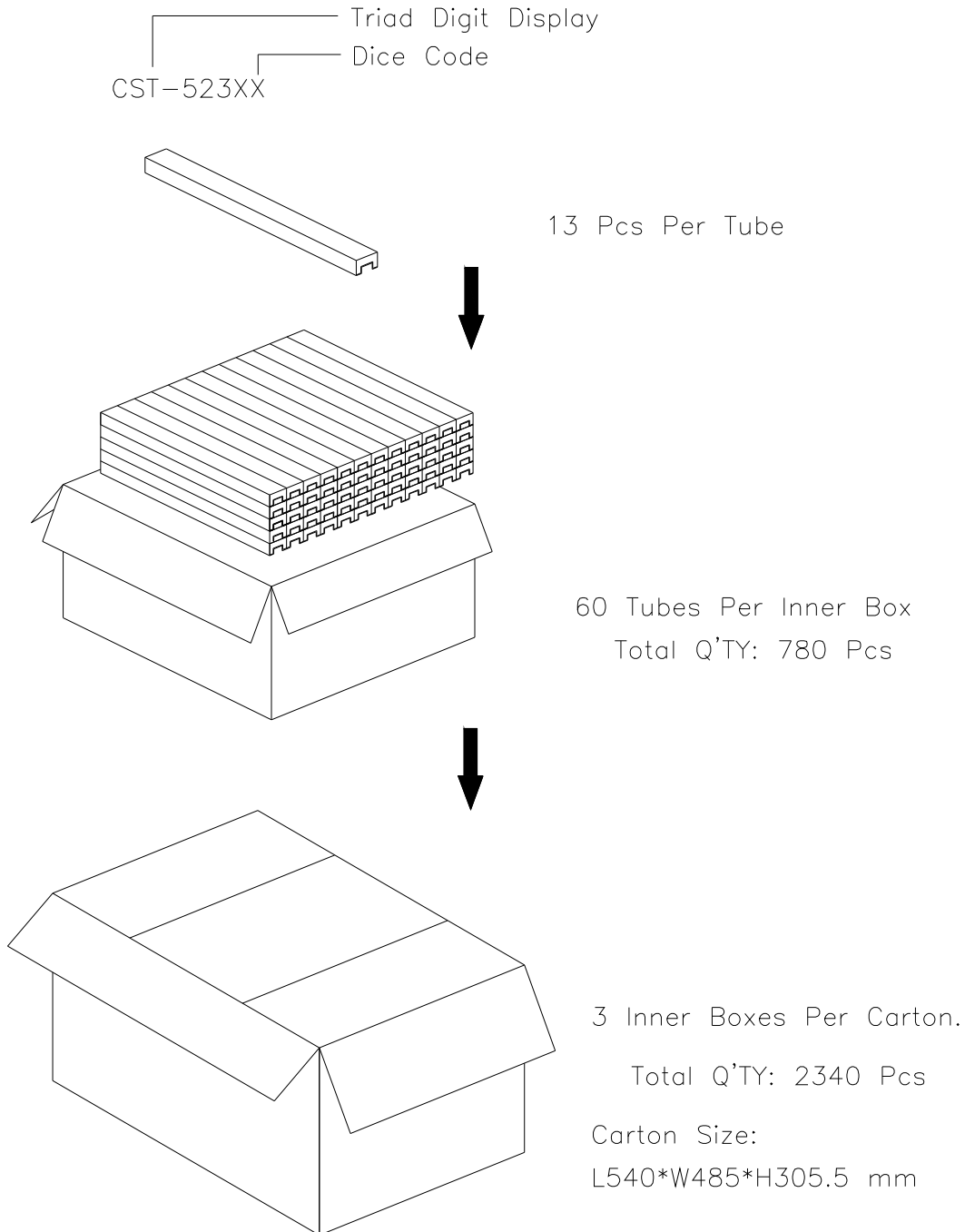
Fig.6 MAX PEAK CURRENT VS. DUTY CYCLE %
(REFRESH RATE f = 1 KHz)



| | |
|-----------|----------------|
| Spec. No. | PS-ND-08090109 |
| Rev. | A |

Model No : CST-5234/5235A9

■ Package Dimensions



Note: The specifications are subject to change without notice. Please contact us for updated information.