



Spec. No.	PS-ND-08090103
Rev.	A

# PRODUCT SPECIFICATION

**Model No : CST-5234G/5235G**

Descriptions:
<ul style="list-style-type: none"> <li>• 0.52 Inch Triad Digit Display</li> <li>• CST-5234: Common Anode</li> <li>• CST-5235: Common Cathode</li> <li>• Emitting Color: Yellow Green</li> </ul>



CUSTOMER APPROVED SIGNATURES	APPROVED BY	CHECKED BY	PREPARED BY

**CHINA SEMICONDUCTOR CORPORATION**

Address:2FL. NO.909, Chung-Cheng Road,  
Chung-Ho City Taipei Hsien, Taiwan.

Tel:886-2-2223-9696  
Fax:886-2-2223-9377

**OPTO PLUS TECHNOLOGIES CO.,LTD**

Address:696 Shun jiang Rd.,Ji Shan St.Shaoxing,  
ZheJiang,China

Tel:86-0575-88623888  
Fax:86-0575-88623112

**Model No : CST-5234/5235G**

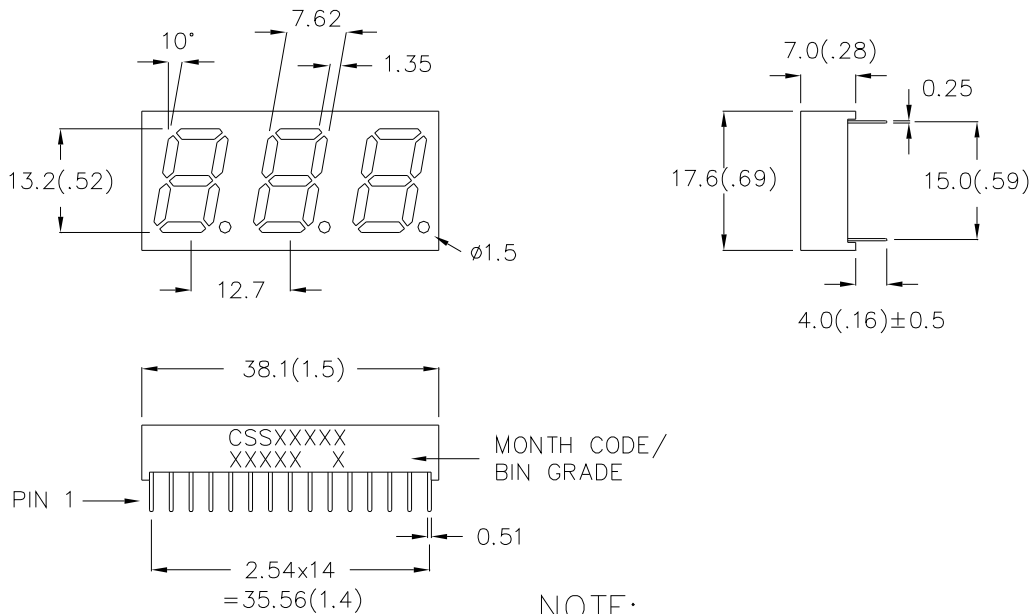
■ **Features -**

- 1. 0.52 inch (13.2mm) digit height.
- 2. Case mold type.
- 3. RoHS compliant.
- 4. Low power consumption.
- 5. Easy mounting on P.C. board or socket.

■ **Device Selection Guide -**

Part No.	Chip		Description
	Material	Emitted Color	
<b>CST-5234G</b>	<b>GaP</b>	<b>Yellow Green</b>	<b>Common Anode</b>
<b>CST-5235G</b>	<b>GaP</b>	<b>Yellow Green</b>	<b>Common Cathode</b>

■ **Package Dimensions -**



NOTE:

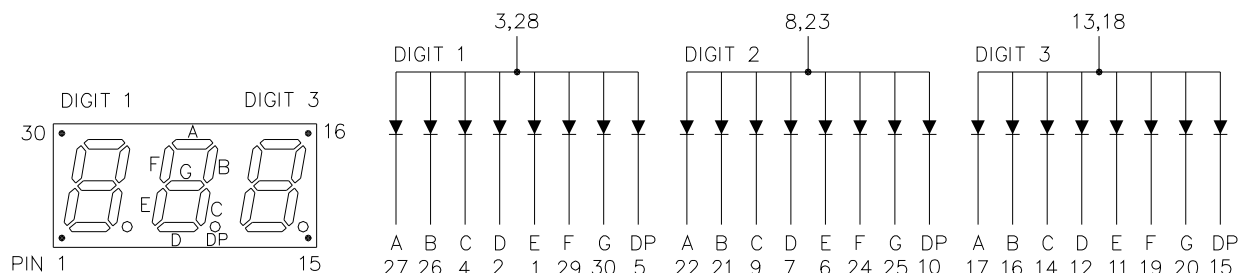
- 2. Dimension in millimeter (inch), and tolerance is ±0.25 (.01) unless otherwise noted.



<b>Spec. No.</b>	PS-ND-08090103
<b>Rev.</b>	A

**Model No : CST-5234/5235G**

**Internal Circuit Diagrams -**



CST-5234 Common Anode. (CST-5235 is Common Cathode.)

**Absolute Maximum Rating -**

( $T_a=25^\circ\text{C}$ )

Parameter	Symbol	Rating	Unit
Power Dissipation Per Dice	<b>PAD</b>	70	mW
Continuous Forward Current Per Dice	<b>IAF</b>	25	mA
Peak Current Per Dice(duty cycle 1/10, 1kHz)	<b>IPF</b>	90	mA
Derating Linear From 25°C Per Dice	-	0.33	mA/°C
Reverse Voltage Per Dice	<b>VR</b>	5	V
Operating Temp.	<b>Topr</b>	-35 ~ +85	°C
Storage Temp.	<b>Tstg</b>	-35 ~ +85	°C
Solder temperature 1/16 inch below seating plane for 3 seconds at 260°C			



<b>Spec. No.</b>	PS-ND-08090103
<b>Rev.</b>	A

**Model No : CST-5234/5235G**

■ **Electro-optical Characteristics -**

(Ta=25°C)

Parameter	Symbol	Min.	Typ.	Max.	Unit	Condition
Forward Voltage Per Segment	V <sub>F</sub>	-	2.1	2.8	V	I <sub>F</sub> =20mA
Luminous Intensity Per Segment	I <sub>v</sub>	-	4.5	-	mcd	I <sub>F</sub> =10mA
Peak Emission Wavelength	$\lambda_p$	-	568	-	nm	I <sub>F</sub> =20mA
Dominant Wavelength	$\lambda_d$	-	572	-	nm	I <sub>F</sub> =20mA
Spectrum Radiation Bandwidth	$\Delta\lambda$	-	30	-	nm	I <sub>F</sub> =20mA
Reverse Current	I <sub>R</sub>	-	-	100	$\mu A$	V <sub>R</sub> =5V
Luminous Intensity Matching Ratio	IV-m	-	-	2:1	-	I <sub>F</sub> =10mA



**Model No : CST-5234/5235G**

**Typical Electrical / Optical Charateristics Curves -**

**(Ta = 25°C Unless Otherwise Noted)**

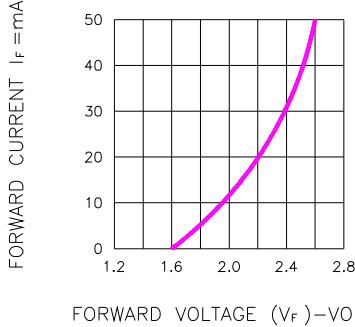


Fig.1 FORWARD CURRENT VS. FORWARD VOLTAGE

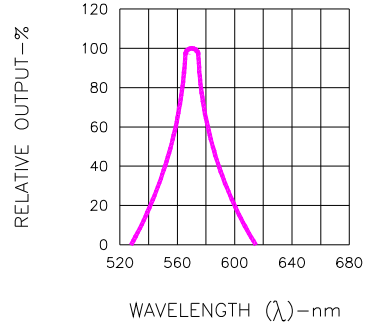


Fig.2 SPECTRAL RESPONSE

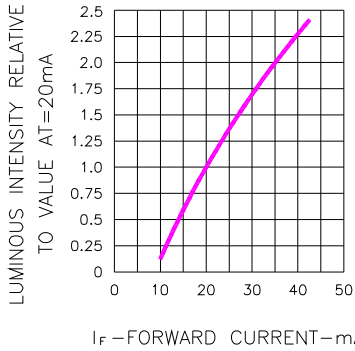


Fig.3 RELATIVE LUMINOUS INTENSITY VS. FORWARD CURRENT

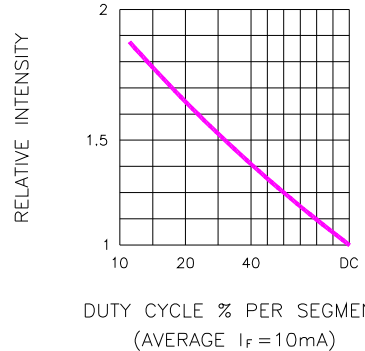


Fig.5 LUMINOUS INTENSITY VS. DUTY CYCLE

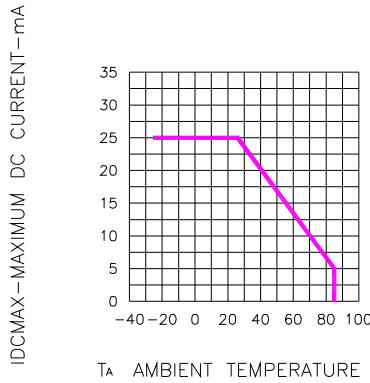


Fig.4 MAXIMUM ALLOWABLE DC CURRENT PER SEGMENT VS. A FUNCTION OF AMBIENT TEMPERATURE

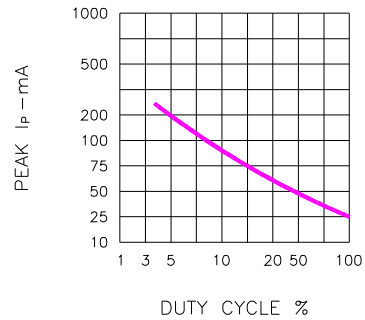


Fig.6 MAX PEAK CURRENT VS. DUTY CYCLE % (REFRESH RATE f=1 KHz)



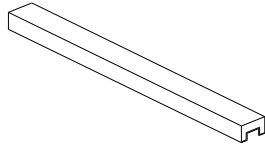
<b>Spec. No.</b>	PS-ND-08090103
<b>Rev.</b>	A

**Model No : CST-5234/5235G**

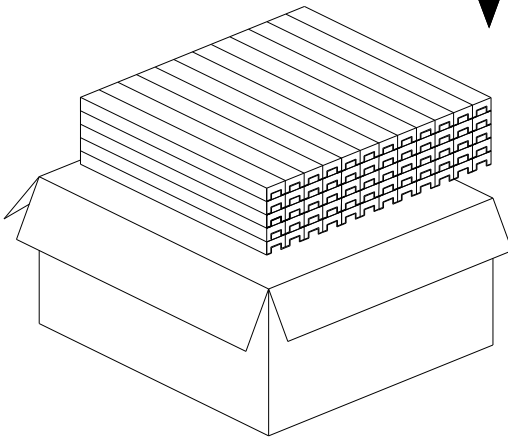
**■ Package Dimensions**

CST-523XX

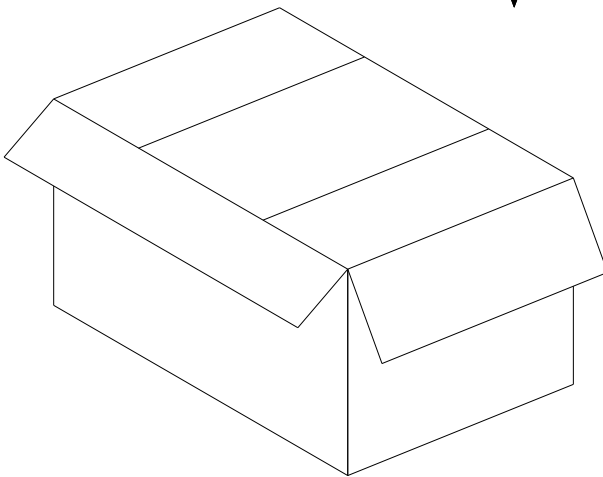
Triad Digit Display  
Dice Code



13 Pcs Per Tube



60 Tubes Per Inner Box  
Total Q'TY: 780 Pcs



3 Inner Boxes Per Carton.

Total Q'TY: 2340 Pcs

Carton Size:

L540\*W485\*H305.5 mm

Note: The specifications are subject to change without notice. Please contact us for updated information.