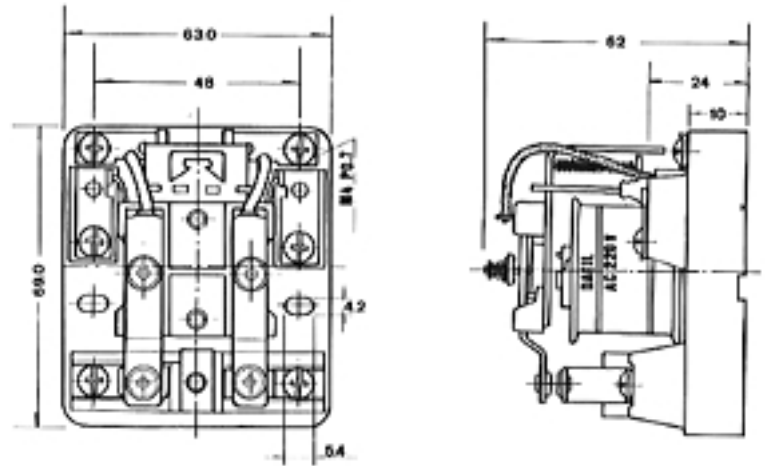




DPR-402



Shape / Dimension drawing

### Coil rating

Rating volatage(v)		Rating current (mA)	Coil resistance ( $\Omega$ )	Operation voltage(V)	Return voltage(V)	Max. allowable voltage(V)
AC	24	410	17	below 80%	above 30%	110%
	110	96	320			
	220	48	1,200			
DC	12	210	51		above 10%	
	24	105	200			
	48	50	1,150			
	110	26.5	3,900			

### Contact rating

Item / Load	Resistive load ( $\cos \phi = 1$ )	Inductive load ( $\cos \phi = 0.4$ L/R = 7ms)
Rated load	AC 110V, 30A DC 24V, 15A	AC 110V, 20A DC 24V, 7.5A
Carry current	30A	
Max. switching capacity	AC 500VA, DC 250V	
Max. switching current	30A	

## Performance summary

Item	Performance
Contact resistance	below 50mΩ (initial value)
Insulation resistance	above 100MΩ(DC 500V Meg)
Withstand voltage	between contacts : AC 1000V / 1min between charging part : AC 1500V / 1min and non - charging part : AC 1500V / 1min
Lift time	mechanical : above 3,000,000 times electrical : above 500,000 times
Power consumption	for AC : about 9.6VA
	for DC : about 2.5W
Operating time	below 50ms
Return time	below 50ms
Withstand vibration	10~55Hz double amplitude 1.5mm
Withstand impact	80G
Max. switching frequency	mechanical : 20times / min electrical : 20times / min
Ambient temperature	-5°C +40°C
Weight	about 270g