

FAN21SV04 — TinyBuck™ 4A, 24V Single-Input Integrated Synchronous Buck Regulator

Features

- Single-Supply Operation with 4A Output Current
- Wide Input Range with Dual Supply: 3.0V to 24V
- Wide Output Voltage Range: 0.8V to 80% V_{IN}
- Over 94% Peak Efficiency
- 1% Reference Accuracy Over Temperature
- Fully Synchronous Operation with Integrated Schottky Diode on Low-Side MOSFET Boosts Efficiency
- Single Supply Device for $V_{IN} > 6.5V - 24V$
- Programmable Frequency Operation (200-600KHz)
- Synchronizable to External Clock with Master/Slave Provisions
- Power-Good Signal
- Accepts Ceramic Capacitors on Output
- External Compensation for Flexible Design
- Starts on Pre-Bias Outputs
- Integrated Bootstrap Diode
- Programmable Over-Current Protection
- Under-Voltage, Over-Voltage, and Thermal-Shutdown Protections
- 5x6mm, 25-Pin, 3-Pad MLP Package

Applications

- Servers & Telecom
- Graphics Cards & Displays
- Computing Systems
- Set-Top Boxes & Game Consoles
- Point-of-Load Regulation

Description

The FAN21SV04 TinyBuck™ is a highly efficient, small-footprint, programmable-frequency, 4A, integrated synchronous buck regulator.

FAN21SV04 contains both synchronous MOSFETs and a controller/driver with optimized interconnects in one package, which enables designers to solve high-current requirements in a small area with minimal external components, thereby reducing cost. On-board internal 5V regulator enables single-supply operation for input voltages $>6.5V$.

The FAN21SV04 can be configured to drive multiple slave devices OR synchronize to an external system clock. In slave mode, FAN21SV04 may be set up to be free-running in the absence of a master clock signal.

External compensation, programmable switching frequency, and current-limit features allow for design optimization and flexibility. High-frequency operation allows for all-ceramic solutions.


Fairchild's advanced BiCMOS power process, combined with low- $R_{DS(ON)}$ internal MOSFETs and a thermally efficient MLP package, provide the ability to dissipate high power in a small package. Integration helps minimize critical inductances, making layout simpler and more efficient compared to discrete solutions.

Output over-voltage, under-voltage, over-current, and thermal-shutdown protections help protect the device from damage during fault conditions. FAN21SV04 prevents pre-biased output discharge during startup in point-of-load applications.

Related Application Notes

[AN-8022 — TinyCalc™ Calculator](#)

Ordering Information

Part Number	Operating Temperature Range	 Eco Status	Package	Packing Method
FAN21SV04MPX	-10°C to 85°C	Green	Molded Leadless Package (MLP) 5x6mm	Tape and Reel
FAN21SV04EMPX	-40°C to 85°C	Green	Molded Leadless Package (MLP) 5x6mm	Tape and Reel

 For Fairchild's definition of Eco Status, please visit: http://www.fairchildsemi.com/company/green/rohs_green.html.

Typical Application Diagram

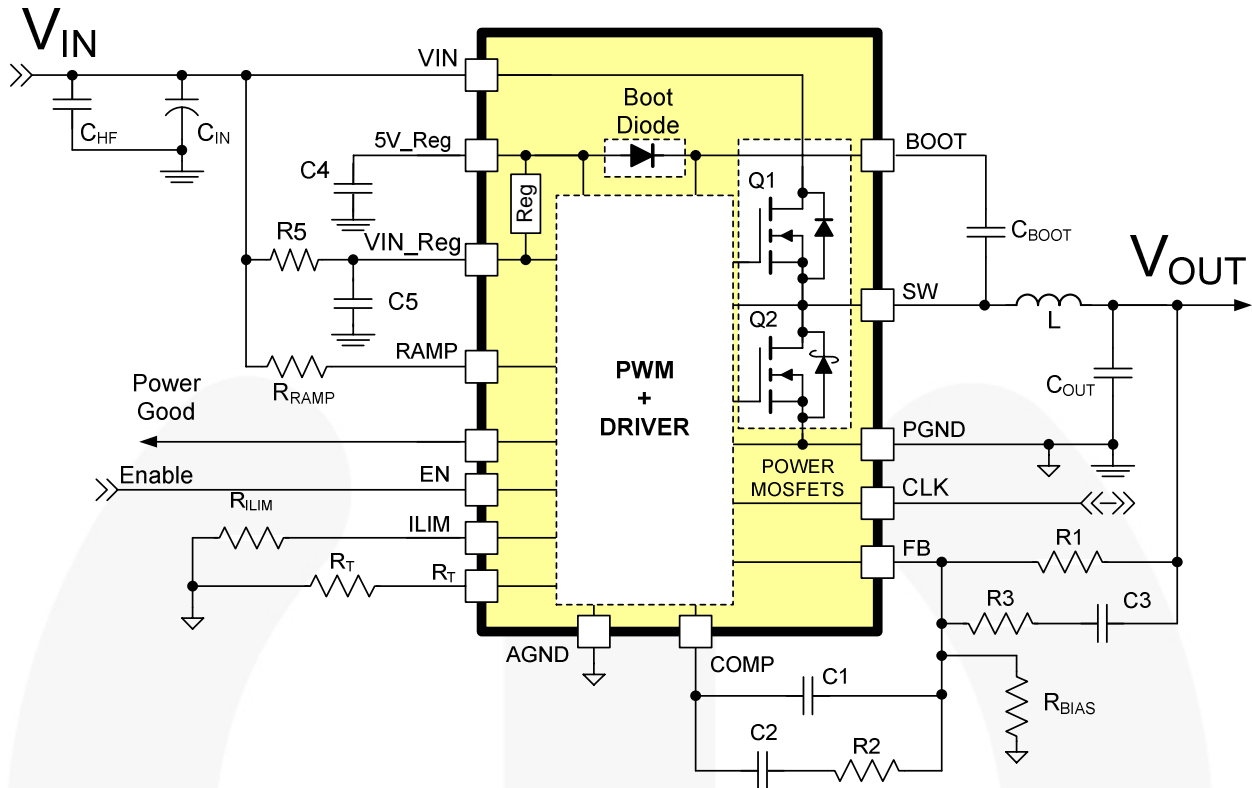


Figure 1. Typical Application as Master at $V_{IN}=6.5V$ to $24V$

Block Diagram

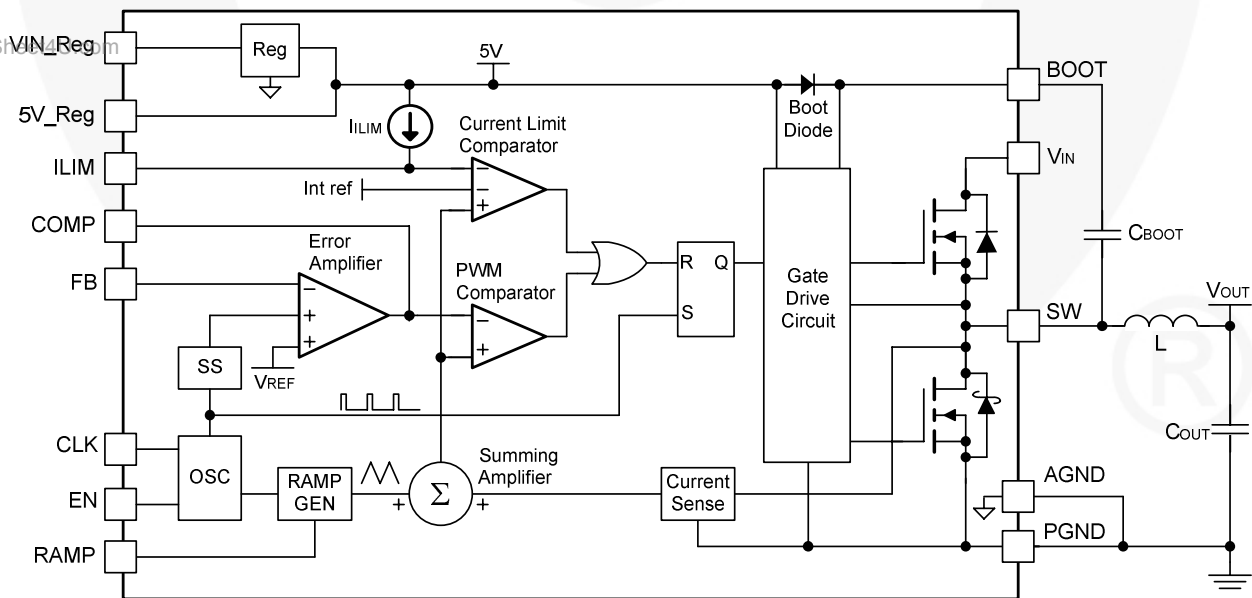


Figure 2. Block Diagram

Pin Configuration

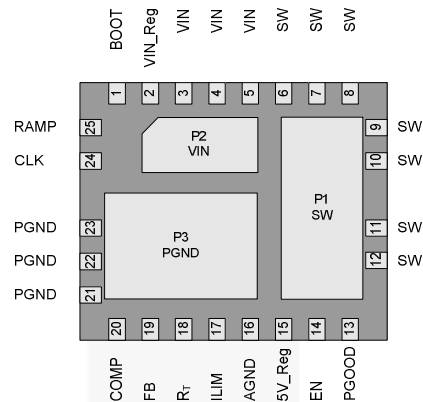


Figure 3. MLP 5x6mm Pin Configuration (Bottom View)

Pad / Pin Definitions

Pad / Pin	Name	Description
P1, 6-12	SW	Switching Node. Junction of high-side and low-side MOSFETs.
P2, 3-5	VIN	Power Conversion Input Voltage. Connect to the main input power source.
P3, 21-23	PGND	Power Ground. Power return and Q2 source.
1	BOOT	High-Side Drive BOOT Voltage. Connect through capacitor (C_{BOOT}) to SW. The IC has an internal synchronous bootstrap diode to recharge the capacitor on this pin to 5V_Reg when SW is LOW.
2	VIN_Reg	Regulator Input Voltage. Input voltage to the internal regulator. Connect to input voltage >6.5V with 10 Ω resistor and a 1 μ F bypass capacitor at the pin (see Figure 10).
13	PGOOD	Power-Good. An open-drain output that pulls LOW when the voltage on the FB pin is outside the specified limits. PGOOD does not assert HIGH until the fault latch is enabled (see Figure 31).
14	EN	ENABLE. Enables operation when pulled to logic HIGH or left open. Toggling EN resets the regulator after a latched-fault condition. This input has an internal pull-up. When a latched fault occurs, EN is discharged by a current sink.
15	5V_Reg	5V Regulator Output. Internal regulator output that provides power for the IC's logic and analog circuitry. This pin should be connected to AGND through a >2.2 μ F X5R/X7R capacitor.
16	AGND	Analog Ground. The signal ground for the IC. All internal control voltages are referred to this pin. Tie this pin to the ground island/plane through the lowest impedance connection.
17	ILIM	Current Limit. A resistor (R_{ILIM}) from this pin to AGND can be used to program the current-limit trip threshold lower than the internal default setting.
18	R _T	Switching Frequency and Master/Slave Set. Connecting a resistor (R_T) to AGND sets the switching frequency and configures the CLK pin as an output (master). Tying this pin to 5V_Reg through a resistor configures the CLK signal as an input (slave) and establishes the free-running switching frequency.
19	FB	Output Voltage Feedback. Connect through a resistor divider to the output voltage.
20	COMP	Compensation. Error amplifier output. Connect the external compensation network between this pin and FB.
24	CLK	Clock. Bi-directional signal pin, depending on master/slave configuration. When configured as a master, this pin represents the clock output that connects directly to the slave(s) for synchronizing with 180° phase shift.
25	RAMP	Ramp Amplitude. A resistor (R_{RAMP}) connected from this pin to VIN sets the internal ramp amplitude and also provides voltage feedforward functionality.

Absolute Maximum Ratings

Stresses exceeding the absolute maximum ratings may damage the device. The device may not function or be operable above the recommended operating conditions and stressing the parts to these levels is not recommended. In addition, extended exposure to stresses above the recommended operating conditions may affect device reliability. The absolute maximum ratings are stress ratings only.

Parameter	Conditions	Min.	Max.	Units
VIN, VIN_Reg to AGND	AGND=PGND		28	V
5V_Reg to AGND	AGND=PGND		6	V
BOOT to PGND			35	V
BOOT to SW		-0.5	6.0	V
SW to PGND	Continuous	-0.5	24.0	V
	Transient (t < 20ns, f ≤ 600KHz)	-5	30	
All other pins		-0.3	6.0	V
ESD	Electrostatic Discharge Protection Level	Human Body Model, JESD22-A114	1.5	kV
		Charged Device Model, JESD22-C101	2.5	

Recommended Operating Conditions

The Recommended Operating Conditions table defines the conditions for actual device operation. Recommended operating conditions are specified to ensure optimal performance to the datasheet specifications. Fairchild does not recommend exceeding them or designing to Absolute Maximum Ratings.

Symbol	Parameter	Conditions	Min.	Typ.	Max	Units
f _{sw}	Switching Frequency		200	500	600	KHz
V _{IN} , VIN_Reg	Supply Voltage for Power and Bias	VIN to PGND	3.0		24.0	V
		VIN_Reg to AGND	6.5		24.0	
T _A	Ambient Temperature	FAN21SV04MPX	-10		+85	°C
		FAN21SV04EMPX	-40		+85	
T _J	Junction Temperature				+125	°C

Thermal Information

Symbol	Parameter	Min.	Typ.	Max.	Units
T _{STG}	Storage Temperature	-65		+150	°C
T _L	Lead Soldering Temperature, 30 Seconds			+300	°C
θ _{JC}	Thermal Resistance: Junction-to-Case	P1 (Q2)		4	°C/W
		P2 (Q1)		7	
		P3		4	
θ _{J-PCB}	Thermal Resistance: Junction-to-Mounting Surface ⁽¹⁾		35		°C/W
P _D	Total Power Dissipation in the package, T _A =25°C ⁽¹⁾			2.8	W

Note:

1. Typical thermal resistance when mounted on a four-layer, two-ounce PCB, as shown in Figure 38. Actual results are dependent upon mounting method and surface related to the design.

Electrical Characteristics

Recommended operating conditions and using the circuit shown in Figure 1, with V_{IN} , $V_{IN_Reg}=12V$, unless otherwise noted.

Parameter	Conditions	Min.	Typ.	Max.	Units
Power Supplies					
Operating Current (VIN+VIN_Reg)	$V_{IN}=12V$, 5V_Reg Open, CLK Open, $f_{SW}=500KHz$, No Load		22	30	mA
VIN_Reg Operating Current	EN=High, 5V_Reg Open, CLK Open, $f_{SW}=500KHz$		11		mA
VIN_Reg Quiescent Current	EN=High, FB=0.9V		4	5	mA
VIN_Reg Standby Current	EN=0, $V_{IN}=12V$			1	mA
5V_Reg Output Voltage	Internal V_{CC} Regulator, No Load, $6.5V < V_{IN_Reg} < 24V$	4.7	5.0	5.3	V
5V_Reg Max. Current Load	$V_{IN_Reg}=12V$			5	mA
VIN_Reg UVLO Threshold	Rising V_{IN} , $V_{IN}=V_{IN_Reg}$		5.6	6.3	V
	Falling V_{IN} , $V_{IN}=V_{IN_Reg}$			5	V
Reference					
Reference Voltage measured at FB (See Figure 4 for Temperature Coefficient)	FAN21SV04MPX, $T_A=25^\circ C$	794	800	806	mV
	FAN21SV04EMPX, $T_A=25^\circ C$	795	800	805	
Oscillator					
Frequency	$R_T=50k\Omega$ to GND (Master Mode)	255	300	345	KHz
	$R_T=24k\Omega$ to GND (Master Mode)	540	600	660	
Frequency in Slave Mode Compared to Master Mode	$R_T=24k\Omega$ to $50k\Omega$ to 5V_Reg (Slave Mode)	-15		+15	%
Minimum On Time ⁽²⁾			40	65	ns
Duty Cycle	$V_{IN}=6.5V$, $f_{SW}=600KHz$		80	85	%
Ramp Amplitude, Peak-to-Peak ⁽²⁾	$V_{IN}=16V$, $1.8V_{OUT}$, $R_T=30k\Omega$, $R_{RAMP}=200k\Omega$		0.5		V
Minimum Off Time ⁽²⁾			100	150	ns
Synchronization					
CLK Output Pulse Width	Master (R_T to GND)	70	85	100	ns
CLK Output Sink Current	Master, $V_{CLK}=0.4V$	0.25		0.35	mA
CLK Output Source Current	Master, $V_{CLK}=2V$	-2.5		-2.0	mA
CLK Input Pulse Width	Slave: $V_{CLK} \geq 2V$	50			ns
CLK Input Source Current	Slave: $V_{CLK}=1V$	-230	-200	-170	μA
CLK Input Threshold, Rising	Slave	1.73	1.83	1.93	V
Soft-Start					
V_{OUT} to Regulation ($T_{0.8}$)	Frequency=500KHz		2.5		ms
Fault Enable/SSOK ($T_{1.0}$)			3.1		ms
Error Amplifier					
DC Gain ⁽²⁾	$V_{IN_Reg} > 6.5V$	80	85		dB
Gain Bandwidth Product ⁽²⁾		12	15		MHz
Output Voltage Swing (V_{COMP})		0.4		4.0	V
Output Current, Sourcing	$5V_Reg=5V$, $V_{COMP}=2.2V$	1.5	2.2	2.5	mA
Output Current, Sinking	$5V_Reg=5V$, $V_{COMP}=1.2V$	0.8	1.2	1.5	mA
FB Bias Current	$V_{FB}=0.8V$, $T_A=25^\circ C$	-850	-650	-450	nA

Note:

2. Specifications guaranteed by design and characterization; not production tested.

Electrical Characteristics (Continued)

Recommended operating conditions and using the circuit shown in Figure 1 with V_{IN} , $V_{IN_Reg}=12V$, unless otherwise noted.

Parameter	Conditions	Min.	Typ.	Max.	Units
Control Functions					
EN Threshold, Rising			1.35	2.00	V
EN Hysteresis			250		mV
EN Pull-Up Resistance	$V_{IN_Reg} > 6.5V$		800		$K\Omega$
EN Discharge Current	Auto-Restart Mode, $V_{IN_Reg} > 6.5V$		1		μA
FB OK Drive Resistance			800	1000	$K\Omega$
PGOOD Low Threshold	$FB < V_{REF}$, 2 Consecutive Clock Cycles ⁽³⁾	-14.0	-11.0	-8.0	% V_{REF}
	$FB > V_{REF}$, 2 Consecutive Clock Cycles ⁽³⁾	+7.0	+10.0	+13.5	
PGOOD Low Voltage	$I_{OUT} \leq 2mA$			0.4	V
PGOOD Leakage Current	$V_{PGOOD}=5V$		0.2	1.0	μA
Protection and Shutdown					
Current Limit	R_{ILIM} open, $f_{sw}=500KHz$, $V_{OUT}=1.8V$, $R_{RAMP}=200k\Omega$, 16 Consecutive Clock Cycles ⁽³⁾	5.5	6.5	7.5	A
I_{LIM} Current	$V_{IN_Reg} > 6.5V$, $T_A=25^\circ C$	-11	-10	-9	μA
Over-Temperature Shutdown	Internal Temperature		+155		$^\circ C$
Over-Temperature Hysteresis			+30		$^\circ C$
Over-Voltage Threshold	2 Consecutive Clock Cycles ⁽³⁾	110	115	120	% V_{OUT}
Under-Voltage Shutdown	16 Consecutive Clock Cycles ⁽³⁾	68	73	78	% V_{OUT}
Fault-Discharge Threshold	Measured at FB pin		250		mV
Fault-Discharge Hysteresis	Measured at FB pin ($V_{FB} \sim 500mV$)		250		mV

Note:

3. Delay times are not tested in production. Guaranteed by design.

Typical Characteristics

$V_{IN}=12V$, $V_{CC}=5V$, $T_A=25^{\circ}C$, unless otherwise specified.

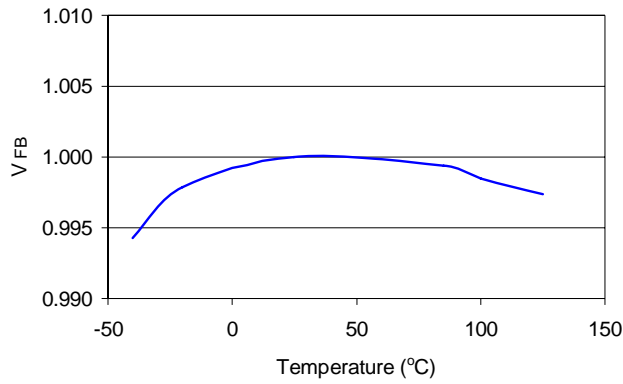


Figure 4. Reference Voltage (V_{FB}) vs. Temperature, Normalized

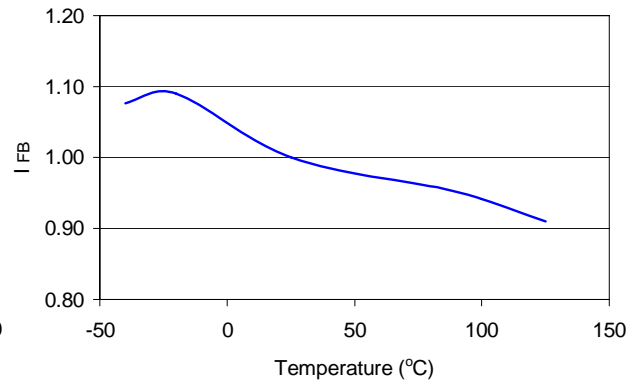


Figure 5. Reference Bias Current (I_{FB}) vs. Temperature, Normalized

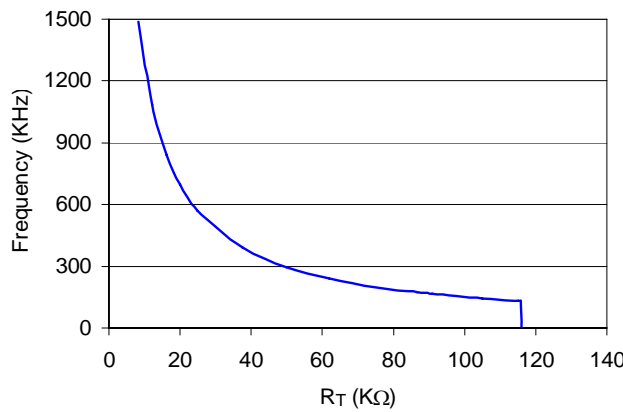


Figure 6. Frequency vs. R_T (Master)

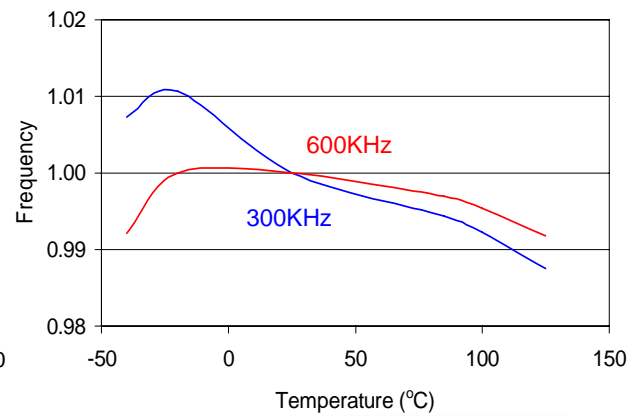


Figure 7. Frequency vs. Temperature, Normalized

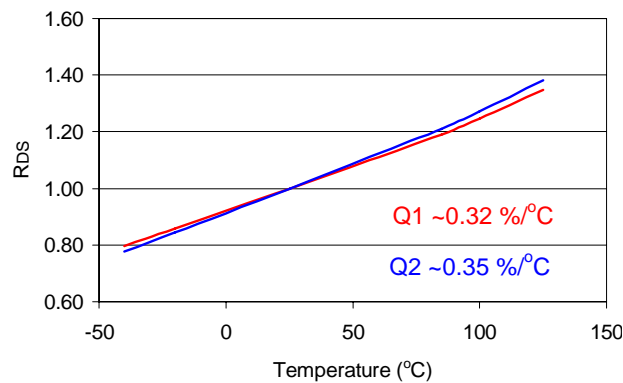


Figure 8. R_{DS} vs. Temperature, Normalized ($5V_{Reg}=V_{GS}=5V$)

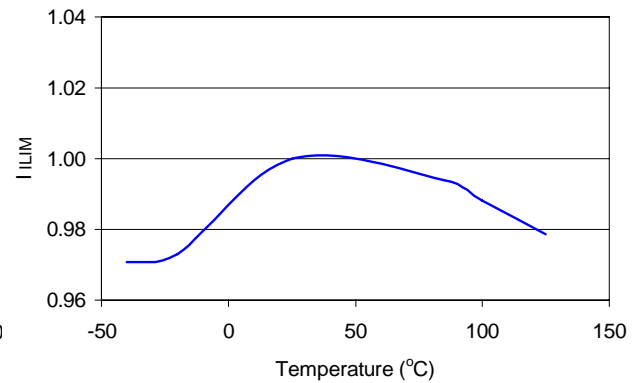


Figure 9. I_{ILIM} Current (I_{ILIM}) vs. Temperature, Normalized

Application Circuit

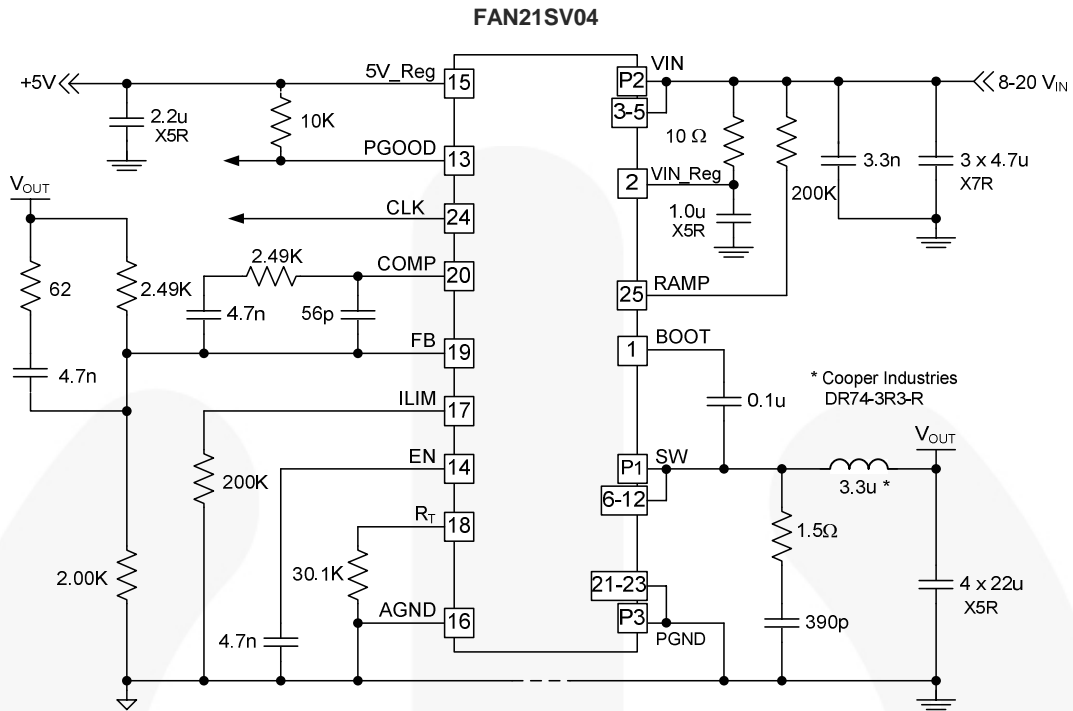


Figure 10. Single-Supply Application Circuit: 1.8V_{OUT}, 500KHz, Master, 8V – 20V Input

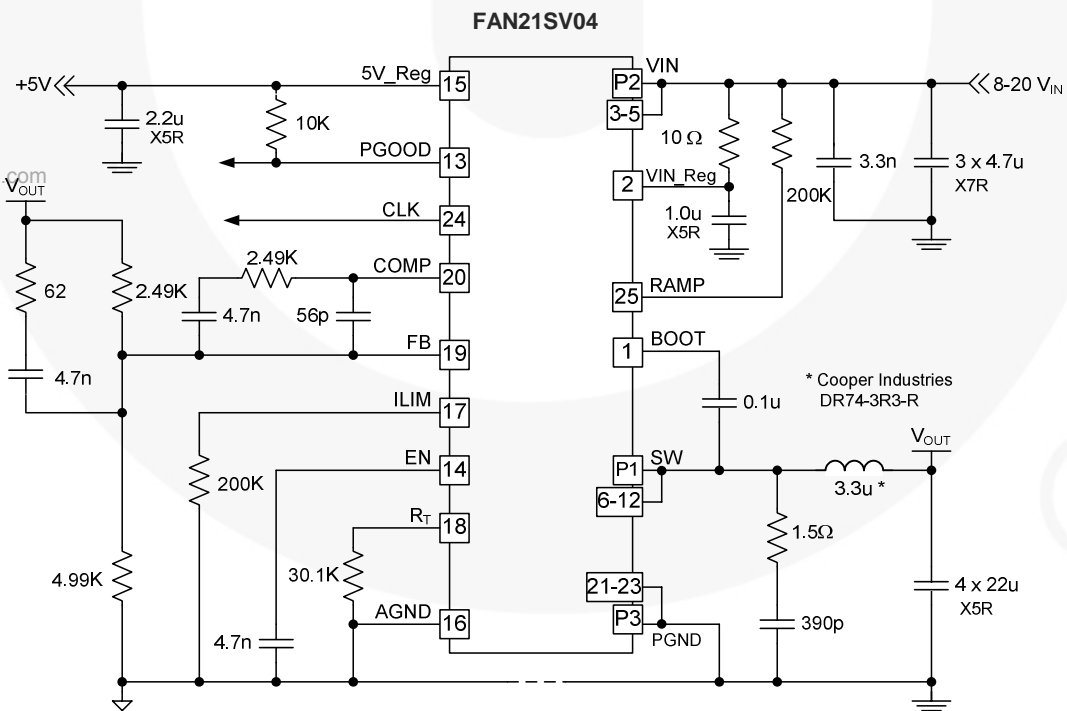


Figure 11. Single-Supply Application Circuit: 1.2 V_{OUT}, 500KHz, Master 8V – 20V Input

Typical Performance Characteristics

Typical operating characteristics using the Figure 10 circuit; $V_{IN}=12V$, $V_{CC}=5V$, $T_A=25^{\circ}C$, unless otherwise specified.

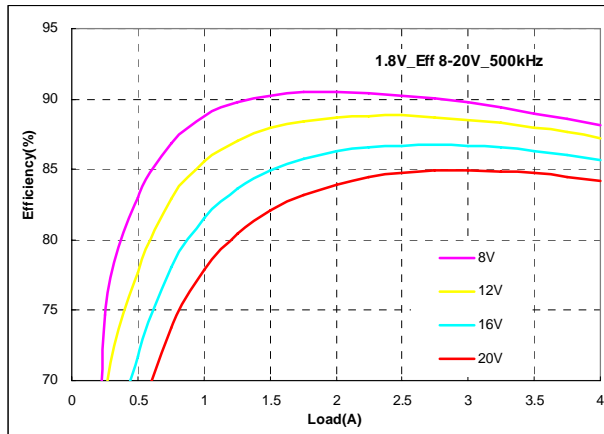


Figure 12. 1.8 V_{OUT} Efficiency Over V_{IN} vs. Load

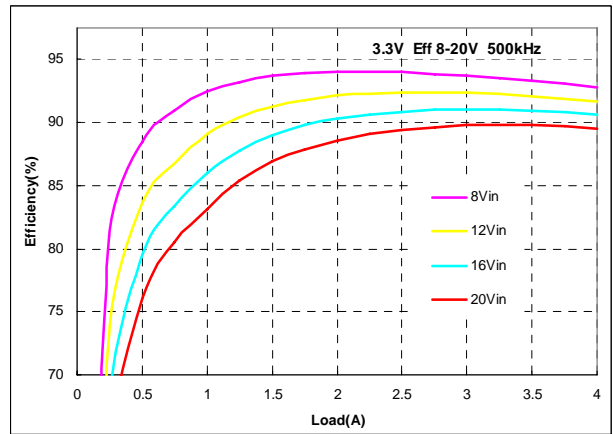


Figure 13. 3.3 V_{OUT} Efficiency, 500kHz⁽⁴⁾

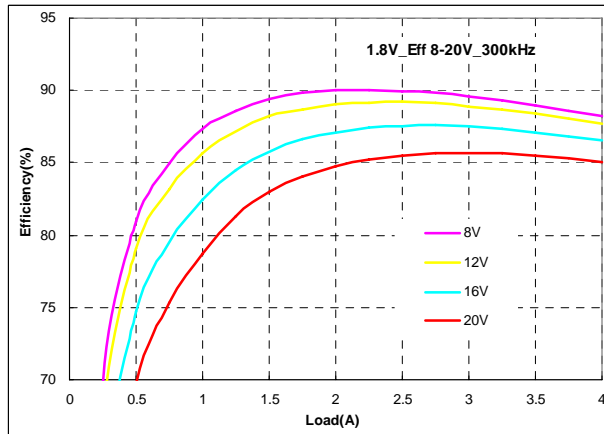


Figure 14. 1.8 V_{OUT} Efficiency, 300kHz⁽⁴⁾

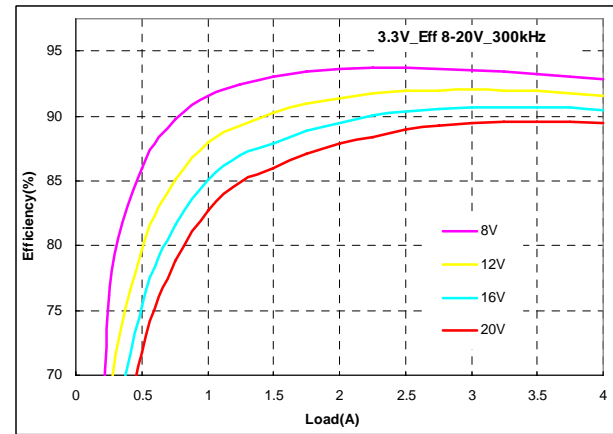


Figure 15. 3.3 V_{OUT} Efficiency, 300kHz⁽⁴⁾

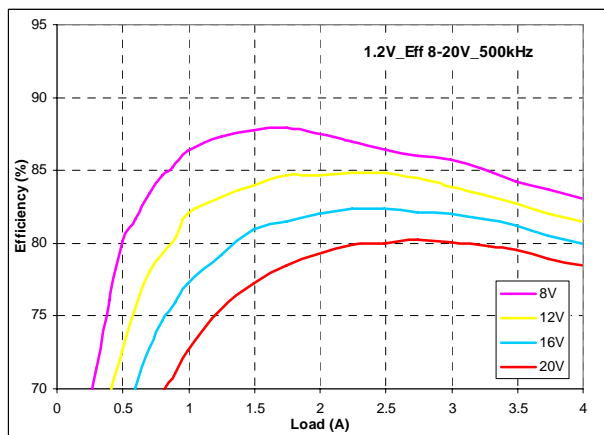


Figure 16. 1.2 V_{OUT} Efficiency, 500kHz (Figure 11)

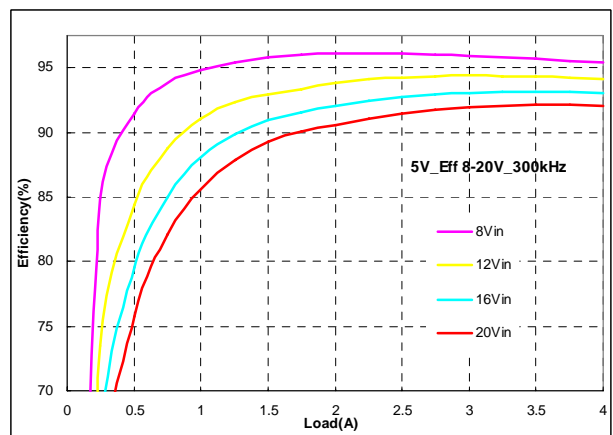


Figure 17. 5 V_{OUT} Efficiency, 300kHz⁽⁴⁾

Note:

4. Circuit values for this configuration change in Figure 10.

Typical Performance Characteristics (Continued)

Typical operating characteristics using the Figure 10 circuit; $V_{IN}=12V$, $V_{CC}=5V$, $T_A=25^{\circ}C$, unless otherwise specified.

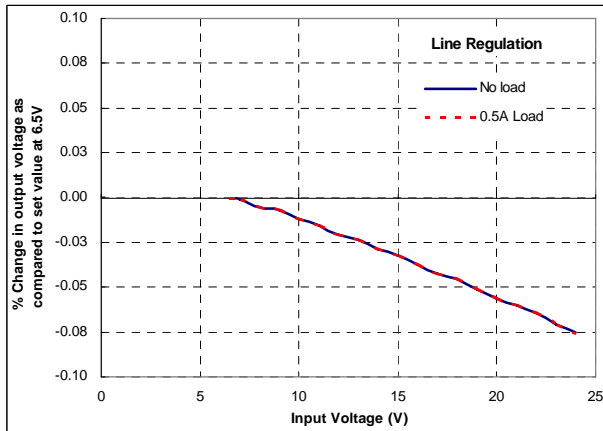


Figure 18. 1.8 V_{OUT} Line Regulation

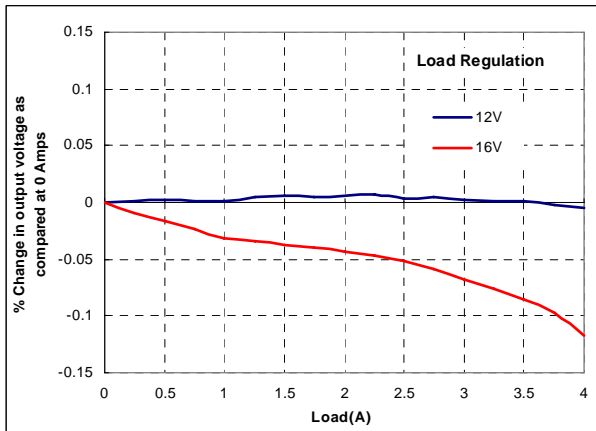


Figure 19. 1.8 V_{OUT} Load Regulation

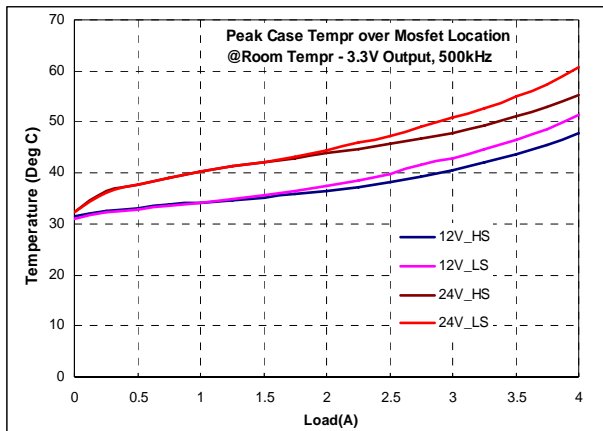


Figure 20. Peak MOSFET Temperatures 3.3V Output, 12V and 24V Input (500KHz)⁽⁵⁾

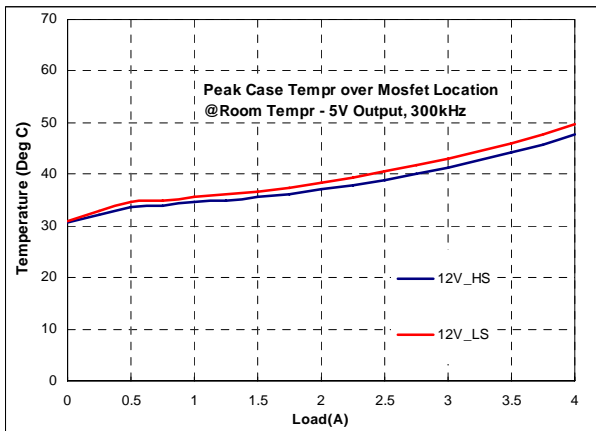


Figure 21. Peak Case Temperature Over MOSFET Locations 5V Output (300KHz)

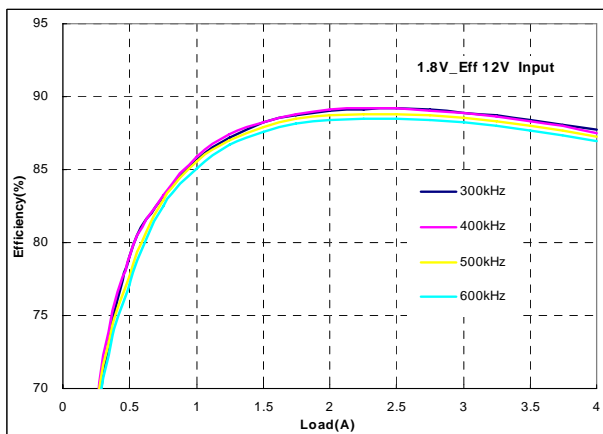


Figure 22. 1.8 V_{OUT} Efficiency Over f_{sw}

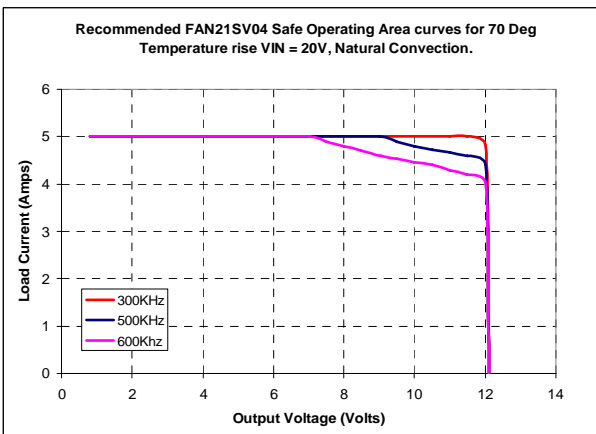


Figure 23. Typical Output Operating Area Based on Thermal Limitations

Note:

5. Circuit values for this configuration change in Figure 10.

Typical Performance Characteristics (Continued)

Typical operating characteristics using the Figure 10 circuit. $V_{IN}=12V$ unless otherwise specified.

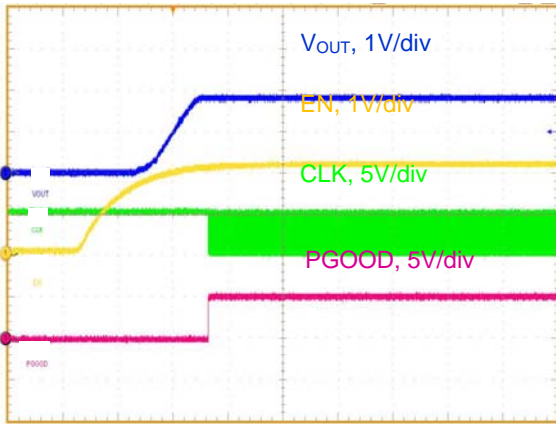


Figure 24. CLK and V_{OUT} at Startup

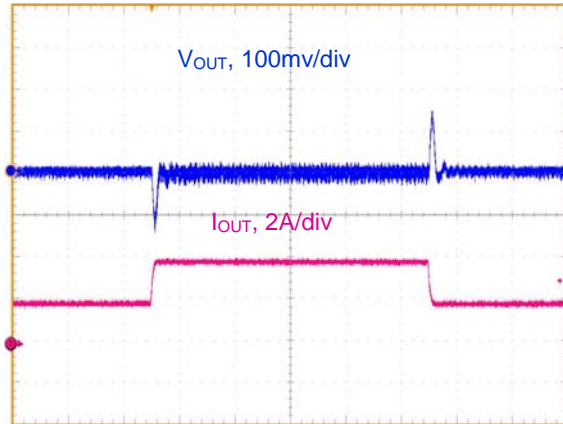


Figure 25. Transient Response, 2-4A Load

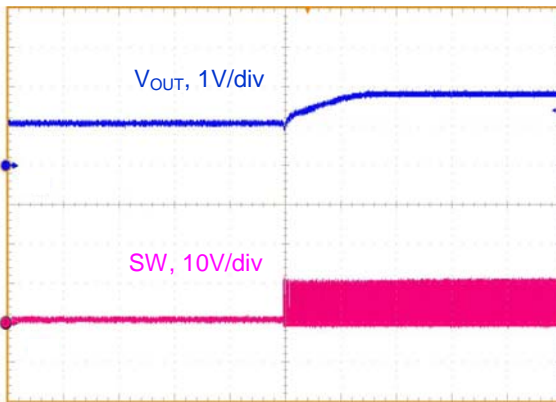


Figure 26. Startup on Pre-Bias

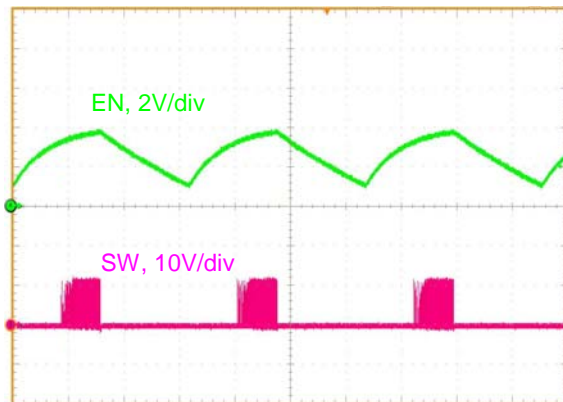


Figure 27. Restart on Fault

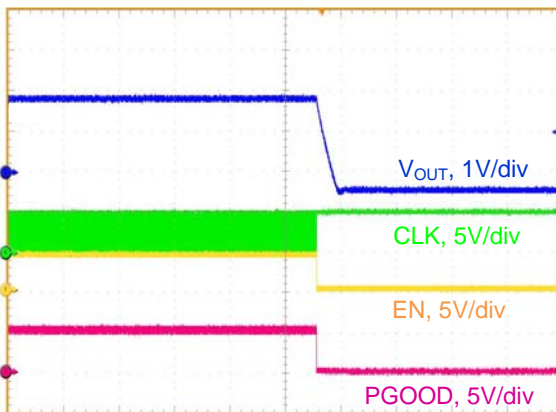


Figure 28. Shutdown, 1A Load

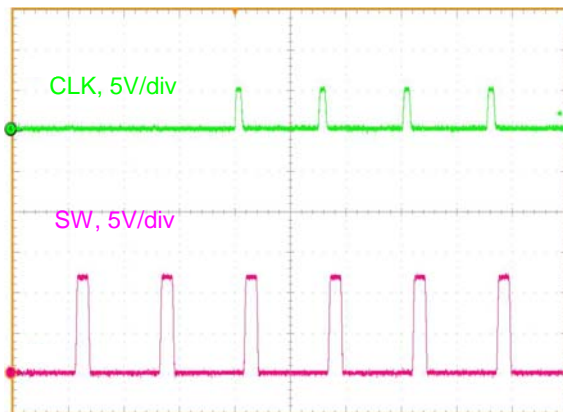


Figure 29. Slave (500KHz Free-Run to 600KHz Synchronization)

www.DataSheet4U.com

Circuit Operation

PWM Generation

Refer to Figure 2 for the PWM control mechanism. FAN21SV04 uses the summing-mode method of control to generate the PWM pulses. An amplified current-sense signal is summed with an internally generated ramp and the combined signal is compared with the output of the error amplifier to generate the pulse width to drive the high-side MOSFET. Sensed current from the previous cycle is used to modulate the output of the summing block. The output of the summing block is also compared against a voltage threshold set by the R_{LIM} resistor to limit the inductor current on a cycle-by-cycle basis. R_{RAMP} resistor helps set the charging current for the internal ramp and provides input voltage feed-forward function. The controller facilitates external compensation for enhanced flexibility.

Initialization

Once V_{IN_Reg} voltage exceeds the UVLO threshold and EN is HIGH, the IC checks for a shorted FB pin before releasing the internal soft-start ramp (SS).

If the parallel combination of $R1$ and R_{BIAS} is $\leq 1k\Omega$, the internal SS ramp is not released and the regulator does not start.

Enable

FAN21SV04 has an internal pull-up to the enable (EN) pin so that the IC is enabled once V_{IN_Reg} exceeds the UVLO threshold. Connecting a small capacitor across EN and AGND delays the rate of voltage rise on the EN pin. The EN pin also serves for the restart whenever a fault occurs (refer to the *Auto-Restart* section). If the regulator is enabled externally, the external EN signal should go HIGH only after $5V_Reg$ is established. For applications where such sequencing is required, FAN21SV04 can be enabled (after the V_{CC} comes up) with external control, as shown in Figure 30.

If auto-restart is not desired, tie the EN pin HIGH with a logic gate to keep the $1\mu A$ current sink from discharging EN to 1.1V. Figure 32 shows one method to pull up EN to V_{CC} for a latch configuration.

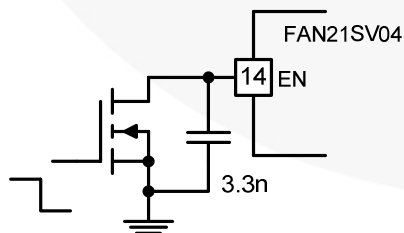


Figure 30. Enabling with External Control

Internal Regulator

FAN21SV04 facilitates single-supply operation for input voltages $>6.5V$. At startup, the output of the internal regulator tracks the input voltage and comes into regulation (5V) when V_{IN_Reg} exceeds the UVLO threshold. The EN pin is released at the same time. The output voltage of the internal regulator ($5V_Reg$) is set to 5V. The internal regulator supplies power to all the control circuits including the drivers.

For applications with $V_{IN} < 6.5V$, FAN21SV04 can be used if V_{IN_Reg} is provided with a separate low-power source $>6.5V$. V_{IN_Reg} supply should come up after V_{IN} during dual-supply operation. The V_{IN_Reg} pin should always be decoupled with at least a 10Ω resistor and a $1\mu F$ ceramic capacitor (see Figure 10, Figure 11).

Since $5V_Reg$ is used to drive the internal MOSFET gates, high peak currents are present on the $5V_Reg$ pin. Connect a $\geq 2.2\mu F$ X5R or X7R decoupling capacitor between the $5V_Reg$ pin and AGND. For $V_{IN} > 20V$ operation, use a 3.3Ω resistor in series with the boot capacitor to reduce noise into the regulator.

In addition to supplying power for the control circuits internally, $5V_Reg$ output can be used as a reference voltage for other applications requiring low noise reference voltage. $5V_Reg$ is capable of sourcing up to 5mA of output current.

When EN is pulled LOW externally, $5V_Reg$ output is still present, but the IC is in standby mode with no switching.

Soft-Start

FAN21SV04 uses an internal digital soft-start circuit to slowly ramp up the output voltage and limit inrush current during startup. When $5V_Reg$ is in regulation and EN is HIGH, the circuit releases SS and enables the PWM regulator. Soft-start time is a function of the switching frequency (number of clock cycles).

Once internal SS ramp has charged to 0.8V ($T_{0.8}$), the output voltage is in regulation. Until SS ramp reaches 1.0V ($T_{1.0}$), only the over-current-protection circuit is active during soft-start and all other output protections are inhibited.

In dual-supply operation mode, it is necessary to apply V_{IN} before V_{IN_Reg} reaches its UVLO threshold to avoid skipping the soft-start cycle.

V_{IN_Reg} UVLO or toggling the EN pin discharges the SS and resets the IC.

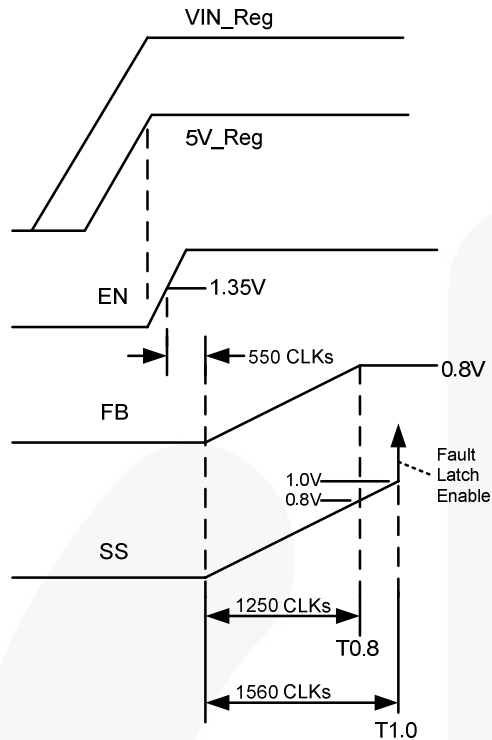


Figure 31. Typical Soft-Start Timing Diagram

Startup on Pre-Bias

The regulator does not allow the low-side MOSFET to operate in full synchronous mode until SS reaches 95% of V_{REF} (~0.76V). This enables the regulator to startup on a pre-biased output and ensures that output is not discharged during the soft-start cycle.

Protections

The converter output is monitored and protected against extreme overload, short-circuit, over-voltage, and under-voltage conditions.

Under-Voltage Protection

If FB remains below the under-voltage threshold for 16 consecutive clock cycles, the fault latch is set and the converter shuts down. This protection is not active until the internal SS ramp reaches 1.0V during soft-start.

Over-Voltage Protection

If FB exceeds $115\% \cdot V_{REF}$ for two consecutive clock cycles, the fault latch is set and shutdown occurs.

A shorted high-side MOSFET condition is detected when SW voltage exceeds ~0.7V while the low-side MOSFET is fully enhanced. The fault latch is set immediately upon detection.

The OV/UV fault conditions are not allowed to set the fault latch during soft-start. They are active only after T1.0 (see Figure 31).

Over-Temperature Protection

The chip incorporates an over-temperature protection circuit that sets the fault latch when a die temperature of about 155°C is reached. The IC is allowed to restart when the die temperature falls below 125°C.

Auto-Restart

After a fault, the EN pin is discharged with 1 μ A current pull-down to a 1.1V threshold before the internal 800k Ω pull-up is restored. A new soft-start cycle begins when EN charges above 1.35V.

Depending on the external circuit, the FAN21SV04 can be configured to remain latched off or automatically restart after a fault, as listed in Table 1.

Table 1. Fault / Restart Configurations

EN Pin	Controller / Restart State
Pull to GND	OFF (Disabled)
Connected to 5V_Reg with 100K Ω	No Restart – Latched OFF
Open	Immediate Restart After Fault
Cap to GND	New Soft-Start Cycle After EN is HIGH (Auto Restart Mode)

With EN left open, restart is immediate.

If auto-restart is not desired, tie the EN pin HIGH with a logic gate to keep the 1 μ A current sink from discharging EN to 1.1V. Figure 32 shows one method to pull up EN to V_{CC} for a latch configuration.

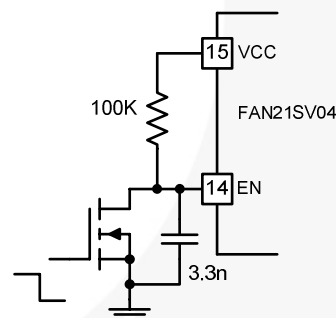


Figure 32. Enable Control with Latch Option

Power Good (PGOOD) Signal

PGOOD is an open-drain output that asserts LOW when V_{OUT} is out of regulation, as measured at the FB pin. The thresholds are specified in the Electrical Specifications section. PGOOD does not assert HIGH until soft start is complete (T1.0) (see Figure 31).

Application Information

5V_Reg Output

The 5V_Reg pin is the output of the internal regulator that supplies all power to the control circuit. It is important to keep this pin decoupled to AGND with a $\geq 2.2\mu\text{f}$ X5R or X7R decoupling capacitor. In addition, for operation with $V_{\text{IN}} > 20\text{V}$, add a 3.3Ω resistor in series with the boot capacitor to reduce the switching noise into the regulator.

Setting the Output Voltage

The output voltage of the regulator can be set from 0.8V to $\sim 80\%$ of V_{IN} by an external resistor divider (R_1 and R_{BIAS} in Figure 1). For output voltages $> 3.3\text{V}$, output current rating may need to be de-rated depending on the ambient temperature, power dissipated in the package, and the PCB layout (refer to *Thermal Information table on page 4, Figure 20, Figure 21, and Figure 23*).

The internal reference is set to 0.8V with 650nA sourced from the FB pin to ensure that the regulator does not start if the pin is left open.

The external resistor divider is calculated using:

$$\frac{0.8\text{V}}{R_{\text{BIAS}}} = \frac{V_{\text{OUT}} - 0.8\text{V}}{R_1} + 650\text{nA} \quad (1)$$

Connect R_{BIAS} between FB and AGND.

If R_1 is open (see Figure 1), the output voltage is not regulated and a latched fault occurs after the SS is complete (T1.0).

If the parallel combination of R_1 and R_{BIAS} is $\leq 1\text{K}\Omega$, the internal SS ramp is not released and the regulator does not start.

Setting the Switching Frequency

Switching frequency is determined by a resistor, R_{T} , connected between the R_{T} pin and AGND (Master Mode) or 5V_Reg (Slave Mode):

where R_{T} is expressed in $\text{k}\Omega$:

$$R_{\text{T}(\text{k}\Omega)} = \frac{(10^6 / f) - 135}{65} \quad (2)$$

where frequency (f) is expressed in KHz.

In Slave Mode, the switching frequency is about 10% slower for the same R_{T} . The regulator does not start if R_{T} is open in Master Mode.

Calculating the Inductor Value

Typically the inductor value is chosen based on ripple current (ΔI_L), which is chosen between 10 to 35% of the maximum DC load. Regulator designs that require fast

transient response use a higher ripple-current setting while regulator designs that require higher efficiency keep ripple current on the low side and operate at a lower switching frequency. The inductor value is calculated by the following formula:

$$L = \frac{V_{\text{OUT}} \cdot \left(1 - \frac{V_{\text{OUT}}}{V_{\text{IN}}}\right)}{\Delta I_L \cdot f} \quad (3)$$

where f is the switching frequency.

Setting the Ramp Resistor Value

R_{RAMP} resistor plays a critical role by providing charging current to the internal ramp capacitor and also serving as a means to provide input voltage feedforward.

R_{RAMP} is calculated by the following formula:

$$R_{\text{RAMP}(\text{k}\Omega)} = \frac{(V_{\text{IN}} - 1.8) \cdot V_{\text{OUT}}}{(30.5 - 4.5 \cdot I_{\text{OUT}}) \cdot V_{\text{IN}} \cdot f \cdot 10^{-6}} - 2 \quad (4)$$

where frequency (f) is expressed in KHz.

For wide input operation, first calculate R_{RAMP} for the minimum and maximum input voltage conditions and use larger of the two values calculated.

In all applications, current through the R_{RAMP} pin must be greater than $10\mu\text{A}$ from the equation below for proper operation:

$$\frac{V_{\text{IN}} - 1.8}{R_{\text{RAMP}} + 2} \geq 10\mu\text{A} \quad (5)$$

If the calculated R_{RAMP} values in Equation (4) result in a current less than $10\mu\text{A}$, use the R_{RAMP} value that satisfies Equation (5). In applications with large Input ripple voltage, the R_{RAMP} resistor should be adequately decoupled from the input voltage to minimize ripple on the ramp pin.

Setting the Current Limit

There are two levels of current-limit thresholds in FAN21SV04. The first level of protection is through an internal default limit set at the factory to provide cycle-by-cycle current limit and prevent output current beyond normal levels. The second level of protection is set at the ILIM pin by connecting a resistor (R_{ILIM}) between ILIM and AGND. Current-limit protection is enabled whenever the lower of the two thresholds is reached (see Figure 33). The FAN21SV04 uses its internal low-side MOSFET as the current-sensing element. The current-limit threshold voltage (V_{ILIM}) is compared to the voltage drop across the low-side MOSFET sampled at the end of each PWM off-time cycle. The internal default threshold (I_{LIM} open) is temperature compensated.

In Master Mode, the clock signals go out after power-good signal asserts HIGH. Likewise, in Slave Mode, synchronization to an external clock signal occurs after the power-good signal goes HIGH. Until then, the converter operates in free-run mode.

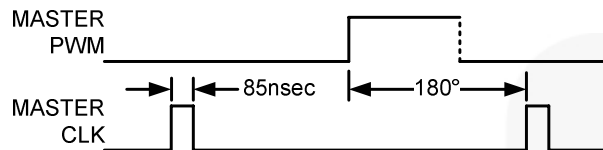


Figure 35. Synchronization Timing Diagram

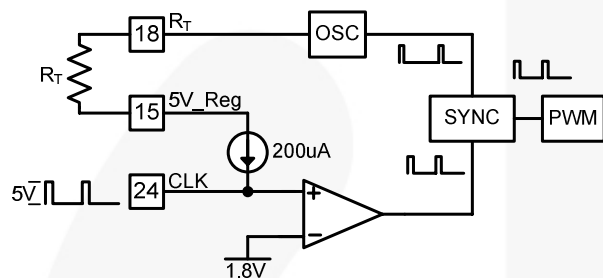


Figure 36. Slave-CLK-Input Block Diagram

One or more slaves can be connected directly to a master or system clock to achieve a 180° phase shift.

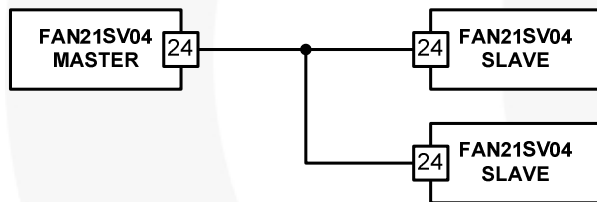


Figure 37. Slaves with 180° Phase Shift

Since the synchronizing circuit utilizes a narrow reset pulse, the actual phase delay is slightly more than 180°.

The FAN21SV04 is not intended for use in single-output, multi-phase regulator applications.

PCB Layout

Good PCB layout and careful attention to temperature rise is essential for reliable operation of the regulator. Four-layer PCB with two-ounce copper on the top and bottom side and thermal vias connecting the layers is recommended. Keep power traces wide and short to minimize losses and ringing. Do not connect AGND to PGND below the IC. Connect AGND pin to PGND at the output OR to the PGND plane.

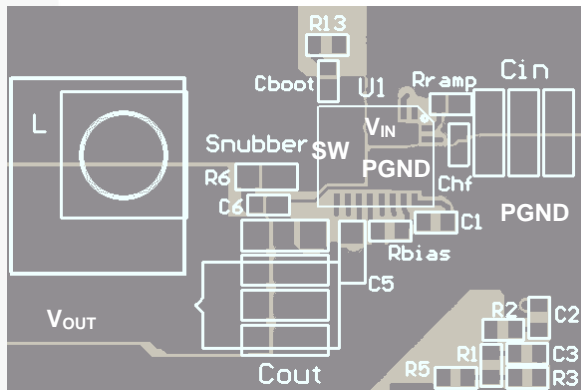


Figure 38. Recommended PCB Layout

Physical Dimensions

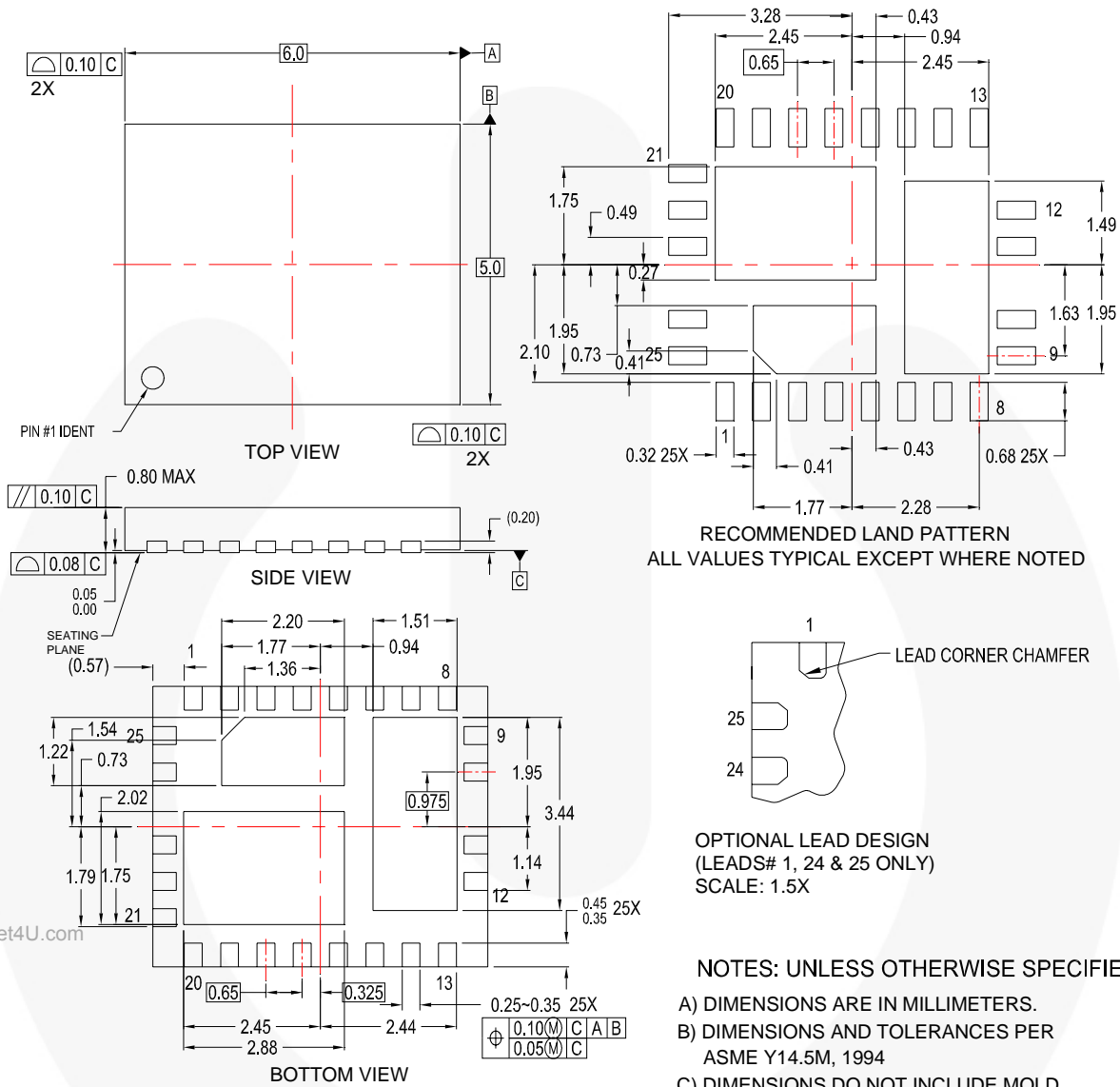


Figure 39. 5x6mm Molded Leadless Package (MLP)



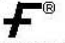



Package drawings are provided as a service to customers considering Fairchild components. Drawings may change in any manner without notice. Please note the revision and/or date on the drawing and contact a Fairchild Semiconductor representative to verify or obtain the most recent revision. Package specifications do not expand the terms of Fairchild's worldwide terms and conditions, specifically the warranty therein, which covers Fairchild products.

Always visit Fairchild Semiconductor's online packaging area for the most recent package drawings:
<http://www.fairchildsemi.com/packaging/>.



TRADEMARKS

The following includes registered and unregistered trademarks and service marks, owned by Fairchild Semiconductor and/or its global subsidiaries, and is not intended to be an exhaustive list of all such trademarks.

AccuPower™	FPS™	PowerTrench®	The Power Franchise®
Auto-SPM™	F-PFST™	PowerXS™	the power franchise
Build it Now™	FRFET®	Programmable Active Droop™	TinyBoost™
CorePLUS™	Global Power Resource™	QFET®	TinyBuck™
CorePOWER™	Green FPS™	QS™	TinyCalc™
CROSSVOLT™	Green FPS™ e-Series™	Quiet Series™	TinyLogic®
CTL™	Gmax™	RapidConfigure™	TINYOPTO™
Current Transfer Logic™	GTO™		TinyPower™
EcoSPARK®	IntelliMAX™	Saving our world, 1mW/W/1kW at a time™	TinyPVM™
EfficientMax™	ISOPLANAR™	SignalWise™	TinyWire™
EZSWTCH™	MegaBuck™	SmartMax™	TriFault Detect™
	MICROCOUPLER™	SMART START™	TRUECURRENT™
	MicroFET™	SPM®	μSerDes™
Fairchild®	MicroPak™	STEALTH™	
Fairchild Semiconductor®	MillerDrive™	SuperFET™	UHC®
FACT Quiet Series™	MotionMax™	SuperSOT™-3	Ultra FRFET™
FACT®	Motion-SPM™	SuperSOT™-6	UniFET™
FAST®	OPTOLOGIC®	SuperSOT™-8	VCX™
FastvCore™	OPTOPLANAR®	SupreMOS™	VisualMax™
FETBench™		SyncFET™	XS™
FlashWriter®	PDP SPM™	Sync-Lock™	
	Power-SPM™		

* Trademarks of System General Corporation, used under license by Fairchild Semiconductor.

DISCLAIMER

FAIRCHILD SEMICONDUCTOR RESERVES THE RIGHT TO MAKE CHANGES WITHOUT FURTHER NOTICE TO ANY PRODUCTS HEREIN TO IMPROVE RELIABILITY, FUNCTION, OR DESIGN. FAIRCHILD DOES NOT ASSUME ANY LIABILITY ARISING OUT OF THE APPLICATION OR USE OF ANY PRODUCT OR CIRCUIT DESCRIBED HEREIN; NEITHER DOES IT CONVEY ANY LICENSE UNDER ITS PATENT RIGHTS, NOR THE RIGHTS OF OTHERS. THESE SPECIFICATIONS DO NOT EXPAND THE TERMS OF FAIRCHILD'S WORLDWIDE TERMS AND CONDITIONS, SPECIFICALLY THE WARRANTY THEREIN, WHICH COVERS THESE PRODUCTS.

LIFE SUPPORT POLICY

FAIRCHILD'S PRODUCTS ARE NOT AUTHORIZED FOR USE AS CRITICAL COMPONENTS IN LIFE SUPPORT DEVICES OR SYSTEMS WITHOUT THE EXPRESS WRITTEN APPROVAL OF FAIRCHILD SEMICONDUCTOR CORPORATION.

As used herein:

- Life support devices or systems are devices or systems which, (a) are intended for surgical implant into the body or (b) support or sustain life, and (c) whose failure to perform when properly used in accordance with instructions for use provided in the labeling, can be reasonably expected to result in a significant injury of the user.
- A critical component in any component of a life support, device, or system whose failure to perform can be reasonably expected to cause the failure of the life support device or system, or to affect its safety or effectiveness.

ANTI-COUNTERFEITING POLICY

Fairchild Semiconductor Corporation's Anti-Counterfeiting Policy. Fairchild's Anti-Counterfeiting Policy is also stated on our external website, www.fairchildsemi.com, under Sales Support.

Counterfeiting of semiconductor parts is a growing problem in the industry. All manufacturers of semiconductor products are experiencing counterfeiting of their parts. Customers who inadvertently purchase counterfeit parts experience many problems such as loss of brand reputation, substandard performance, failed applications, and increased cost of production and manufacturing delays. Fairchild is taking strong measures to protect ourselves and our customers from the proliferation of counterfeit parts. Fairchild strongly encourages customers to purchase Fairchild parts either directly from Fairchild or from Authorized Fairchild Distributors who are listed by country on our web page cited above. Products customers buy either from Fairchild directly or from Authorized Fairchild Distributors are genuine parts, have full traceability, meet Fairchild's quality standards for handling and storage and provide access to Fairchild's full range of up-to-date technical and product information. Fairchild and our Authorized Distributors will stand behind all warranties and will appropriately address any warranty issues that may arise. Fairchild will not provide any warranty coverage or other assistance for parts bought from Unauthorized Sources. Fairchild is committed to combat this global problem and encourage our customers to do their part in stopping this practice by buying direct or from authorized distributors.

PRODUCT STATUS DEFINITIONS

Definition of Terms

Datasheet Identification	Product Status	Definition
Advance Information	Formative / In Design	Datasheet contains the design specifications for product development. Specifications may change in any manner without notice.
Preliminary	First Production	Datasheet contains preliminary data; supplementary data will be published at a later date. Fairchild Semiconductor reserves the right to make changes at any time without notice to improve design.
No Identification Needed	Full Production	Datasheet contains final specifications. Fairchild Semiconductor reserves the right to make changes at any time without notice to improve the design.
Obsolete	Not In Production	Datasheet contains specifications on a product that is discontinued by Fairchild Semiconductor. The datasheet is for reference information only.

Rev. I42