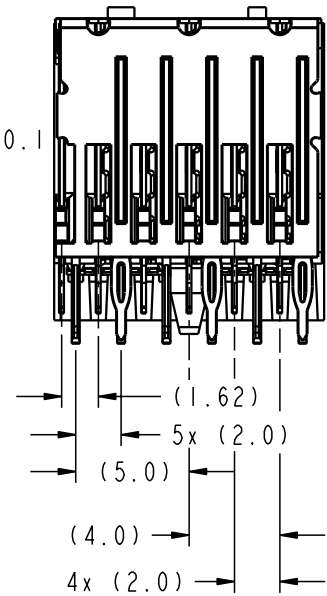
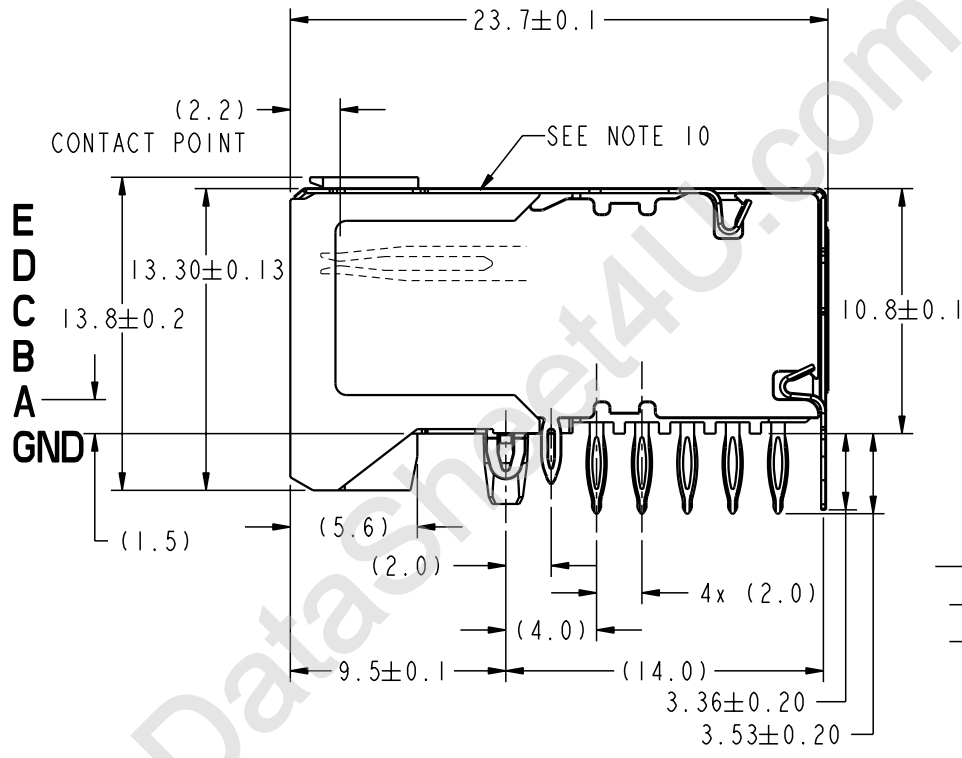
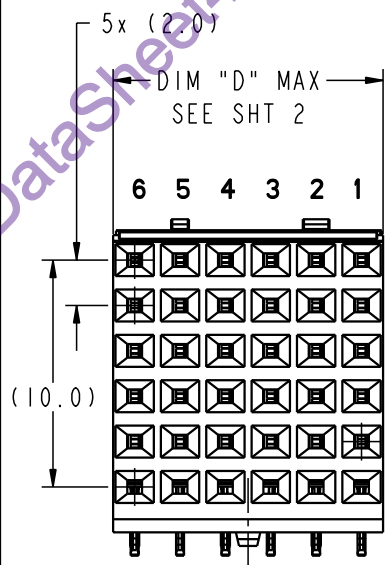


Tous droits strictement réservés. Reproduction ou communication a des tiers interdite sous quelque forme que ce soit sans autorisation écrite du propriétaire. Propriété de c FCI. Droits de reproduction FCI.



All rights strictly reserved. Reproduction or issue to third parties in any form whatever is not permitted without written authority from the proprietor. Property of FCI. Copyright FCI.

PRODUCT NUMBER
84688-XYX



CONFIDENTIAL

mat'l code				SEE NOTES		tolerances unless otherwise specified		CUSTOMER		ELECTRONICS www.fciconnect.com		
ltr	ecn no.	dr	date	linear	0.X ±0.3		COPY		title 5 ROW RECEPTACLE MONOBLOCK SIGNAL ASSEMBLY			
A	V90180	L-IV	05-21-01		0.XX ±0.10		projection					
B	V94066	SAK	10-20-99		0.XXX ±0.050							
C	V01869	SAK	08-18-00	angles	0° ±2°		scale 3:1		product family METRAL 1000			
D	V11732	SAK	06-22-01	dr	S. KLINE	07-06-01	MM 		code			
E	V11836	SAK	11-07-01	engr	W. J. SWAIN	07-06-01			size, dwg no		213	
F	V20353	TAB	02-15-02	chr	W. J. SWAIN	07-06-01			A		84688	
sheet index		revision sheet		F	F	F			sheet 1 of 3			
				1	2	3			1 of 3			

Pro/E 3 cage code 22526 4

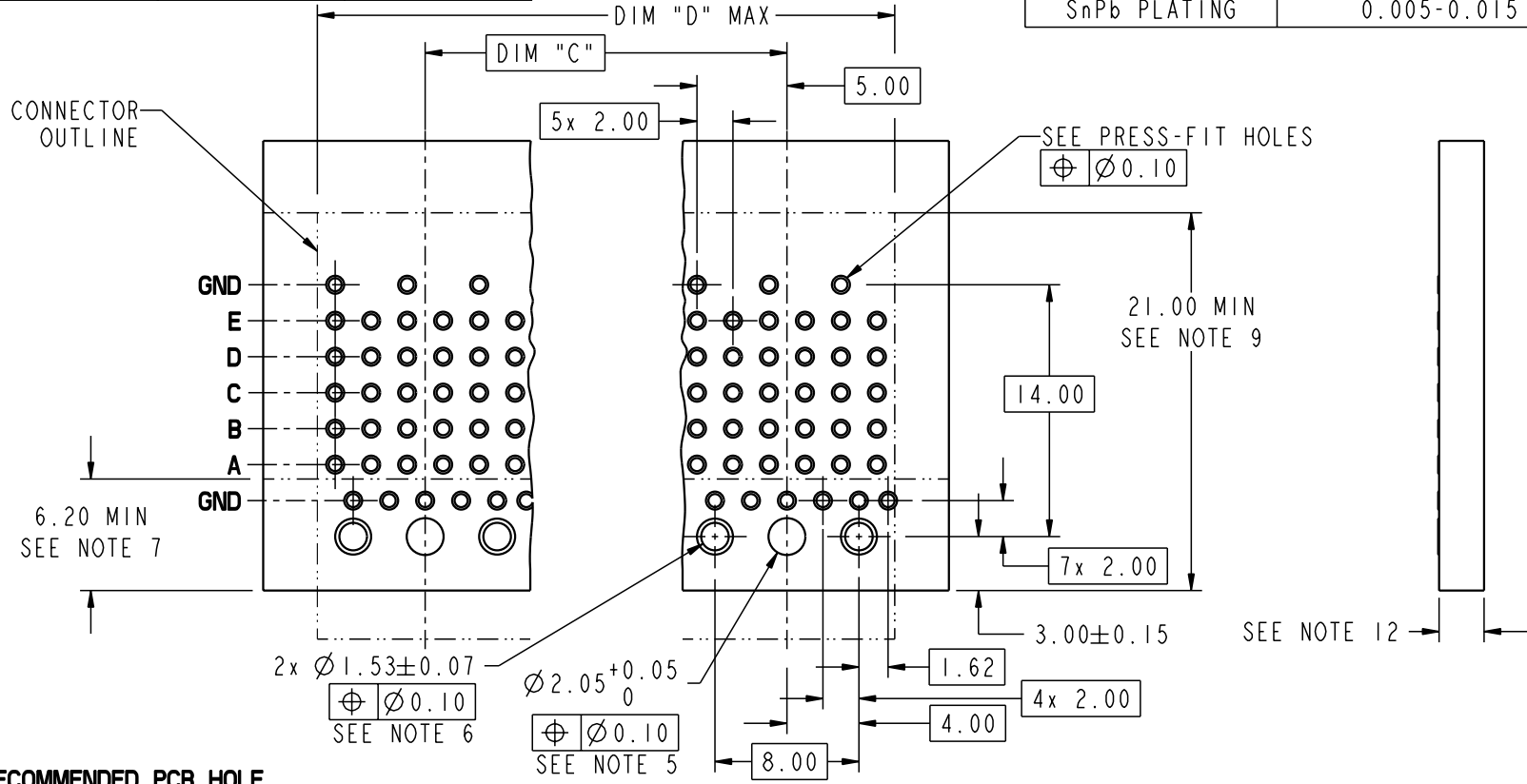
Tous droits strictement réservés. Reproduction ou communication a des tiers interdite sous quelque forme que ce soit sans autorisation écrite du propriétaire. Propriété de c FCI. Droits de reproduction FCI.



All rights strictly reserved. Reproduction or issue to third parties in any form whatever is not permitted without written authority from the proprietor. Property of FCI. Copyright FCI.

PRODUCT NUMBER	CONTACT PLATING	SHIELD PLATING
84688-1YY	0.8 μm Au	0.8 μm Au
84688-3YY	1.3 μm Au	1.3 μm Au
84688-9YY	0.8 μm GXT	0.8 μm Au
84688-9YYS	0.8 μm GXT	1.3 μm GXT

PRESS-FIT HOLES	OPTION 1
HOLE DIAMETER AFTER PLATING	∅0.65-∅0.80
DRILLED HOLE	∅0.81-∅0.86 (∅0.85 DRILL)
COPPER PLATING	0.025 MIN
SnPb PLATING	0.005-0.015



RECOMMENDED PCB HOLE PATTERN-COMPONENT SIDE

PRODUCT NO.	DIM "C"	DIM "D"	TOOLING STATUS
-X01	---	11.98	AVAILABLE
-X02	12.00	23.98	AVAILABLE
-X03	24.00	35.98	AVAILABLE
-X04	36.00	47.98	AVAILABLE
-X05	48.00	59.98	PRELIMINARY
-X06	60.00	71.98	PRELIMINARY

CONFIDENTIAL

mat'l code				SEE NOTES		tolerances unless otherwise specified		CUSTOMER		ELECTRONICS www.fciconnect.com	
ltr	ecr no.	dr	date	linear	0.X ±0.3		COPY		title 5 ROW RECEPTACLE MONOBLOCK SIGNAL ASSEMBLY		
F	---	---	---		0.XX ±0.10		projection				
					angles	0.XXX ±0.050				product family METRAL 1000 code	
				dr		S. KLINE	07-06-01	MM		size	
				enr	W. J. SWAIN	07-06-01			dwg no		
				chr	W. J. SWAIN	07-06-01	scale 1:1		A 84688		
				appd	W. J. SWAIN	07-06-01			sheet 213		
sheet index		revision sheet								sheet 2	

Pro/E 3 coge code 22526 4

Tous droits strictement réservés. Reproduction ou communication a des tiers interdite sous quelque forme que ce soit sans autorisation écrite du propriétaire. Propriété de c FCI. Droits de reproduction FCI.



All rights strictly reserved. Reproduction or issue to third parties in any form whatever is not permitted without written authority from the proprietor. Property of FCI. Copyright FCI.

PRODUCT NUMBER
84688-XYX

NOTES

1. UNLESS OTHERWISE SPECIFIED ALL DIMENSIONS AND TOLERANCES ARE IN ACCORDANCE WITH ASME Y14.5M, 1994
2. HOUSING MATERIAL: LIQUID CRYSTAL POLYMER, GLASS FILLED
FLAME RETARDANT ACC. UL94V-0
3. GROUND SHIELD MATERIAL: PHOSPHOR BRONZE
SIGNAL CONTACT MATERIAL: COPPER ALLOY
4. PLATING ON PRESS-FIT TAIL AREA: SnPb
- ⑤. Ø2.05 HOLE IS UNPLATED
- ⑥. Ø1.53 PLATED HOLES (2x) ARE FOR GROUNDS
- ⑦. AVOID TRACES IN THIS AREA ON TOP OF PCB DUE TO EXPOSED GROUND SHIELD
8. UNDERPLATING FOR SHIELD AND SIGNAL CONTACTS IS 1.3 µm Ni MIN
- ⑨. COMPONENT KEEP OUT ZONE FOR PRESS BLOCK CLEARANCE
- ⑩. PRODUCT MARKING: DATE AND LOT CODE
11. SEE GS-20-017 FOR APPLICATION OF CONNECTOR TO PCB
- ⑫. PCB THICKNESS RANGE: 1.3mm TO 2.5mm
13. SEE PRODUCT SPECIFICATION GS-12-110 FOR PRODUCT PERFORMANCE CHARACTERISTICS.

CONFIDENTIAL

mat'l code				SEE NOTES		tolerances unless otherwise specified		CUSTOMER		ELECTRONICS www.fciconnect.com	
ltr	ecr no.	dr	date	linear	0.X ±0.3		COPY			title	
F	---	---	---		0.XX ±0.10		projection			5 ROW RECEPTACLE	
					0.XXX ±0.050					MONOBLOCK SIGNAL ASSEMBLY	
				angles	0° ±2°				product family		
				dr	S. KLINE	07-06-01	MM		METRAL 1000		code
				enr	W. J. SWAIN	07-06-01	← MM →		size		213
				chr	W. J. SWAIN	07-06-01	scale		dwg no		sheet
				appd	W. J. SWAIN	07-06-01	1:1		A		3
sheet index		revision sheet									

Pro/E

cage code 22526

PDM: Rev:F

STATUS: Released

Printed: Jun 19, 2002