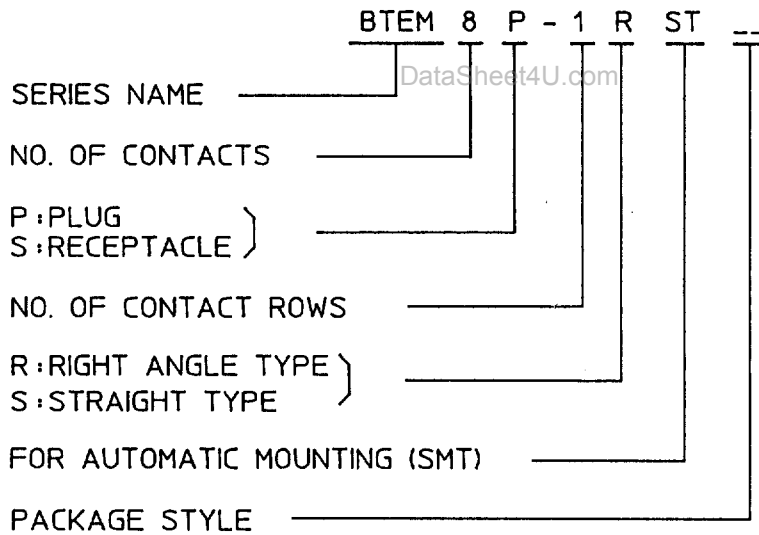


CAT. NO. & DIMENSIONS

NO. OF CONTACTS (n)	PLUG		RECEPTACLE	
	CAT. NO.	DIMENSIONS (NOTE)	CAT. NO.	DIMENSIONS (NOTE)
		A ±0.3		B ±0.3
9	BTEM 9P - 1RST__	14.55	BTEM 9S - 1S	12.50
17	BTEM17P - 1RST__	24.55	BTEM17S - 1S	22.50
19	BTEM19P - 1RST__	27.05	BTEM19S - 1S	25.00
20	BTEM20P - 1RST__	28.30	BTEM20S - 1S	26.25

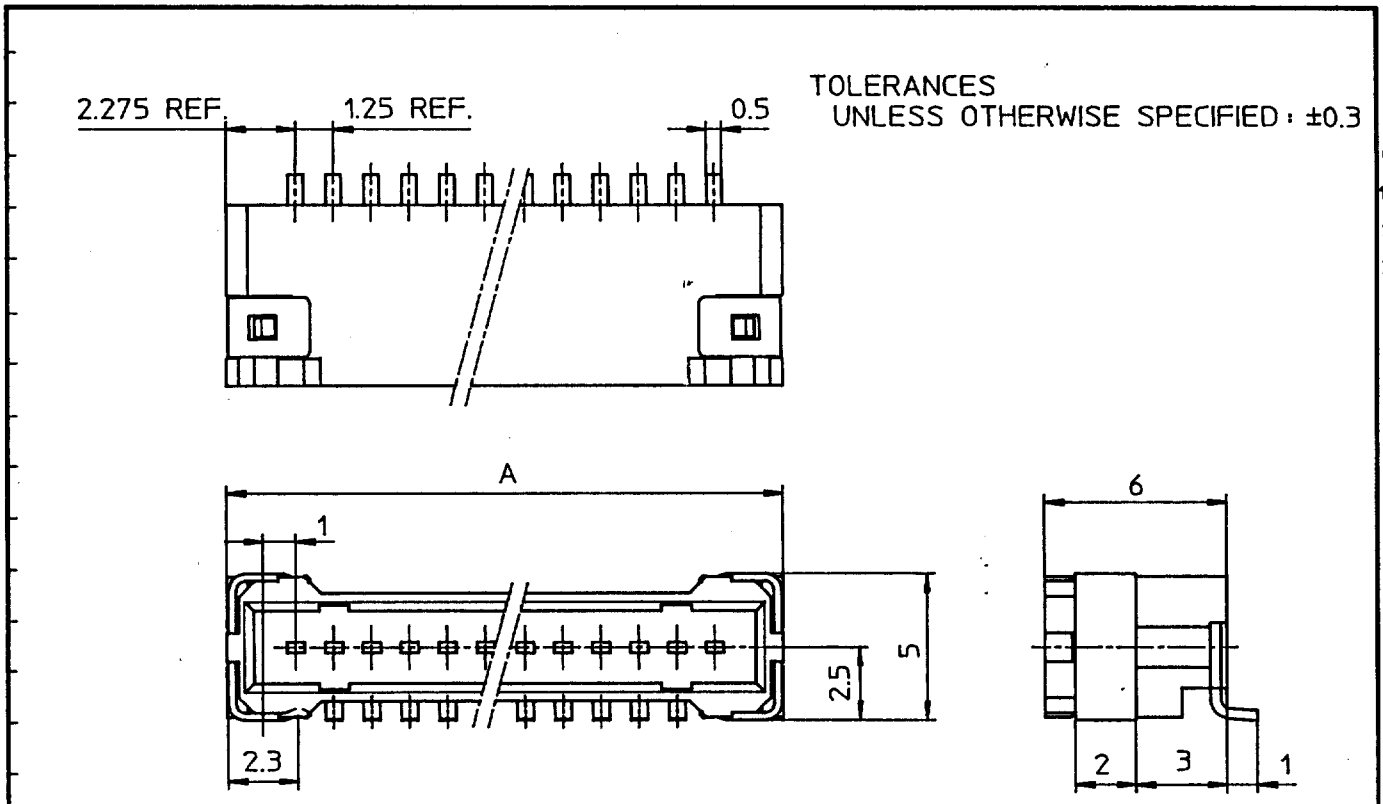
CAT. NO.



NOTE.

SEE REF. DWG.

				SCALE	×	1.25mm SPACING CONNECTOR FOR BOARD TO BOARD	
				DIM. IN	mm	CAT. NO.	
1	Feb. 18. '97	PRODUCT NAME CHANGED. M.I	KA	DESIGNED		BTEM __ P - 1RST__ / BTEM __ S - 1S	
REV.	DATE	DESCRIPTION	CKD.	DRAWN	M.Oba	DRAWING NO.	REV.
MATERIAL				CHECKED	M.Harada	JSA 92885	1
				APPROVED	S.Ito	FRAMATOME CONNECTORS JAPAN LTD.	
				DATE	Jul 29, 1994		

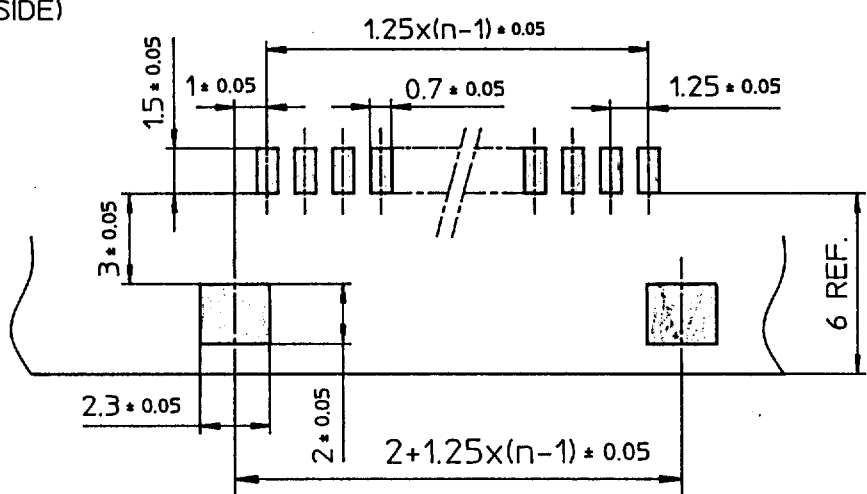


TOLERANCES
UNLESS OTHERWISE SPECIFIED : ±0.3

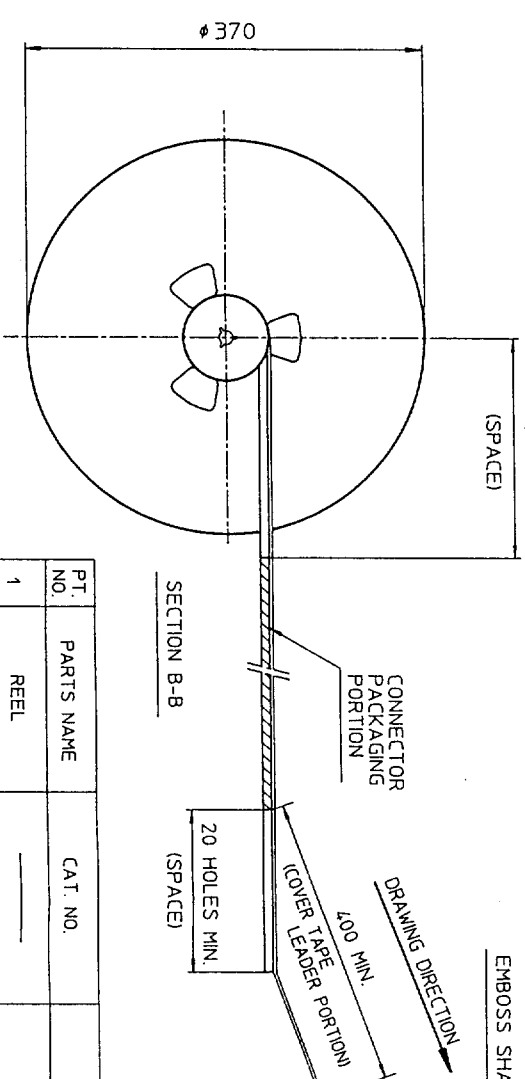
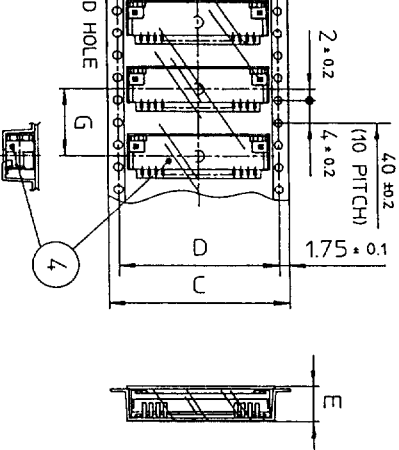
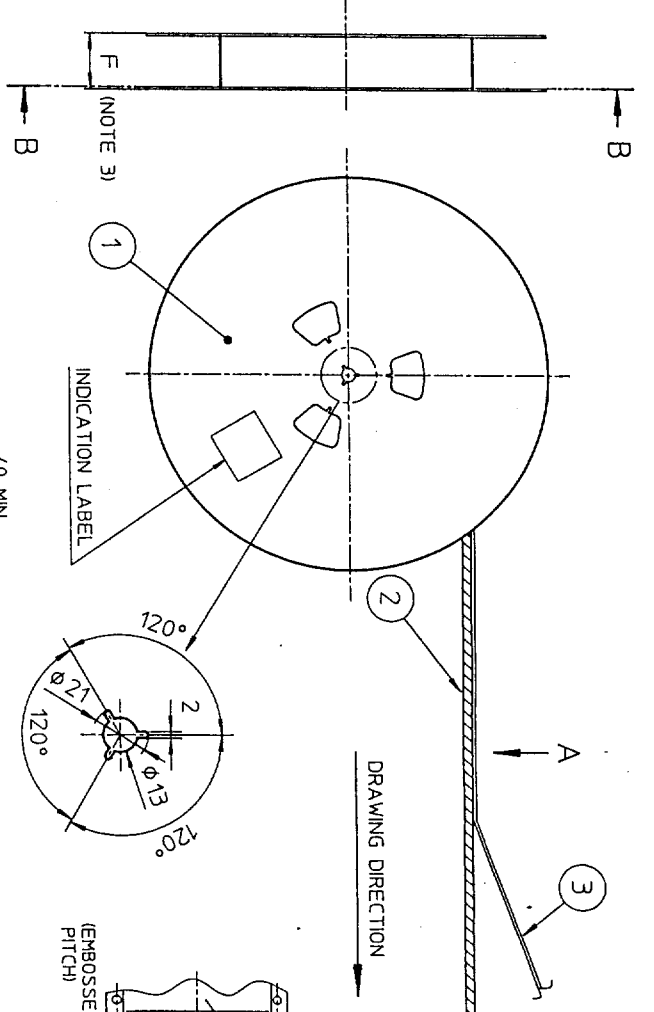
MATERIAL

INSULATOR : PPS RESIN GLASS REINFORCED (UL94V-0)
 COLOR : BLACK
 CONTACT : BRASS
 TIN ALLOY PLATED
 PAD : PHOSPHOR BRONZE
 TIN ALLOY PLATED

**RECOMMENDED PC BOARD LAYOUT
(COMPONENT SIDE)**



				SCALE	∞	1.25mm SPACING CONNECTOR FOR BOARD TO BOARD	
2	97 2-18	PRODUCT NAME CHANGED M.I	ca	DIM. IN	mm	CAT. NO.	
1	94 6-28	TABLE OF DELETED. M.O	S.I	DESIGNED		BTEM __ P - 1RST__	
REV.	DATE	DESCRIPTION	CKD.	DRAWN	M. Oba	DRAWING NO.	REV.
MATERIAL				CHECKED	S. Ito	JSA 91242	2
				APPROVED	J. Kobayashi	www.DataSheet4U.com	
				DATE	July. 29, 1991	FRAMATOME CONNECTORS JAPAN LTD.	



CAT. NO.	DIMENSIONS				
	C±0.5	D±0.1	E±0.2	F	G±0.2
BTEM_9P-1RSTE	24	—	5.92	30.4	12
BTEM7P-1RSTE	32	28.4	5.92	38.4	12
BTEM9P-1RSTE	44	40.4	6.02	50.4	12
BTEM20P-1RSTE	44	40.4	6.02	50.4	12
BTEM30P-1RSTE1	56	52.4	5.95	62.4	16

TOLERANCES
UNLESS OTHERWISE SPECIFIED : ±5 , ANGLE ±5°

NOTES
1. THIS IS PLASTIC TAPE PACKAGED CONNECTOR COBES WITH AUTOMATIC MOUNTING (SMT).
2. SEE JIS C 0806 (PACKING OF ELECTRONIC COMPONENTS ON CONTINUOUS TAPES (SURFACE MOUNTING DEVICES)) FOR SHAPE AND DIMENSIONS OF PLASTIC (EMBOSS) TAPE AND REEL.
3. F DIMENSION IS PORTION OF THE CORE.

PT. NO.	PARTS NAME	CAT. NO.	MATERIAL	QTY	NOTE
1	REEL	—	CARDBOARD	1	COLOR:GRAY
2	PLASTIC (EMBOSS) TAPE	—	POLYPROPYLENE	—	COLOR:TRANSPARENCY
3	COVER	—	POLYESTER	—	COLOR:TRANSPARENCY
4	1.25mm SPACING CONNECTOR	BTEM_P-1RST	SEE ATTACHED DWG.	1000	

DRAWING NO. JSC 91243

4	'97-2-18	PRODUCT NAME CHANGED. M.I	ka	SCALE	X	DESIGNED		1.25mm SPACING CONNECTOR FOR BOARD TO BOARD (SMT SPECIFICATION EMBOSS PACKAGE) CAT. NO. BTEM_P-1RSTE_ DRAWING NO. JSC 91243 FRAMATOME CONNECTORS JAPAN LTD.
3	'96-7-22	CHANGED DRAWING PORTION. M.I, MK	ka	DIM. IN	mm	DRAWN	M. Oga	
2	'94-6-28	9, 20 POSITIONS ADDED. M.O	S.9	MATERIAL		CHECKED	S.9to	
1	'84-4-22	MATERIAL CHANGED. M.I, H	S.9			APPROVED	J. Kobayashi	
REV.	DATE	DESCRIPTION	CKD.			DATE	July. 29, 1991	