

**TRIPLE DIFFUSED PLANER TYPE
ULTRA HIGH β TRANSISTOR
INDUSTRIAL USE POWER SUPPLY**

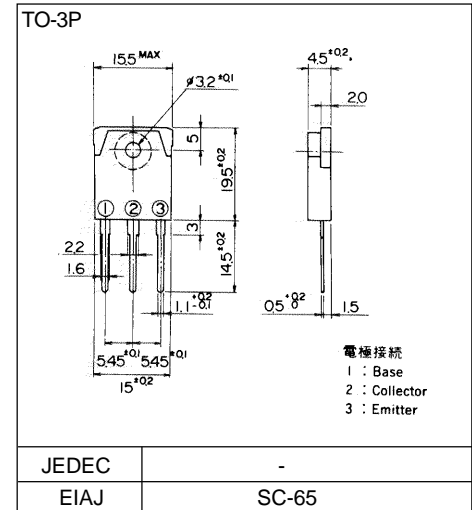
■ **Features**

- Ultra high β
- Excellent linearity in hFE
- Excellent safe operating area
- High reliability

■ **Applications**

- Color & B/W TV power supply
- Active power filter
- Industrial use power supply (Series regulator)
- General purpose power amplifiers

■ **Outline Drawings**



■ **Maximum ratings and characteristics**

- **Absolute maximum ratings (Tc=25°C unless otherwise specified)**

Item	Symbol	Ratings	Unit
Collector-Base voltage	V _{CB0}	200	V
Collector-Emitter voltage	V _{CE0}	180	V
Emitter-Base voltage	V _{EB0}	6	V
Collector current	I _C	5	A
Base current	I _B	0.5	A
Collector power dissipation	P _C	80	W
Operating junction temperature	T _j	+150	°C
Storage temperature	T _{stg}	-55 to +150	°C

- **Electrical characteristics (Tc =25°C unless otherwise specified)**

Item	Symbol	Test Conditions	Min.	Typ.	Max.	Units
Collector-Base voltage	V _{CB0}	I _{CBO} = 1mA	200			V
Collector-Emitter voltage	V _{CE0}	I _{CEO} = 10mA	180			V
Emitter-Base voltage	V _{EB0}	I _{EBO} = 1mA	6			V
Collector-Base leakage current	I _{CBO}	V _{CB0} = 200V			1.0	mA
Emitter-Base leakage current	I _{EBO}	V _{EB0} = 6V			1.0	mA
D.C. current gain	hFE	I _C = 1A, V _{CE} = 4V	700			
Collector-Emitter saturation voltage	V _{CE(Sat)}	I _C = 1.5A, I _B = 50mA			1.5	V
Base-Emitter saturation voltage	V _{BE(Sat)}				2.0	V

- **Thermal characteristics**

Item	Symbol	Test Conditions	Min.	Typ.	Max.	Units
Thermal resistance	R _{th(j-c)}	Junction to case			1.55	°C/W

Characteristics

