

# GERMANIUM POWER TRANSISTORS

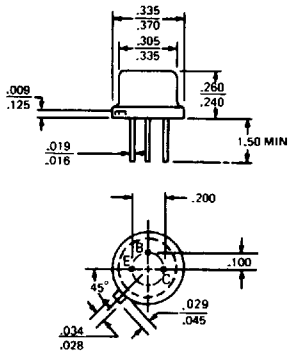
Type Number	Min. Derate J to C W/°C	I <sub>C</sub> A	ABSOLUTE MAX. RATINGS				Max. I <sub>CEO</sub> @ Max. V <sub>CE</sub> @ 25°C A	Bias		h <sub>FE</sub>		f <sub>sw</sub> (Hz)	Max. Sat. Res. Ω	Max. P <sub>c</sub> Free Air @ 25°C W
			I <sub>B</sub> A	BV <sub>CBO</sub> V	BV <sub>ESB</sub> V	BV <sub>CEO</sub> V		V <sub>CB</sub> V	I <sub>C</sub> A	Min.	Max.			
<b>GERMANIUM PNP DAP TRANSISTORS</b>														
<b>TO-3</b>														
MP1612	1	20		70	2	50			10	25	100		.03	85
MP1612A	1	20		110	2	75			10	25	100		.03	85
MP1612B	1	20		13	2	100			10	25	100		.03	85
MP1613	1	7	2	100	50	75	5.0m	2	1	40	70			85
2N2147	660m	5	1	75	1.5	50	10m	2	1	100	300	3.0m	250m	12
2N2148	660m	5	1	60	1.0	40	10m	2	1	40	160	2.0m	250m	12
40612	167m	5	1		5.0		3.0μ	2	1	30	150			12
40623	167m	5	1		5.0		500μ	2	1	50	170			12
40626	167m	5	1		5.0		500μ	2	1	50	170			12
2N1905	667m	6	1	100	1.5	50	10m	2	1	50	150	2.0m	200m	12
2N1906	667m	6	1	130	1.5	60	10m	2	1	75	250	3.0m	100m	30
2N3730	303m	3	500m	200	.5	200	200μ	4	50m	10	200	1.0m	880m	30
2N3731	167m	10	4	320	2.0	320	200μ	3	6	15	250m		250m	10
2N3732	100m	3	500m	100	.5	100	200μ	4	700m	35	500	1.0m	350m	3
40439	666m	10	4	320	2.0	320	200μ						250m	5
40440	666m	10	4	200	2.0	200	200μ						120m	5
40442	666m	10	4		2.0	60							130m	5
2N4346	167m	5	1	75	1.5	50	1.0m	2	1	62	175	4.0m	200m	12
40421	660m	5	1	40	5.0	40	500μ	2	1	50	90	600k		12
40462	666m	5	1	40	5.0	40	500μ	2	1	50	90	600k		12
2N2526	1	10		80	2.0	80	3m	2	3	20	50			85
2N2527	1	10		120	2.0	120	3m	2	3	20	50			85
2N2528	1	10		160	2.0	160	3m	2	3	20	50			85
2N2832	1	20	5	80	2.0	50	10m	2	10	25	100			85
2N2833	1	20	5	120	2.0	75	10m	2	10	25	100			85
2N2834	1	20	5	140	2.0	100	10m	2	10	25	100			85
2N5155	1.25	25	5	140	1.5	120	10m	2	8	25	100			106
2N5324	0.67	10	3	250	2.0	150	7m	2	5	20	60			56
2N5325	0.67	10	3	325	2.0	200	7m	2	5	20	60			56
2N5435	1.43	60	12	80	2.5	60	10m	2	25	20	60	350k		120
2N5436	1.43	60	12	110	2.5	90	10m	2	25	20	60	350k		120
2N5437	1.43	60	12	140	2.5	120	10m	2	25	20	60	350k		120
2N5438	1.43	60	12	80	2.5	60	10m	2	25	40	120	350k		120
2N5439	1.43	60	12	110	2.5	90	10m	2	25	40	120	350k		120
2N5440	1.43	60	12	140	2.5	120	10m	2	25	40	120	350k		120
1N4785 (Diode)	PRV 320V max.; Peak Forward Current 10A. max; Average Forward Current 7A.													

t<sub>r</sub>  
 1 750 nano sec  
 2 1.2 μsec

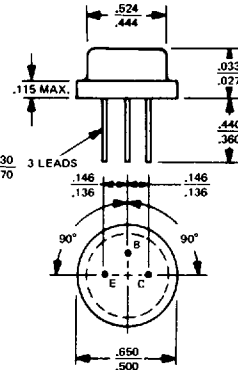
# GERMANIUM POWER TRANSISTORS

## CASE OUTLINE DRAWINGS & DIMENSIONS

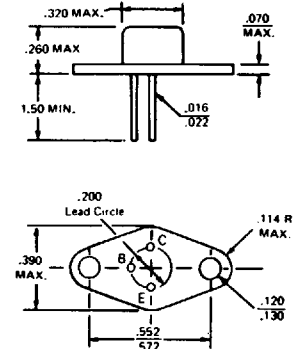
TO-5



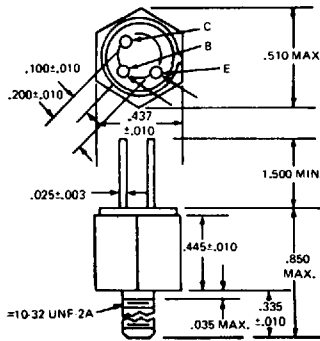
TO-8



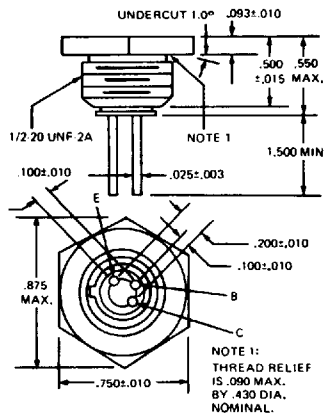
TO-37



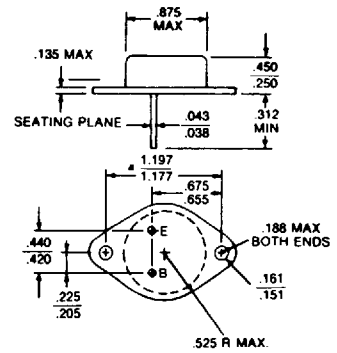
MT-27



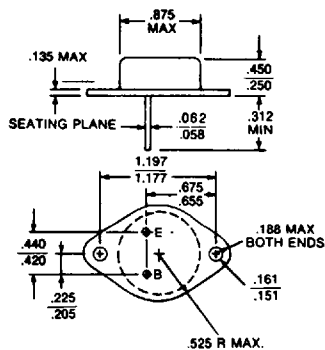
MT-28



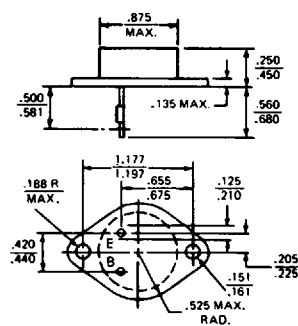
TO-3



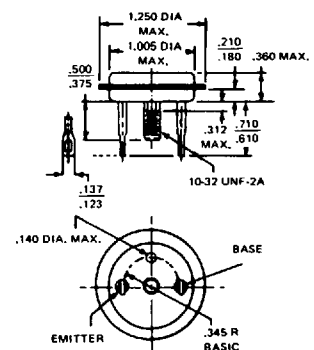
MODIFIED TO-3  
(60 mil pins)



TO-41



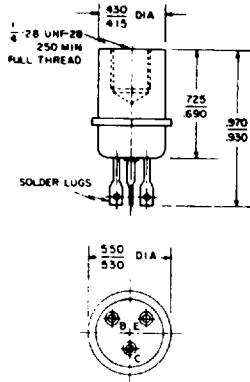
TO-36



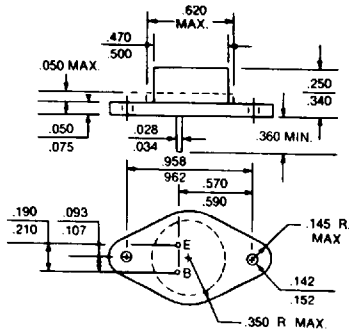
# GERMANIUM POWER TRANSISTORS

## CASE OUTLINE DRAWINGS & DIMENSIONS

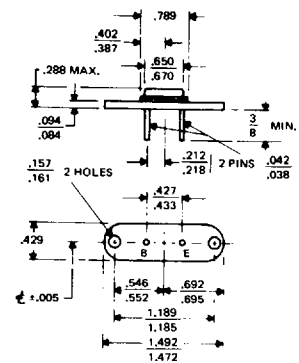
TO-13



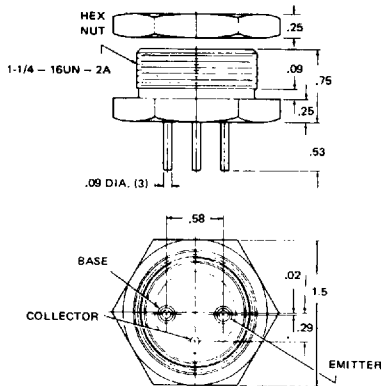
TO-66



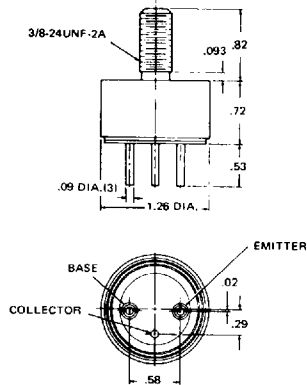
MS-7



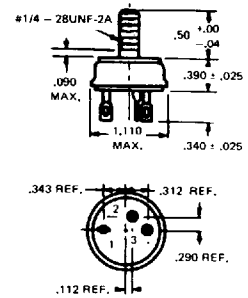
MT-22



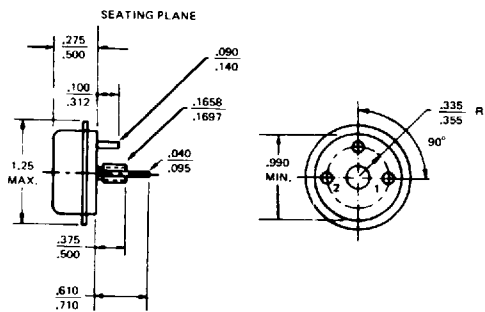
MT-23



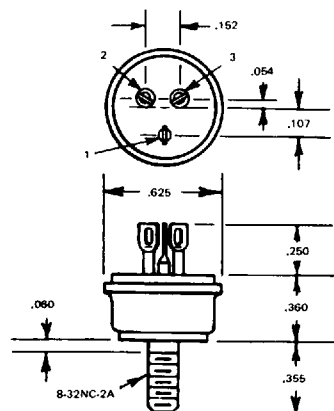
MT-7



TO-68



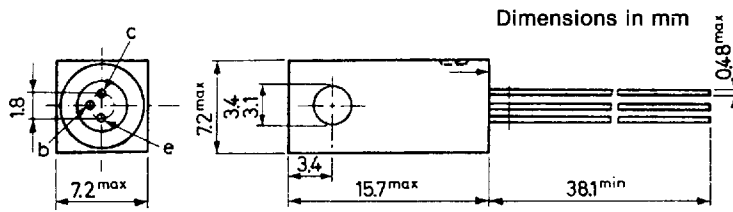
MT-36



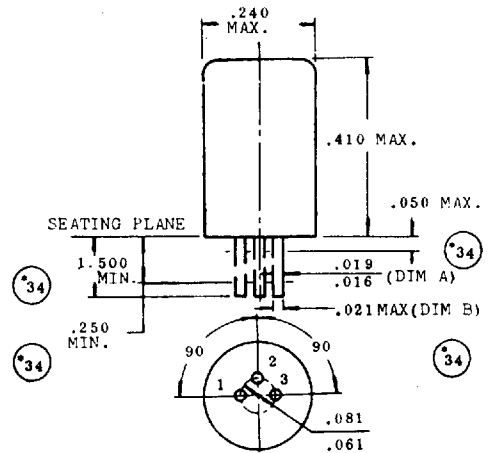
# GERMANIUM POWER TRANSISTORS

## CASE OUTLINE DRAWINGS & DIMENSIONS

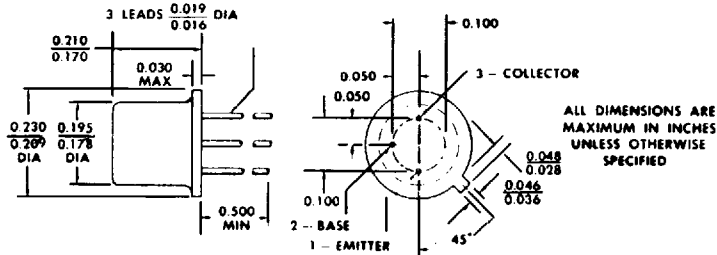
NS257



TO-1



TO-18



THE COLLECTOR IS ELECTRICAL CONTACT WITH THE CASE.

ALL JEDEC TO-18 DIMENSIONS AND NOTES ARE APPLICABLE.



**GERMANIUM POWER DEVICES CORP.**

300 Brickstone Square · York Street · P.O. Box 3065  
Shawsheen Village Station · Andover, Massachusetts 01810  
Telephone (508) 475-5982 · FAX (508) 470-1512

26

Printed in U.S.A.

■ 3947375 0000689 52T ■

54134