

GERMANIUM POWER TRANSISTORS

Type Number	Case Type	V _{CEO} V	V _{CBO} V	V _{ERO} V	V _{CER} V	V _{CES} V	CURRENT GAIN			SATURATION VOLTAGES				θ_{j-c} °C/W
							Min.	h_{FE}	Max.	V _{CE} @ I _C V	I _C @ I _B A	V _{CE(s)} V	V _{BE(s)} V	

4 AMP GERMANIUM PNP

2N234A	TO-3	25					25								
2N235B	TO-3	25		15.0			35		34	40					
2N255A	TO-3	15		15.0			15		25						
2N256A	TO-3	30		15.0			25		25						
2N257	TO-3	40		6.0					20						
2N553	TO-3	80		40.0					40	80	2.0	.5	.90		
2N663	TO-3	50	25	20.0					25	75	2.0	.5	1.00	1.50	.3
2N1159	TO-3	80	60	20.0					30	75	2.0	3.0	.07		3.0

5 AMP GERMANIUM PNP

2N350	TO-3	50		10.0			30	20	60	2.0	.7	.40		3.0	.300	.80	
2N350A	TO-3	50		25.0			40	20	60	2.0	.7	1.75		3.0	.300	.80	
2N351	TO-3	50		10.0			30	25	90	2.0	.7	.40		3.0	.300	.80	
2N351A	TO-3	50		25.0			40	25	90	2.0	.7	1.75		4.0	.400	.80	
2N376	TO-3	50		10.0			30	35	120	2.0	.7	.40		3.0	.300	.80	
2N376A	TO-3	50		25.0			40	35	120	2.0	.7	1.75		5.0	.500	.80	
2N665	TO-3	80		40.0					80	2.0	.5	.90		.3	.200	1.00	
2N669	TO-3	40		20.0			30	75	250	2.0	.5					.80	
2N1011	TO-3	80	40	40.0			80	30	75	2.0	3.0	.15		3.0	.300	2.00	
2N1168	TO-3	50		20.0			30	70	110	2.0	1.0	.25		3.0	.100	1.50	
2N1529	TO-3	40	20	20.0			30	20	40	2.0	3.0	1.50		3.0	.300	1.20	
2N1529A	TO-3	40	20	20.0			30	20	40	2.0	3.0	1.50		3.0	.300	.80	
2N1530	TO-3	60	30	30.0			45	20	40	2.0	3.0	1.50		3.0	.300	.80	
2N1530A	TO-3	60	30	30.0			45	.20	40	2.0	3.0	1.50		3.0	.300	.80	
2N1531	TO-3	80	40	40.0			60	20	40	2.0	3.0	1.50		3.0	.300	.80	
2N1531A	TO-3	80		40.0			60	20	40	2.0	3.0	1.50		3.0	.300	.80	
2N1532	TO-3	100	50	50.0			75	20	40	2.0	3.0	1.50		3.0	.300	.80	
2N1532A	TO-3	100		50.0			75	20	40	2.0	3.0	1.50		3.0	.300	.80	
2N1533	TO-3	120	60	60.0			90	20	40	2.0	3.0	1.50		3.0	.300	.80	
2N1534	TO-3	40	20	20.0			30	35	70	2.0	3.0	1.20		3.0	.300	.80	
2N1534A	TO-3	40		20.0			30	35	70	2.0	3.0	1.20		3.0	.300	.80	
2N1535	TO-3	60	30	30.0			45	35	70	2.0	3.0	1.20		3.0	.300	.80	
2N1535A	TO-3	60		30.0			45	35	70	2.0	3.0	1.20		3.0	.300	.80	
2N1536	TO-3	80	40	40.0			60	35	70	2.0	3.0	1.20		3.0	.300	.80	
2N1536A	TO-3	80		40.0			60	35	70	2.0	3.0	1.20		3.0	.300	.80	
2N1537	TO-3	100	50	50.0			75	35	70	2.0	3.0	1.20		3.0	.300	.80	
2N1537A	TO-3	100		50.0			75	35	70	2.0	3.0	1.20		3.0	.300	.80	
2N1538	TO-3	120	60	60.0			90	35	70	2.0	3.0	1.20		3.0	.300	.80	
2N1539	TO-3	40	20	20.0			30	50	100	2.0	3.0	.30		3.0	.300	.80	
2N1539A	TO-3	40		20.0			30	50	100	2.0	3.0	.30		3.0	.300	.80	
2N1540	TO-3	60	30	30.0			45	50	100	2.0	3.0	.30		3.0	.300	.80	
2N1540A	TO-3	60		30.0			45	50	100	2.0	3.0	.30		3.0	.300	.80	
2N1541	TO-3	80	40	40.0			60	50	100	2.0	3.0	.30		3.0	.300	.80	
2N1541A	TO-3	80		40.0			60	50	100	2.0	3.0	.30		3.0	.300	.80	
2N1542	TO-3	100	50	50.0			75	50	100	2.0	3.0	.30		3.0	.300	.80	
2N1542A	TO-3	100		50.0			75	50	100	2.0	3.0	.30		3.0	.300	.80	
2N1543	TO-3	120	60	60.0			90	50	100	2.0	3.0	.30		3.0	.300	.80	
2N1543A	TO-3	120		60.0			90	50	100	2.0	3.0	.30		3.0	.300	.80	
2N1544	TO-3	40	20	20.0			30	75	150	2.0	3.0	.20		3.0	.300	.80	
2N1544A	TO-3	40	20	20.0			30	75	150	2.0	3.0	.20		3.0	.300	.80	
2N1545	TO-3	60	30	30.0			45	75	150	2.0	3.0	.20		3.0	.300	.80	
2N1545A	TO-3	60	30	30.0			45	75	150	2.0	3.0	.20		3.0	.300	.80	
2N1546	TO-3	80	40	40.0			60	75	150	2.0	3.0	.20		3.0	.300	.80	
2N1546A	TO-3	80	40	40.0			60	75	150	2.0	3.0	.20		3.0	.300	.80	
2N1547	TO-3	100	50	50.0			75	75	150	2.0	3.0	.20		3.0	.300	.80	
2N1547A	TO-3	100	50	50.0			75	75	150	2.0	3.0	.20		3.0	.300	.80	
2N1548	TO-3	120	60	60.0			90	75	150	2.0	3.0	.20		3.0	.300	.80	
2N1971	TO-3	80		40.0					25	60	2.0	.5				2.00	
2N2266	MT-36	80	55						25	75	2.0	5.0	.75		5.0	.667	1.20
2N2267	MT-36	100	55						25	75	2.0	5.0	.75	5.50	5.0	.667	1.20

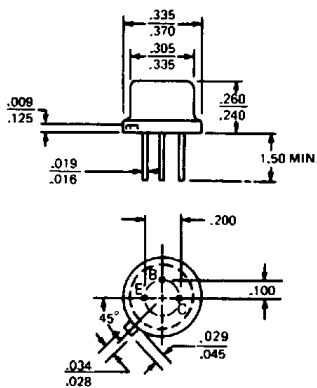
6 AMP GERMANIUM PNP

2N1136	TO-3	60		15.0			50	100	5.0	3.0	1.0			3.0	.300	1.20
2N1136A	TO-3	90		15.0			50	100	5.0	3.0	1.0			3.0	.300	1.20
2N1136B	TO-3	100		15.0			50	100	5.0	3.0	1.0			3.0	.300	1.20
2N1137	TO-3	60	25	15.0			75	150	5.0	3.0	1.0			3.0	.300	1.20
2N1137A	TO-3	90	55	15.0			75	150	5.0	3.0	1.0			3.0	.300	1.20

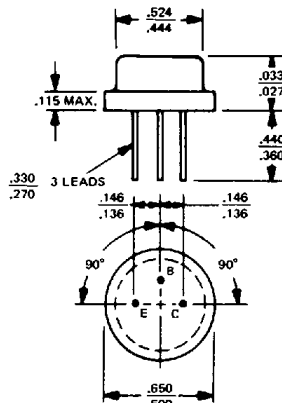
GERMANIUM POWER TRANSISTORS

CASE OUTLINE DRAWINGS & DIMENSIONS

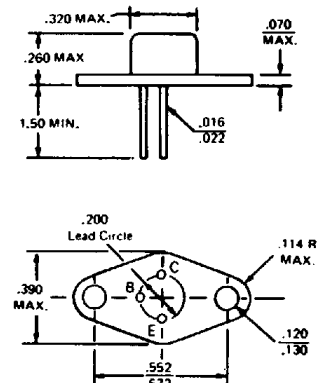
TO-5



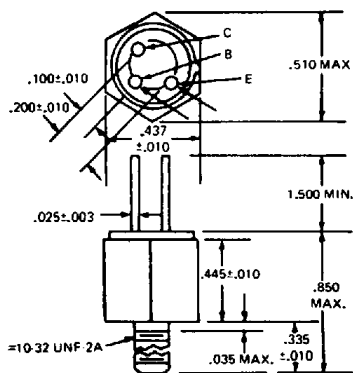
TO-8



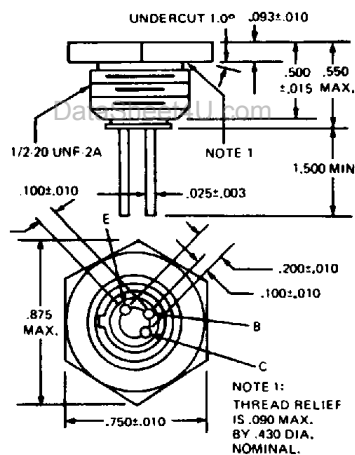
TO-37



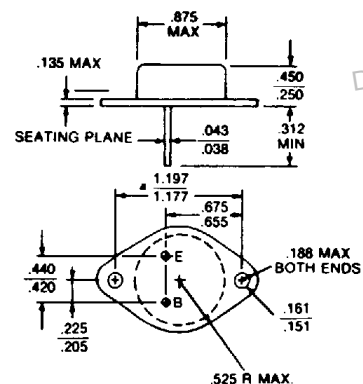
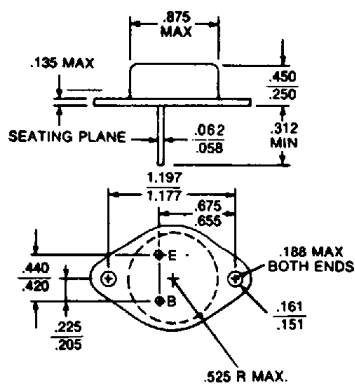
MT-27



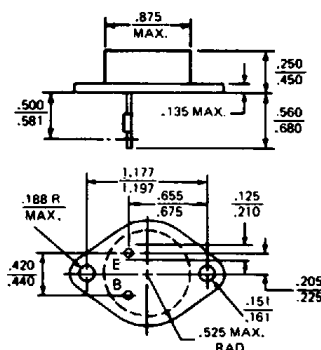
MT-28



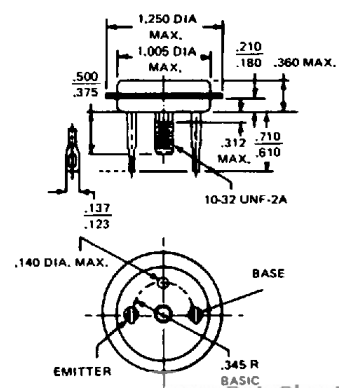
TO-3

MODIFIED TO-3
(60 mil pins)

TO-41



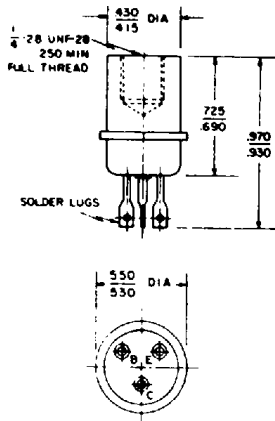
TO-36



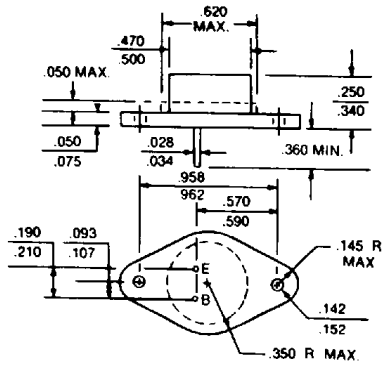
GERMANIUM POWER TRANSISTORS

CASE OUTLINE DRAWINGS & DIMENSIONS

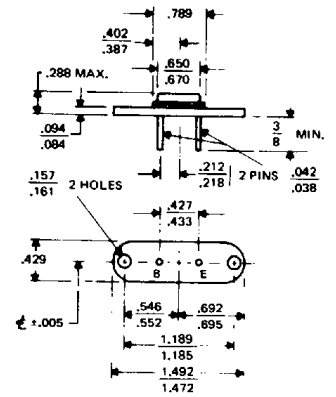
TO-13



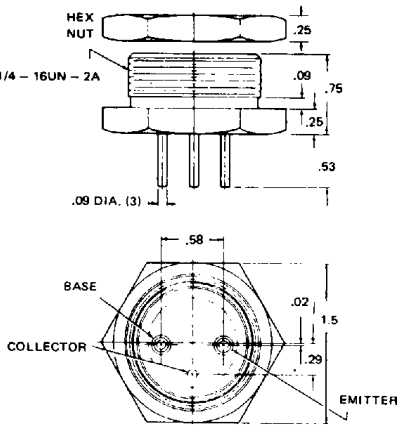
TO-66



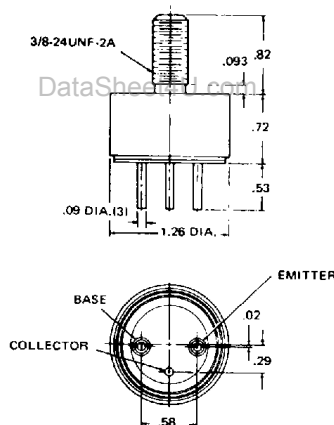
MS-7



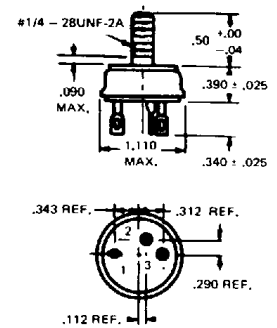
MT-22



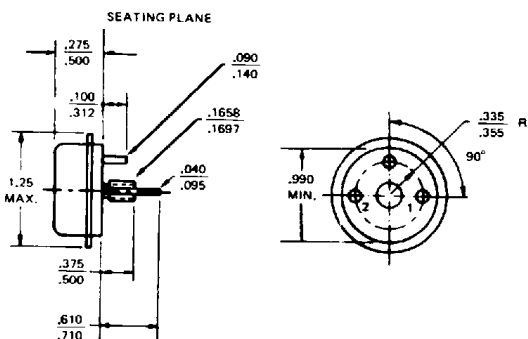
MT-23



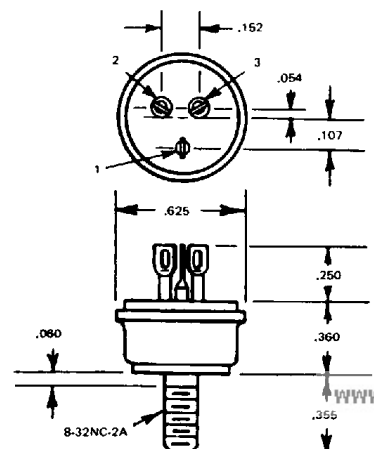
MT-7



TO-68



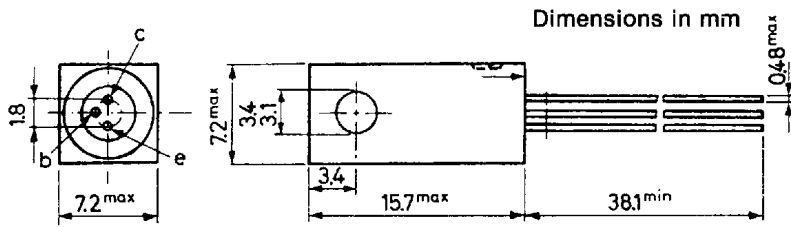
MT-36



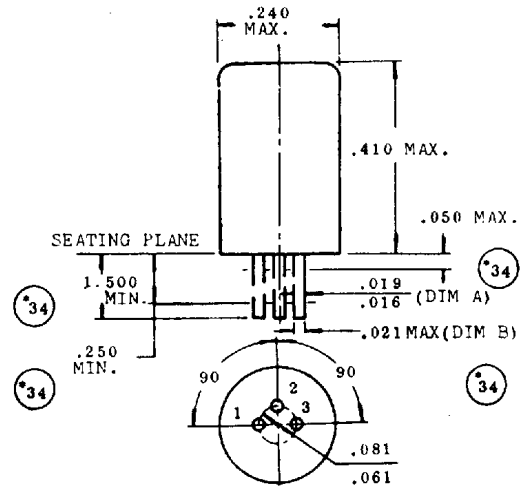
GERMANIUM POWER TRANSISTORS

CASE OUTLINE DRAWINGS & DIMENSIONS

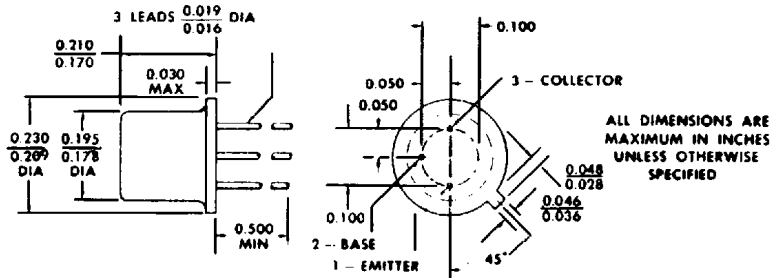
NS257



TO-1



TO-18



THE COLLECTOR IS ELECTRICAL CONTACT WITH THE CASE.

ALL JEDEC TO-18 DIMENSIONS AND NOTES ARE APPLICABLE.