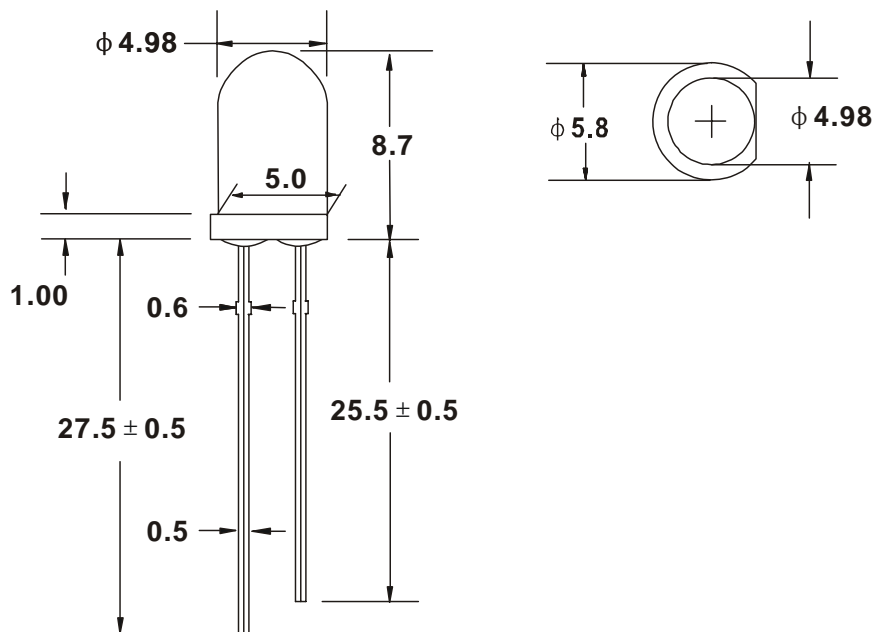


品名: 5W4VC-AXXXX

单位: mm

NOTE:TOLERANCE $\pm 0.5\text{mm}$

Parameter	Symbol	Min.	Typ.	Max.	UNIT	Test Condition
Luminous Intensity	IV	11000			mcd	IF=20mA
Viewing Angle	2θ 1/2		15	80	Deg	
Peak Emission Wavelength	λP		B/Y		nm	IF=20mA
Spectral Line Half-Width	$\Delta\lambda$		30		nm	IF=20mA
Forward Voltage	VF	3.0	3.3	3.8	V	IF=20mA
Reverse Current	IR			10	μA	VR=5V

■ ABSOLUTE MAXIMUM RATINGS: ($T_a = 25^\circ\text{C}$)

■ OPERATING TEMPERATURE: -40°C TO $+80^\circ\text{C}$

■ LEAD SOLDERING: 260°C FOR 5 SECONDS