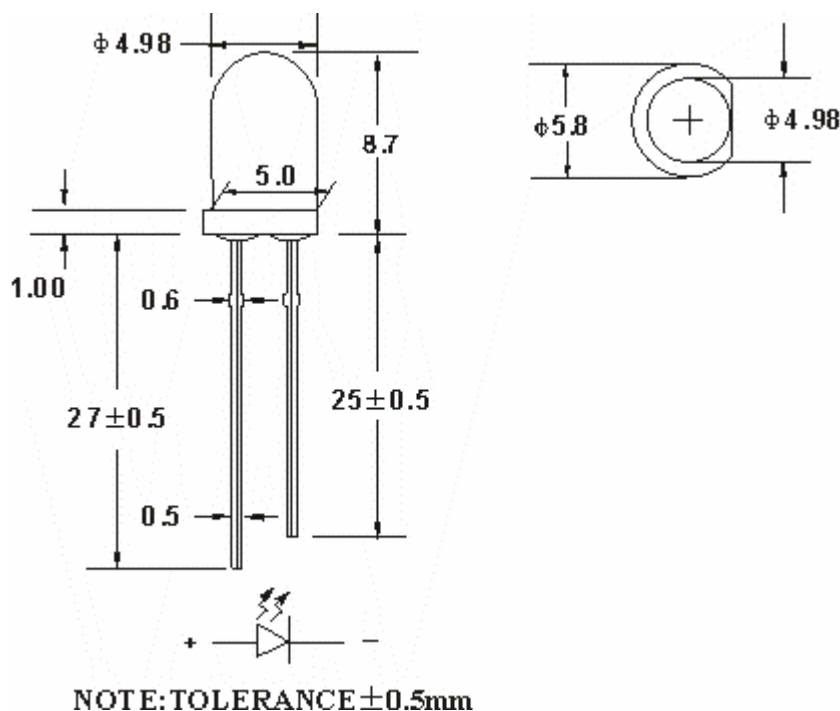


品名: 5W4VC-E40R

单位: mm



Parameter	Symbol	MIN.	TYP.	MAX.	UNIT	TEST CONDITION
Forward Voltage	VF	3.0		4.0	V	IF=20mA
Recommend Forward Current	IF (Rec)		20		mA	
Reverse Current	IR			10	$\mu\text{A}$	VR=5V
Luminous Intensity	IV	5500		7500	mcd	IF=20mA
Peak Wavelength	$\lambda_p$		B/Y		nm	
Peak Forward Current	If(Peak)			200	mA	
Power dissipation	Pd			150	mW	
View Angle	2 $\theta$ 1/2	30	40	45	deg	

■ ABSOLUTE MAXIMUM RATINGS: (Ta=25°C)

■ OPERATING TEMPERATURE: -40°C TO +80°C

■ LEAD SOLDERING: 260°C FOR 5 SECONDS