

### PRELIMINARY SPEC



**ATTENTION**  
OBSERVE PRECAUTIONS  
FOR HANDLING  
ELECTROSTATIC  
DISCHARGE  
SENSITIVE  
DEVICES

Part Number: AAAF3528PBGSEJVGAW

BLUE  
HYPER ORANGE  
GREEN

### Features

- OUTSTANDING MATERIAL EFFICIENCY.
- LOW POWER CONSUMPTION.
- ONE BLUE, ONE ORANGE AND ONE GREEN CHIPS IN ONE PACKAGE.
- CAN PRODUCE ANY COLOR IN VISIBLE SPECTRUM, INCLUDING WHITE LIGHT.
- SUITABLE FOR ALL SMT ASSEMBLY AND SOLDER PROCESS.
- AVAILABLE ON TAPE AND REEL.
- MOISTURE SENSITIVITY LEVEL : LEVEL 4.
- RoHS COMPLIANT.

### Description

The Blue source color devices are made with InGaN on SiC Light Emitting Diode.

The Super Bright device is based on a light emitting diode chip made from AlGaInP and bonded on silicon substrate.

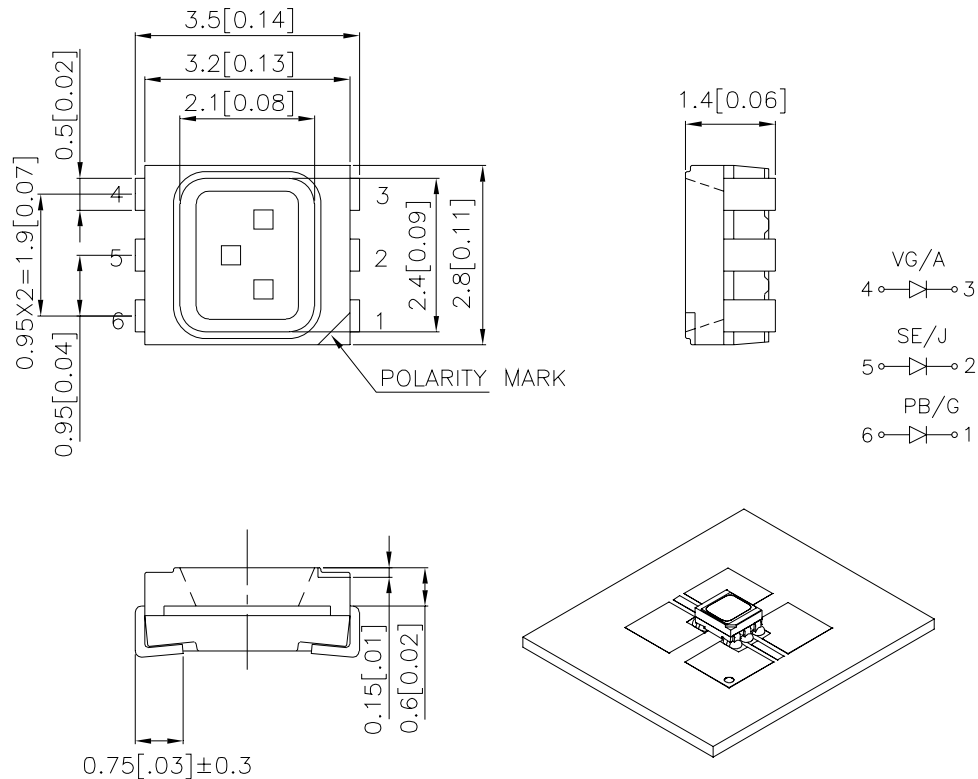
The Green source color devices are made with InGaN on G-SiC Light Emitting Diode.

Static electricity and surge damage the LEDs.

It is recommended to use a wrist band or anti-electrostatic glove when handling the LEDs.

All devices, equipment and machinery must be electrically grounded.

### Package Dimensions



#### Notes:

1. All dimensions are in millimeters (inches).
2. Tolerance is  $\pm 0.2(0.008")$  unless otherwise noted.
3. Specifications are subject to change without notice.
4. The device has a single mounting surface. The device must be mounted according to the specifications.

## Selection Guide

Part No.	Dice	Lens Type	Iv (mcd) [2] @ 20mA		Viewing Angle [1]
			Min.	Typ.	2θ1/2
AAAF3528PBGSEJVGAW	BLUE (InGaN)	WHITE DIFFUSED	70	200	120°
	HYPER ORANGE (AlGaInP)		900	1700	
	GREEN (InGaN)		110	330	

Notes:

1. θ1/2 is the angle from optical centerline where the luminous intensity is 1/2 the optical centerline value.
2. Luminous intensity / luminous Flux: +/-15%.

## Electrical / Optical Characteristics at TA=25°C

Symbol	Parameter	Device	Typ.	Max.	Units	Test Conditions
$\lambda_{peak}$	Peak Wavelength	Blue Hyper Orange Green	468 640 520		nm	IF=20mA
$\lambda_D$ [1]	Dominant Wavelength	Blue Hyper Orange Green	470 630 525		nm	IF=20mA
$\Delta\lambda_{1/2}$	Spectral Line Half-width	Blue Hyper Orange Green	26 25 35		nm	IF=20mA
C	Capacitance	Blue Hyper Orange Green	110 27 100		pF	VF=0V;f=1MHz
VF [2]	Forward Voltage	Blue Hyper Orange Green	3.6 2.0 3.2	4.3 2.8 4.0	V	IF=20mA
IR	Reverse Current	Blue Hyper Orange Green		10 10 10	uA	VR = 5V

Notes:

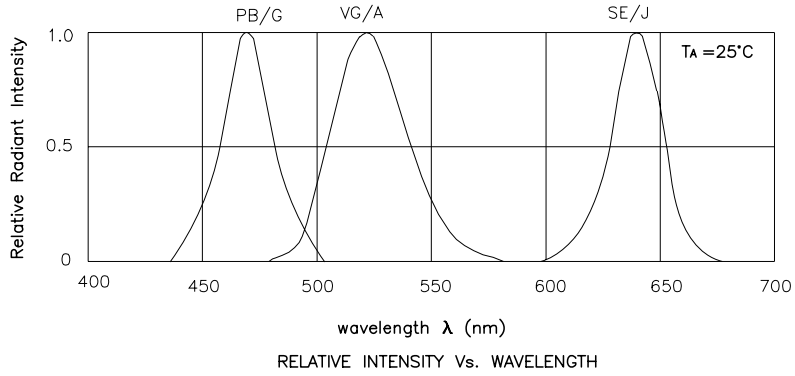
1. Wavelength: +/-1nm.
2. Forward Voltage: +/-0.1V.

## Absolute Maximum Ratings at TA=25°C

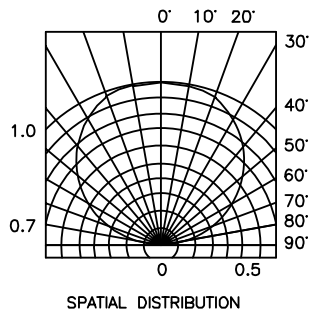
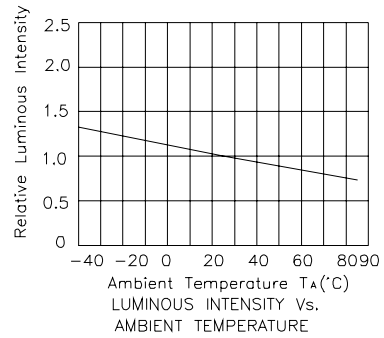
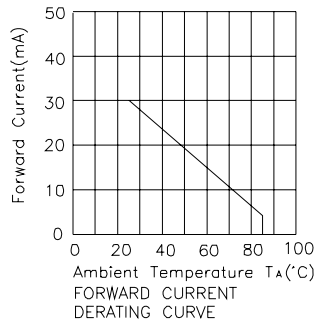
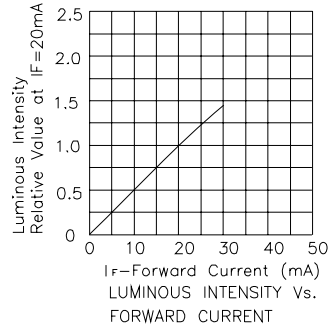
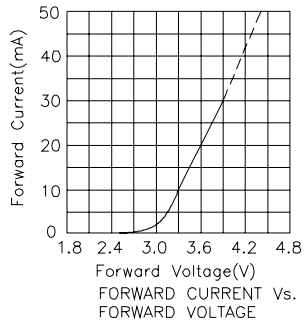
Parameter	Blue	Hyper Orange	Green	Units
Power dissipation	129	140	200	mW
DC Forward Current	30	50	50	mA
Peak Forward Current [1]	150	150	100	mA
Reverse Voltage	5			V
Operating / Storage Temperature	-40°C To +85°C			

Note:

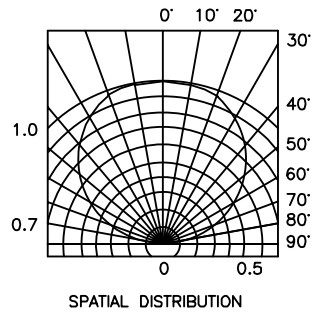
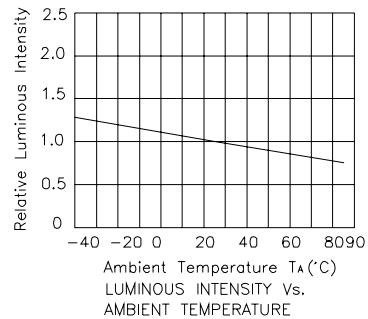
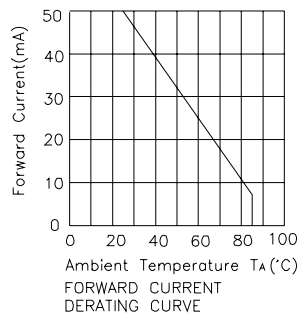
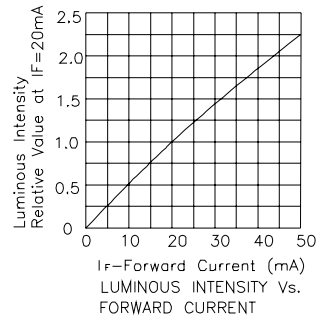
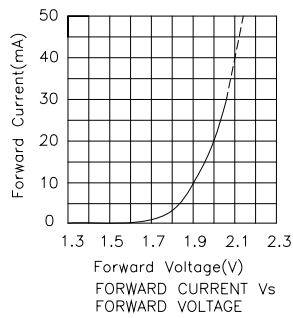
1. 1/10 Duty Cycle, 0.1ms Pulse Width.



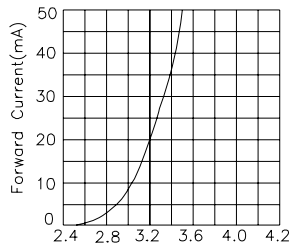
## AAAF3528PBGSEJVGAW Blue



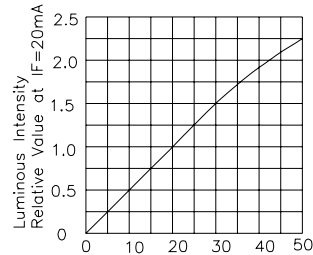
## Hyper Orange



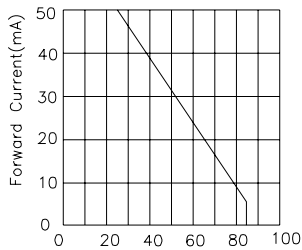
## Green



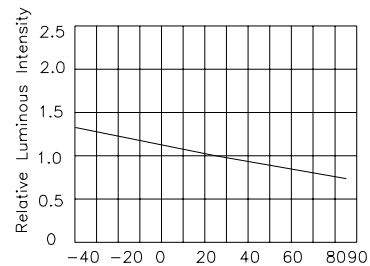
Forward Voltage(V)  
FORWARD CURRENT Vs  
FORWARD VOLTAGE



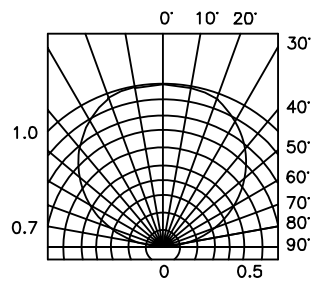
If-Forward Current (mA)  
LUMINOUS INTENSITY Vs.  
FORWARD CURRENT



Ambient Temperature  $T_a$  (°C)  
FORWARD CURRENT  
DERATING CURVE



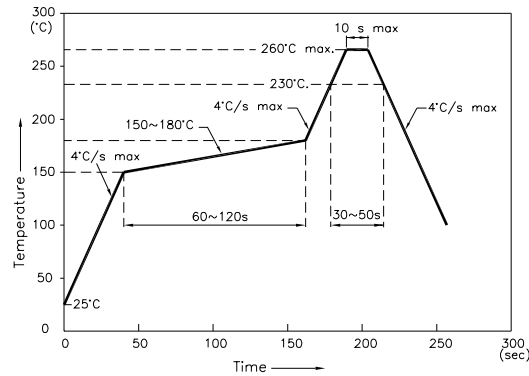
Ambient Temperature  $T_a$  (°C)  
LUMINOUS INTENSITY Vs.  
AMBIENT TEMPERATURE



SPATIAL DISTRIBUTION

## AAAF3528PBGSEJVGAW

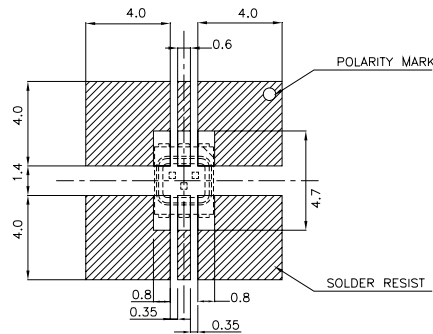
Reflow Soldering Profile For Lead-free SMT Process.



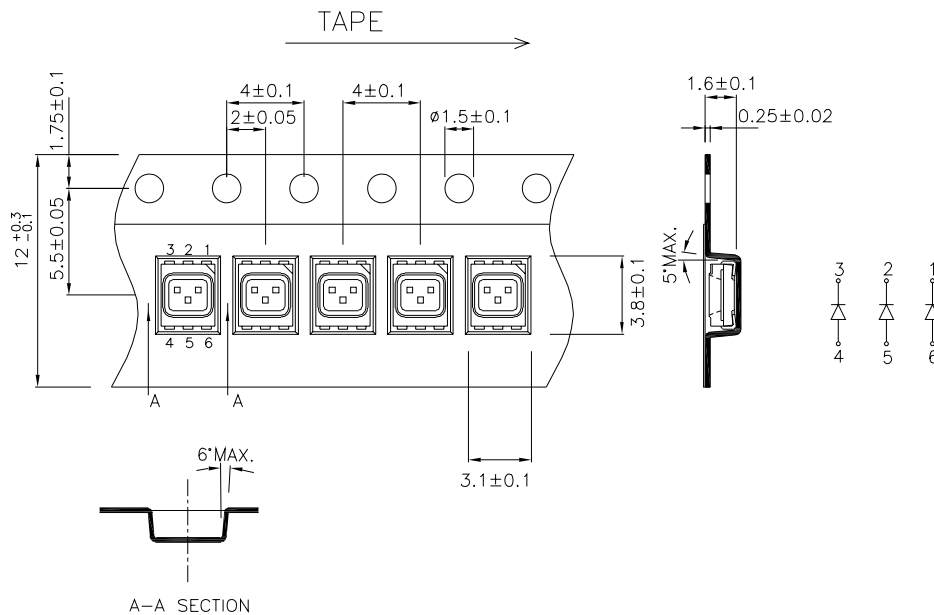
**NOTES:**

1. We recommend the reflow temperature 245°C(+/-5°C). The maximum soldering temperature should be limited to 260°C.
2. Don't cause stress to the epoxy resin while it is exposed to high temperature.
3. Number of reflow process shall be 2 times or less.

### Recommended Soldering Pattern (Units : mm; Tolerance: ±0.1)

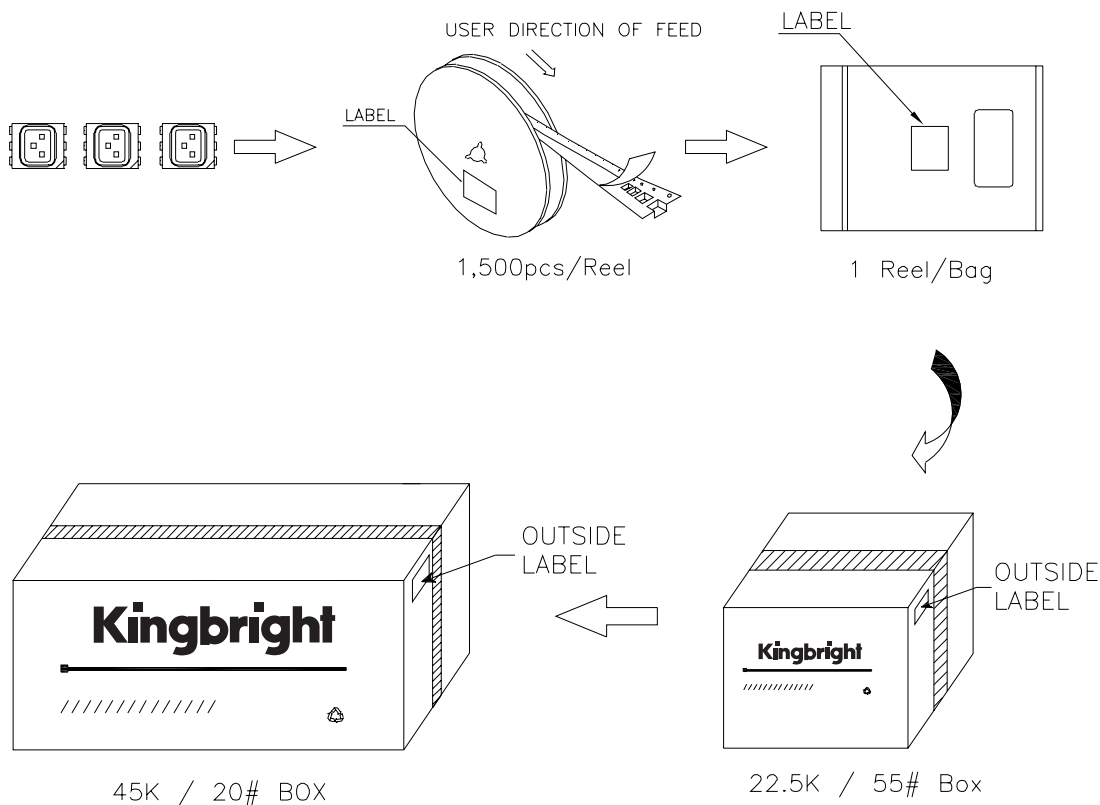



### Tape Specifications (Units : mm)



## PACKING & LABEL SPECIFICATIONS

AAAF3528PBGSEJVGAW



<b>Kingbright</b>	
P/N : AAAF3528xxx	
QTY: 1,500 pcs	Q.C. <span style="border: 1px solid black; border-radius: 50%; padding: 2px;">Q C xx xx xxxx PASSED</span>
S/N: XXXX	
CODE: XXX	
LOT NO:	
	
MADE IN CHINA	RoHS Compliant