

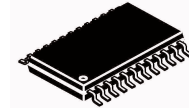


Technical Data

MC44BC373/374
Rev. 3.5, 7/2003

MC44BC373/374
Multi-Standard or PAL/
NTSC Modulator with
integrated antenna
booster/splitter ICs

MC44BC373/374



TSSOP 24 Package

Ordering Information

| Device | Temp Range | Package |
|---|----------------|---------|
| MC44BC373DTB,R2 MC44BC374DTB,R2 | -10°C to +80°C | TSSOP24 |
| NOTE: For tape and reel, add R2 suffix. | | |

Contents

- 1 Features 2
- 2 Device Overview 3
- 3 Maximum Ratings 5
- 4 Electrostatic Discharge 5
- 5 Electrical Characteristics 5
- 6 I²C Bit Mapping 6
- 7 I²C Programming 7
- 8 Modulator High Frequency Characteristics 9
- 9 Video Characteristics . 10
- 10 Audio Characteristics . 11
- 11 Antenna Booster/Splitter Characteristics 12
- 12 Modulator Operation . 14
- 13 High-Speed I²C Compatible Bus 18
- 14 Application and Case Diagrams 21

These modulator ICs are for use in VCRs, games, set-top boxes, and similar devices.

Figure 1 shows the pin connections.

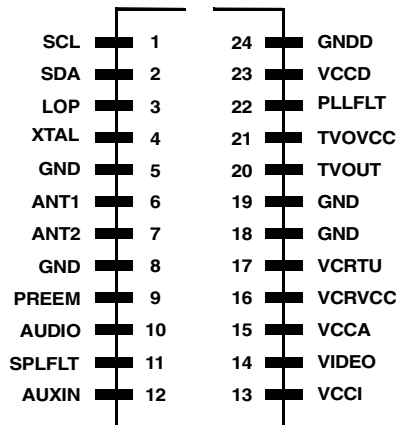


Figure 1. MC44BC373/374 Pin Connections

This document contains information on a product under development. Motorola reserves the right to change or discontinue this product without notice. © Motorola, Inc., 2003. All rights reserved.

1 Features

MC44BC373: Multi-Standard PAL/SECAM/NTSC with integrated booster splitter

MC44BC374: PAL/NTSC with integrated booster splitter

The channel is set by an on-chip high-speed I²C compatible bus receiver. A Phase-Locked Loop (PLL) tunes the modulator over the full UHF range. The modulator incorporates a sound subcarrier oscillator and uses a second PLL to derive 4.5, 5.5, 6.0, and 6.5 MHz subcarrier frequencies. These frequencies are selected using the bus.

The picture-to-sound ratio is adjusted using the bus. In addition, an on-chip video test pattern generator can be switched ON using a 1 kHz audio test signal.

Along with the modulator functions, an Antenna Booster/Splitter function is included.

These modulator versions are completely pin-to-pin and software compatible and all versions have the following features.

- No external varicaps diodes/inductors or tuned components
- Channel 21–69 UHF operation
- VHF range possible by internal dividers (30MHz to 450MHz)
- Integrated on-chip programmable UHF oscillator
- Extremely low external component count
- High-speed read and write I²C-bus compatible (800kHz)
- Fixed video modulation depth (80% in PAL and 90% in SECAM)
- Peak White Clip disabled using the bus
- Programmable picture/sound carrier ratio (12dB and 16dB)
- Integrated on-chip programmable sound subcarrier oscillator (4.5MHz to 6.5MHz)—No external varicaps
- On-chip video test pattern generator with sound test signal (1kHz)
- Low-power programmable modulator standby mode (booster active)
- Transient output inhibit during PLL Lock-up at Power-ON
- Logical Output Port controlled by bus
- Integrated Antenna Booster/Splitter (40MHz to 860MHz)
- Custom masked versions with unique start-up settings possible (no I²C bus programming required)
- Extremely robust ESD protection, minimum 4kV, typical 6kV

2 Device Overview

Figure 2 shows a simplified block diagram of the MC44BC373/4 device.

The MC44BC373/374 device contains four main sections:

1. A high-speed I²C-compatible bus section.
2. A PLL section — Synthesizes the UHF/VHF output channel frequency (from an integrated UHF oscillator, divided for VHF output).
3. A modulator section — Accepts audio and video inputs and then uses those inputs to modulate the UHF/VHF carrier.
4. An Antenna Booster/Splitter — Amplifies and splits the antenna signal into two signals:
 - a) The modulated signal is added to the amplified antenna signal on the TVOUT pin.
 - a)

The following items are programmable using the high-speed I²C compatible bus:

- Channel frequency
- Sound frequency
- Sound/picture carrier ratio

An on-chip video test pattern generator with an audio test signal is included.

The MC44BC373 operates as a multi-standard modulator and can handle the following systems using the same external circuit components:

- B/G
- I
- D/K
- H
- L
- M/N

The high frequency BiCMOS technology permits integration of the following functions:

- Antenna Booster/Splitter
- UHF tank circuit and certain filtering

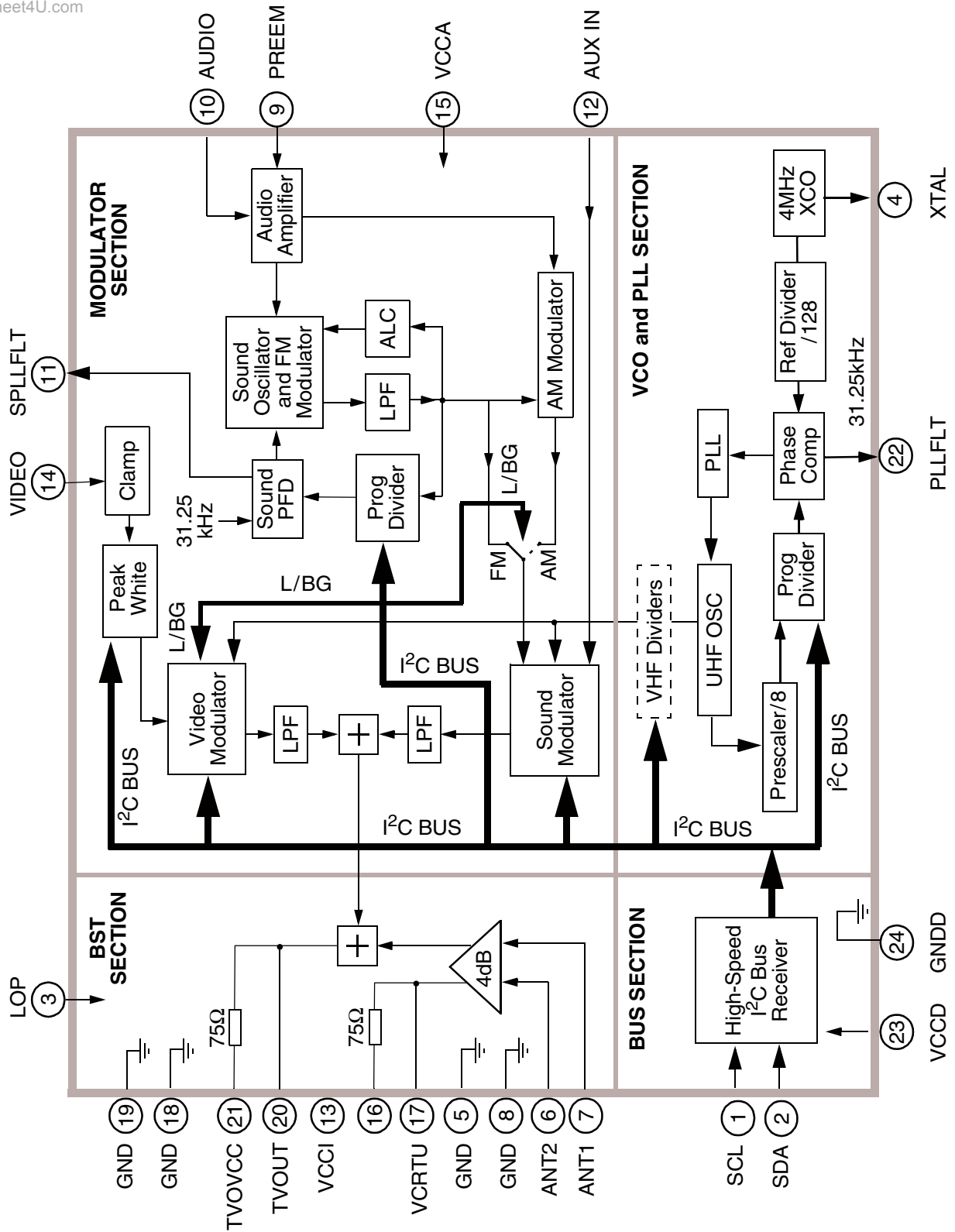


Figure 2. Simplified Block Diagram—MC44BC373/374

3 Maximum Ratings

| Sym | Parameter | Value | Unit |
|---------|---------------------------------------|-------|------|
| Vcc1 | Supply Voltage | 6 | V |
| Tamin | Minimum Operating Ambient Temperature | -10 | °C |
| Tamax | Maximum Operating Ambient Temperature | 75 | °C |
| Tstgmin | Minimum Storage Temperature | -65 | °C |
| Tstgmax | Maximum Storage Temperature | 150 | °C |

This device contains protection circuitry to guard against damage due to high static voltage or electric fields. However, precautions must be taken to avoid applications of any voltage higher than maximum rated voltages to this high impedance circuit. For proper operation, input and output voltages should be constrained to the ranges indicated in the Recommended Operating Conditions.

Maximum ratings are those values beyond which damage to the device may occur. For functional operation, voltage should be restricted to the Recommended Operating Condition.

4 Electrostatic Discharge

| Sym | Parameter | Min | Typ | Unit |
|-----|--|------|------|------|
| ESD | HBM (Human Body Model)—MIL-STD-883C, Method 3015-7 | 4000 | 6000 | V |

5 Electrical Characteristics

- A = 100% Tested
- B = 100% Correlation tested
- C = Characterized on samples
- D = Design parameter

5.1 Specification Conditions

Unless otherwise stated: $V_{cc}=5.0V$, Ambient Temperature= $25^{\circ}C$, Video Input $1V_{p-p}$, 10-step grayscale. RF inputs/outputs into 75 Ohm load. SPECIFICATIONS ONLY VALID FOR ENVELOPE DEMODULATION.

| Parameter | Min | Typ | Max | Unit | Notes | Type |
|--|-----|-----|-----|------------|--------------------------------------|------|
| Operating supply voltage range | 4.5 | 5.0 | 5.5 | V | | B |
| Total supply current | 65 | 75 | 88 | | All sections active | A |
| Total standby mode supply current | 26 | 34 | 40 | mA | OSC, SO, ATT=1 Bus Section active | A |
| Test pattern sync pulse width | 3 | 4.7 | 6.5 | μS | | B |
| Sound comparator charge pump current | | | | | | |
| During locking | 7 | 10 | 12 | μA | | A |
| When locked | 0.7 | 1 | 1.5 | μA | | A |
| RF comparator charge pump current | 60 | 100 | 150 | μA | | A |
| Crystal oscillator stability-negative resistance | 1 | — | — | K Ω | | D |
| Logic Output Port | | | | | | |
| Saturation voltage at $I=2mA$ | — | 160 | 300 | mV | | A |
| Leakage current | — | — | 1 | μA | | A |

www.DataSheet4U.com 6 I²C Bit Mapping

| WRITE MODE | Bit 7 | Bit 6 | Bit 5 | Bit 4 | Bit 3 | Bit 2 | Bit 1 | Bit 0 | ACK |
|--------------------|-------|-------|-------|-------|-------|-------|-------|-------|-----|
| CA-CHIP ADDRESS | 1 | 1 | 0 | 0 | 1 | 0 | 1 | 0 | ACK |
| C1-High Order Bits | 1 | AUX | SO | LOP | PS | X3 | X2 | SYSL | ACK |
| C0-Low Order Bits | PWC | OSC | ATT | SFD1 | SFD0 | TB1 | X5 | X4 | ACK |
| FM-High Order Bits | 0 | TPEN | N11 | N10 | N9 | N8 | N7 | N6 | ACK |
| FL-Low Order Bits | N5 | N4 | N3 | N2 | N1 | N0 | X1 | X0 | ACK |
| READ MODE | Bit 7 | Bit 6 | Bit 5 | Bit 4 | Bit 3 | Bit 2 | Bit 1 | Bit 0 | ACK |
| CHIP ADDRESS | 1 | 1 | 0 | 0 | 1 | 0 | 1 | 1 | ACK |
| R-Status Byte | — | — | — | — | — | Y2 | Y1 | OOR | — |

| Bit Name | Description |
|----------|---|
| PWC | Peak White Clip enable/disable. |
| OSC | UHF oscillator ON/OFF. |
| ATT | Modulator output attenuated-sound and video modulators ON/OFF. |
| SFD0, 1 | Sound subcarrier frequency control bits. |
| TB1 | Test mode bit—bus format compatible with MC44353. |
| AUX | Auxiliary sound input enable/disable. |
| SO | Sound Oscillator ON/OFF. |
| LOP | Logic Output Port. |
| PS | Picture-to-Sound carrier ratio. |
| SYSL | System L enable—selects AM sound and positive video modulation (MC44BC373/ only). |
| TPEN | Test pattern enable—picture and sound. |
| X5...X0 | Test mode bits—All bits are 0 for normal operation (see Test Mode tables, page 7 & page 8). |
| N0...N11 | UHF frequency programming bits, in steps of 250kHz. |
| OOR | RF oscillator out-of-frequency range information. |
| Y1, Y2 | RF oscillator operating range information. |

7 I²C Programming

Sound

| SFD1 | SFD0 | Sound Subcarrier Freq (MHz) |
|------|------|-----------------------------|
| 0 | 0 | 4.5 |
| 0 | 1 | 5.5 |
| 1 | 0 | 6.0 |
| 1 | 1 | 6.5 |

| PS | Picture-to-Sound Ratio (dB) |
|----|-----------------------------|
| 0 | 12 |
| 1 | 16 |

| SO | Sound Oscillator |
|----|--|
| 0 | Sound oscillator ON (normal mode). |
| 1 | Sound oscillation disabled (oscillator and PLL section bias turned OFF). |

| AUX | Auxiliary Audio Input |
|-----|-----------------------------------|
| 0 | AUX input disabled (normal mode). |
| 1 | AUX input enabled. |

Video

| SYSL | System L and B/G Selection MC44BC373 only |
|------|---|
| 0 | System B/G enabled, System L disabled (FM sound and negative video modulation). |
| 1 | System L enabled, System B/G disabled (AM sound and positive video modulation). |

| PWC | Peak White Clip |
|-----|----------------------------------|
| 0 | Peak White Clip ON (System B/G). |
| 1 | Peak White Clip OFF (System L). |

| TPEN | Test Pattern Signal |
|------|---|
| 0 | Test pattern signal OFF (normal operation). |

WRITE MODE: Test Mode 1 and VHF Range

| X2 | X1 | X0 | State | Description |
|----|----|----|-------|---|
| 0 | 0 | 0 | 1.a | Normal operation. |
| 0 | 0 | 1 | 1.b | RF frequency divided for low frequency testing or VHF range: RF/2 |
| 0 | 1 | 0 | 1.c | RF/4 |
| 0 | 1 | 1 | 1.d | RF/8 |
| 1 | 0 | 0 | 1.e | RF/16 |
| 1 | 0 | 1 | 1.f | DC drive applied to modulators: non-inverted video at TVOUT. |
| 1 | 1 | 0 | 1.g | DC drive applied to modulators: inverted video at TVOUT. |
| 1 | 1 | 1 | 1.h | Transient output inhibit disabled. |

UHF

| OSC | UHF Oscillator |
|-----|--|
| 0 | Normal operation. |
| 1 | UHF oscillator disabled (oscillator and PLL sections bias turned OFF). |

| ATT | Modulator Output Attenuation |
|-----|---|
| 0 | Normal operation. |
| 1 | Modulator output attenuation (sound and video modulators sections bias turned OFF). |

Standby Mode

| OSC | SO | ATT | Combination of 3-bits |
|-----|----|-----|--|
| 1 | 1 | 1 | Modulator standby mode (sound and UHF oscillator, sound and video modulator section bias turned OFF, and I ² C bus section standby mode)—BST is active. |

MC44353/4/5 Compatibility

| TB1 | Description |
|-----|---|
| 0 | Normal mode (fully programmable). |
| 1 | Limited programmability and compatibility with MC44353. |

Logic Output Port

| LOP | Description |
|-----|--------------------------|
| 0 | Pin 3 is low voltage. |
| 1 | Pin 3 is high impedance. |

www.DataSheet4U.com
WRITE MODE: Test Mode 2

| X5 | X4 | X3 | State | Description |
|----|----|----|-------|---|
| 0 | 0 | 0 | 2.a | Normal operation. |
| 0 | 0 | 1 | 2.b | Test pattern generator DC verification (Test pattern DC test mode available). |
| 0 | 1 | 0 | 2.c | Programmable divider test (UHF programmable divider on PLLFILT pin and sound programmable divider on SPLLFIL pin). |
| 0 | 1 | 1 | 2.d | Reference divider test (UHF reference divider on PLLFILT pin). |
| 1 | 0 | 0 | 2.e | UHF phase comparator, upper source on PLLFILT pin. Sound phase comparator 10 μ A upper source on SPLLFIL (only valid during Transient Output Inhibit). |
| 1 | 0 | 1 | 2.f | UHF phase comparator, lower source on PLLFILT pin. Sound phase comparator 10 μ A lower source on SPLLFIL (only valid during Transient Output Inhibit). |
| 1 | 1 | 0 | 2.g | Sound phase comparator 1 μ A upper source on SPLLFIL (not valid during Transient Output Inhibit). |
| 1 | 1 | 1 | 2.h | Sound phase comparator 1 μ A lower source on SPLLFIL (not valid during Transient Output Inhibit). |

READ MODE

| OOB | Description |
|-----|---------------------------------|
| 0 | Normal operation, VCO in range. |
| 1 | VCO out-of-range. |

| Y1 | Description |
|----|--|
| 0 | VCO out-of-range, frequency too low, only valid if OOB=1. |
| 1 | VCO out-of-range, frequency too high, only valid if OOB=1. |

| Y2 | Description |
|----|---------------------|
| 0 | High VCO is active. |
| 1 | Low VCO is active. |

8 Modulator High Frequency Characteristics

Unless otherwise stated: $V_{CC}=5.0V$, Ambient Temperature= $25^{\circ}C$, Video Input $1V_{p-p}$, 10-step grayscale. RF inputs/outputs into 75 Ohm load. SPECIFICATIONS VALID ONLY FOR ENVELOPE DEMODULATION.

| Parameter | Test Conditions | Min | Typ | Max | Unit | Type |
|---|--|----------|----------|--------|-----------|------|
| TVOUT output level | Output signal from modulator section. See Figure 3. | 73 | 74.5 | 77 | $dB\mu V$ | B |
| UHF oscillator frequency | — | 460 | — | 880 | MHz | A |
| VHF range | From UHF oscillator internally divided. | 45 | — | 460 | MHz | B |
| TVOUT output attenuation | During transient output inhibit, or when ATT bit is set to 1. See Figure 3. | 50 | 60 | — | dBc | B |
| Sound subcarrier harmonics (F_p+n*F_s) | Reference picture carrier. | — | -63 | -58 | dBc | C |
| Second harmonic of chroma subcarrier | Using red EBU bar. | -65 | — | — | dBc | C |
| Chroma/Sound intermodulation: $F_p+(F_{snd}-F_{chr})$ | Using red EBU bar. | -65 | — | — | dBc | C |
| F_o (picture carrier) harmonics | 2nd harmonic: CH21 3rd harmonic: CH21 Other channels: See Figure 3. See NOTE 1. | 30 20 | 35 26 | — — | dBc | C |
| Out band (picture carrier) spurious | $1/2*F_o-1/4*F_o-3/2*F_o-3/4*F_o$ From 40MHz to 1GHz. | — | 0 | 10 | $dB\mu V$ | C |
| In band spurious (F_o 5MHz) | No video sound modulation. | — | — | 60 | dBc | C |

NOTE 1: Picture carrier harmonics are highly dependant on printed circuit board layout and decoupling capacitors.

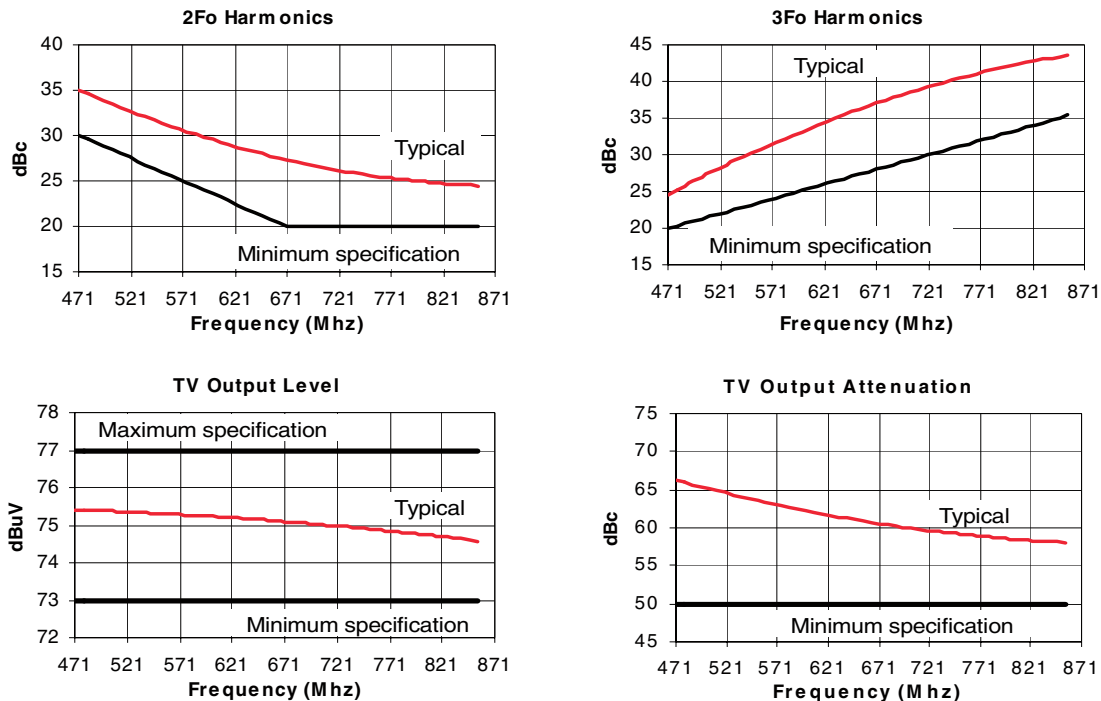


Figure 3. Typical Performance—Modulator High Frequency

www.DataSheet4U.com **9 Video Characteristics**

Unless otherwise stated: $V_{cc}=5.0V$, Ambient Temperature= $25^{\circ}C$, Video Input $1V_{p-p}$, 10-step grayscale. RF inputs/outputs into 75Ohm load. SPECIFICATIONS VALID ONLY FOR ENVELOPE DEMODULATION.

| Parameter | Test Conditions | Min | Typ | Max | Unit | Type |
|------------------------------|--|---------|------|---------|------------|------|
| Video bandwidth | Reference 0dB at 100kHz, measured at 5MHz. | -1.5 | -0.8 | — | dB | C |
| Video input level | 75Ohm load. | — | — | 1.5 | Vcvbs | D |
| Video input current | — | — | 0.2 | 1 | μA | A |
| Video input impedance | — | 500 | — | — | K Ω | A |
| Peak White Clip | PWC bit set to 1, see PWC section. | 110 | 114 | 118 | % | A |
| Video S/N | See Figure 4. | 50 | 53 | — | dB | C |
| Differential Phase | See Figure 4. | -5 | — | 5 | deg | C |
| Differential Gain | On line CCIR 310, worst of first 4 out of 5 steps. See Figure 4. | -5 | — | 5 | % | C |
| Luma/Sync ratio | Input ratio 7.0 : 3.0 | 6.8/3.2 | — | 7.2/2.8 | — | B |
| PAL video modulation depth | — | 75 | 81 | 88 | % | B |
| SECAM video modulation depth | — | 88 | 93 | 99 | % | B |

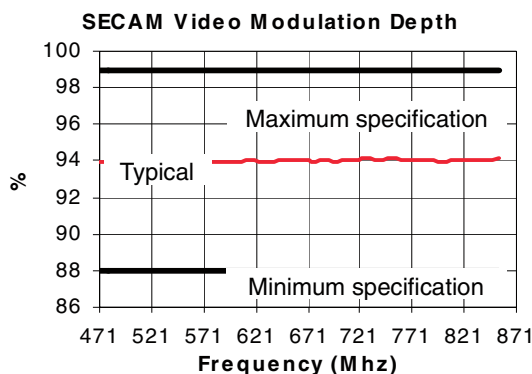
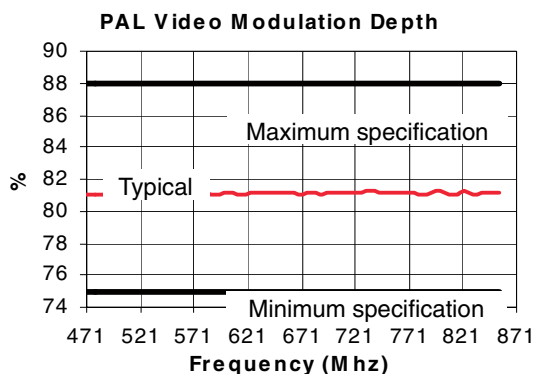
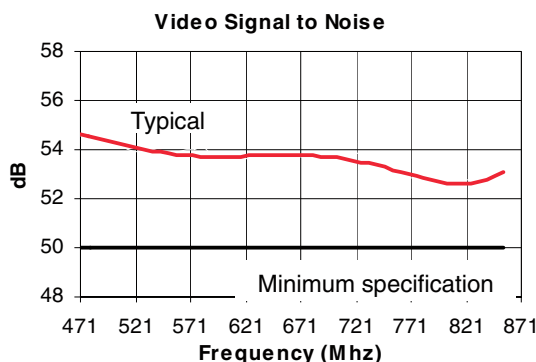


Figure 4. Typical Performance—Video

10 Audio Characteristics

Unless otherwise stated: $V_{cc}=5.0V$, Ambient Temperature= $25^{\circ}C$, Video Input $1V_{p-p}$, 10-step grayscale. RF inputs/outputs into 75 Ohm load. SPECIFICATIONS VALID ONLY FOR ENVELOPE DEMODULATION.

| Parameter | Test Conditions | Min | Typ | Max | Unit | Type |
|--------------------------------|---|---------|----------|----------|-----------|------|
| Picture-to-Sound ratio | PS bit set to 0. PS bit set to 1. | 13 9 | 16 12 | 19 15 | dB | B |
| Audio modulation depth | Using specific pre-emphasis circuit, audio input level= $205mV_{rms}$ —audio frequency= $1kHz$ | | | | | |
| | AM modulation: SECAM $F_s=6.5MHz$ | 65 | 80 | 95 | % | B |
| | FM modulation: $F_s=5.5, 6$ or $6.5MHz$ 100% modulation= $\pm 50kHz$ FM deviation | 65 | 80 | 95 | % | B |
| | FM modulation: NTSC $F_s=4.5MHz$ 100% modulation= $\pm 25kHz$ FM deviation | 65 | 80 | 95 | % | B |
| Audio input resistance | — | 45 | 53 | 61 | $K\Omega$ | A |
| Audio Frequency response | Reference 0dB at 1kHz, using specified pre-emphasis circuit, measure from 50Hz to 15kHz. | -2.5 | — | +2 | dB | C |
| Audio Distortion FM (THD only) | At 1kHz, 100% modulation ($\pm 50kHz$). No video. | — | 0.4 | 2 | % | C |
| Audio Distortion AM (THD only) | At 1kHz, 100% modulation. No video. | — | 1.5 | 2.5 | % | D |
| Audio S/N with Sync Buzz FM | Video input EBU color bar 75%. Weighting filter CCIR 468-2. | 48 | 53 | — | dB | C |
| Audio S/N with Sync Buzz AM | Reference 1kHz, 85% modulation. Video input EBU color bar 75%. Audio BW from 40Hz to 15kHz. Weighting filter CCIR 468-2. | 45 | 50 | — | dB | D |

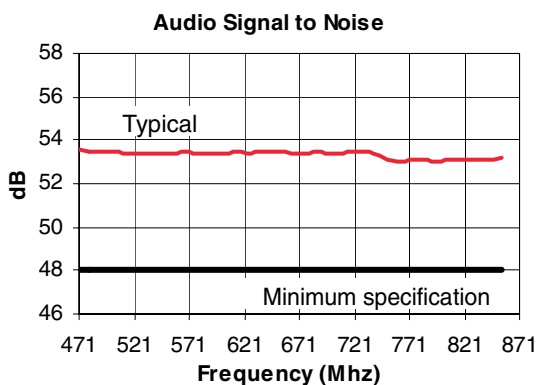


Figure 5. Typical performance—Audio

11 Antenna Booster/Splitter Characteristics

Unless otherwise stated: $V_{CC}=5.0V$, Ambient Temperature= $25^{\circ}C$, RF inputs/outputs into 75 Ohm load. All specifications use a BALUN at ANT1 & 2 inputs, assuming 0.8dB losses MAX from 40MHz to 860MHz.

| Parameter | Test Conditions | Min | Typ | Max | Unit | Type |
|-----------------------|--|------|-----|------|------|------|
| Frequency range | — | 40 | — | 860 | MHz | C |
| Gain | ANT1, 2 to VCRTU. | — | 4 | — | dB | B |
| | ANT1, 2 to TVOUT. | — | 4 | — | dB | B |
| Gain flatness | 40 to 860MHz. | -1.5 | | +1.5 | dB | C |
| Noise figure | ANT1, 2 to VCRTU and TVOUT. Modulator in standby mode. | 5.5 | 7.5 | 9.5 | dB | C |
| Noise figure | ANT1, 2 to VCRTU and TVOUT. Modulator in normal mode (ON). | 6.5 | 8.5 | 10.5 | dB | C |
| VSWR | All pins, BST bias ON. At TVout and VCRTU pins, BST bias OFF. | — | 1.5 | 2.5 | — | B |
| | At TVin pins, BST bias OFF. | — | 2.5 | 3 | — | B |
| Intermodulation (IMD) | Input level=90dBuV. See IMD measurement section. F1+F2 IMD | — | 55 | 47 | dBc | C |
| | 2F1-F2, 2F2+F1, F1-F2 IMD | — | 60 | 50 | dBc | C |
| Isolations | From TVOUT or VCR to ANT1, 2 | 48 | 60 | — | dBc | C |
| | TVOUT/VCRTU | 30 | 45 | — | dBc | C |

11.1 Typical Performance—Gain and Isolation

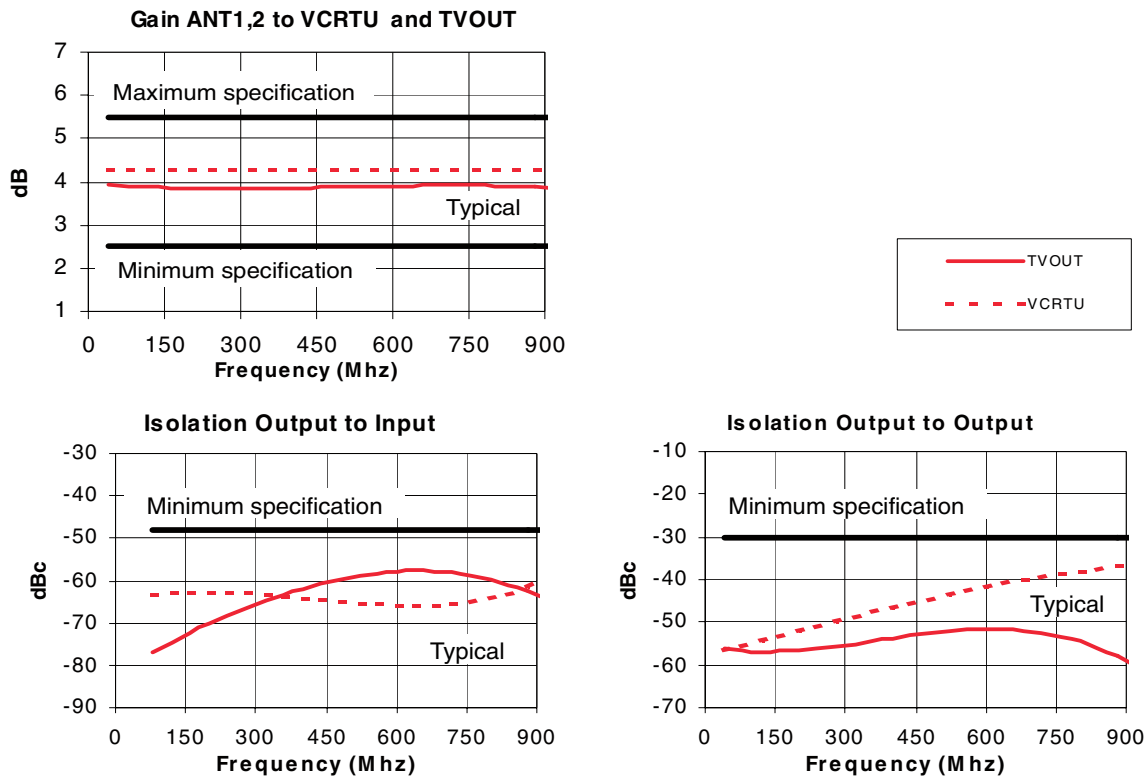


Figure 6. Typical Performance—Gain and Isolation

11.2 Typical Performance—Noise Figure

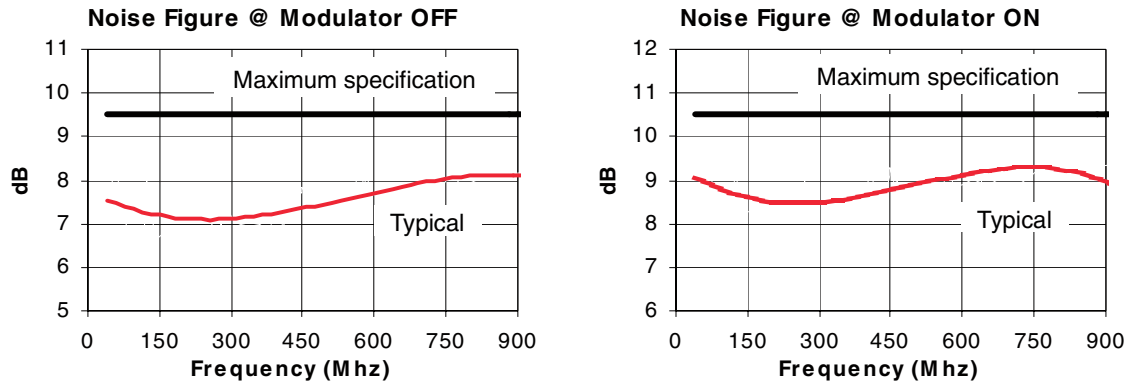


Figure 7. Typical Performance—Noise Figure

11.3 Intermodulation (IMD) Measurement

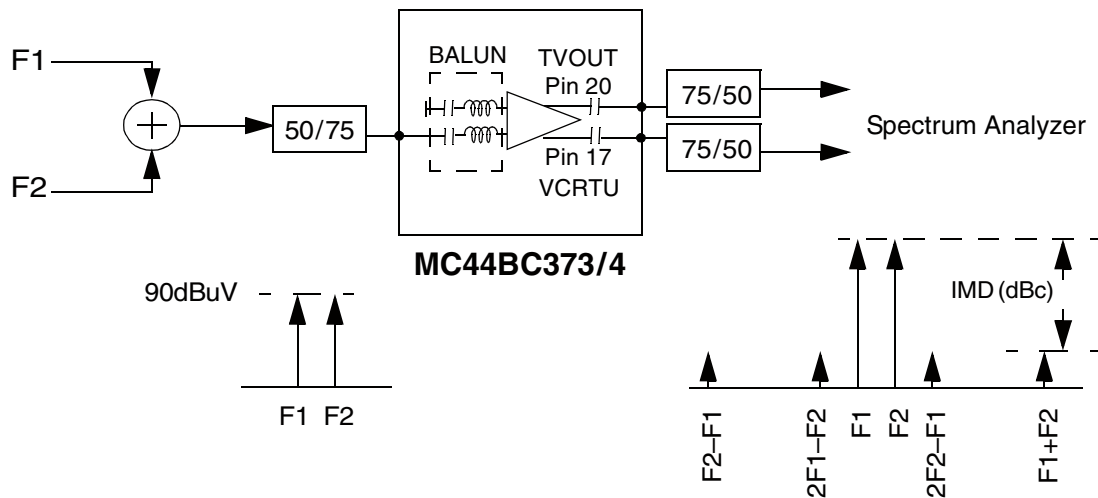


Figure 8. Intermodulation (IMD) Measurement

Intermodulation (IMD) frequencies are all frequency combinations coming from the two input carriers F1 and F2: $F2-F1$, $2*F1-F2$, $2*F2-F1$ and $F1+F2$, fall in the 40MHz–900MHz range.

F1 and F2 input levels are set to 90dBuV at the input of the BALUN. F1 and F2 frequency generator levels (50W internal load) take into account a 50 to 75Ohm load difference (1.8dB), plus losses in the 3dB coupler and the 50 to 75Ohm transformer.

Intermodulation measurement is the difference (in dBc) between the F1 or F2 level at the Output (VCRTU or TVOUT) and the frequency combinations level, for the following cases:

| | | |
|-------------------------|-------------------------|-------------------------|
| F1=50MHz and F2=60MHz | F1=100MHz and F2=110MHz | F1=200MHz and F2=210MHz |
| F1=300MHz and F2=310MHz | F1=400MHz and F2=410MHz | F1=500MHz and F2=510MHz |
| F1=600MHz and F2=610MHz | F1=700MHz and F2=710MHz | F1=800MHz and F2=810MHz |

Intermodulation specification is the IMD measurement's worst case.

12.1 Power-ON Settings

At power-ON, the MC44BC373 and MC44BC374 configuration is as follows:

| WRITE MODE | Bit 7 | Bit 6 | Bit 5 | Bit 4 | Bit 3 | Bit 2 | Bit 1 | Bit 0 | ACK |
|--------------------|-------|-------|-------|-------|-------|-------|-------|-------|-----|
| C1—High Order Bits | 1 | 0 | 0 | 0 | 0 | 0 | 0 | 0 | ACK |
| C0—Low Order Bits | 0 | 0 | 0 | 0 | 1 | 0 | 0 | 0 | ACK |
| FM—High Order Bits | 0 | 0 | N11 | N10 | N9 | N8 | N7 | N6 | ACK |
| FL—Low Order Bits | N5 | N4 | N3 | N2 | N1 | N0 | 0 | 0 | ACK |

Note: 1. N0 to N11 are set to have the UHF oscillator on channel 36 (591.25MHz).

Note: 2. Peak White Clip is ON.

Note: 3. Sound frequency is 5.5MHz.

Note: 4. Sound auxiliary input is disabled.

Note: 5. Logic Output Port is low voltage.

Note: 6. Picture-to-sound ratio is 12dB.

The settings indicated can be customized in the special masked version.

12.2 Power Supply

The five device Vcc pins (13, 15, 16, 21, 23) must be applied at the same time to ensure all internal blocks are correctly biased. All other pins must not be biased before Vcc is applied to the device. The printed circuit board layout of the Vcc supplies must be designed to ensure maximum isolation of the I/P to O/P and also between the two O/Ps.

12.3 Standby Mode

During standby mode, the modulator is switched to low power consumption; the sound oscillator, UHF oscillator, video and sound modulator sections bias are internally turned OFF.

The I²C bus and booster sections remain active.

The modulator can be programmed in standby mode using a combination of three bits:

1. OSC=1
2. SO=1
3. ATT=1

www.DataSheet4U.com **12.4 Test Bit TB1**

This test bit allows an initial evaluation of MC44BC373 and MC44BC374 using software developed for MC443535:

- TB1 = 0 — All MC44BC373/374 functions available—normal mode.
- TB1 = 1 — Limited software compatibility with MC44353; MC44BC373/374 functions not available.

| WRITE MODE ¹ | Bit 7 | Bit 6 | Bit 5 | Bit 4 | Bit 3 | Bit 2 | Bit 1 | Bit 0 | ACK |
|-------------------------|-------|-------|-------|-------|-------|-------|-------|-------|-----|
| CA-CHIP ADDRESS | 1 | 1 | 0 | 0 | 1 | 0 | 1 | 0 | ACK |
| C1-High Order Bits | 1 | — | — | — | PS | — | — | SYSL | ACK |
| C0-Low Order Bits | — | — | — | SFD1 | SFD0 | 1 | 0 | 0 | ACK |
| FM-High Order Bits | 0 | TPEN | N11 | N10 | N9 | N8 | N7 | N6 | ACK |
| FL-Low Order Bits | N5 | N4 | N3 | N2 | N1 | N0 | — | — | ACK |

Note: 1. Case TB1 = 1, compatible with MC44353

Note: 2. All “—” are don't care bits.

Note: 3. PS bit replaces PSD2 bit in MC44353 bus format:

PS = 0 is for picture-to-sound ratio = 12dB,

PS = 1 is for picture-to-sound ratio = 16dB

Note: 4. SFD1 and SFD0 bits have the same definition for both bus formats (MC44353 and MC44BC373/374) and lets a sound frequency between 4.5MHz, 5MHz, 5.5MHz, and 6.5MHz be selected.

Note: 5. SYSL bit has same definition for bus formats MC44353 and MC44BC373/374; either system L or B/G is selectable.

Note: 6. All MC44BC373/374 functions are set to their default values.

12.5 System L or B/G Selection

SYSL bit internally switches the following functions:

- SYSL = 0; enables B/G system
 - Video modulation polarity—Negative
 - Video modulation depth—80% Typical (See Video Characteristics on page 10.)
 - Sound modulation type—FM
- SYSL = 1; enables L system
 - Video modulation polarity—Positive
 - Video modulation depth—90% Typical (See Video Characteristics on page 10.)
 - Sound modulation type—AM

12.6 Transient Output Inhibit

To minimize the risk of interference to other channels while the UHF PLL is acquiring a lock on the desired frequency, the Sound and Video modulators are turned OFF for each of the following two cases:

1. Power-ON from zero (i.e., all Vcc is switched from 0V to 5V).
2. UHF oscillator power-ON from OFF state (i.e., OSC bit is switched from 1 to 0)

There is a time-out of 263 ms until the output is enabled. This allows the UHF PLL settle to its programmed frequency. During the 263 ms time-out, the sound PLL current source is set to 10 μ A typical, to speed up the locking time. After the 263 ms time-out, the current source is switched to 1 μ A.

CAUTION:

Use care when selecting loop filter components, to ensure the loop transient does not exceed the specified delay.

For test purposes, it is possible to disable the 263 ms delay using Test Mode 1–State 1.h.

12.7 Logic Output Port (LOP)

The LOP pin controls any logic function. The primary applications are to control an external attenuator or an external switch between the antenna input and TV output. When an external switch is controlled, the Booster function is not used.

The following figure shows a typical attenuator application with PIN diode. The LOP pin switches the PIN attenuator depending on the signal strength of the Antenna Input, thereby reducing the risks of Intermodulation in certain areas. The LOP may also be used as an OFF position bypass switch or for other logic functions in the application.

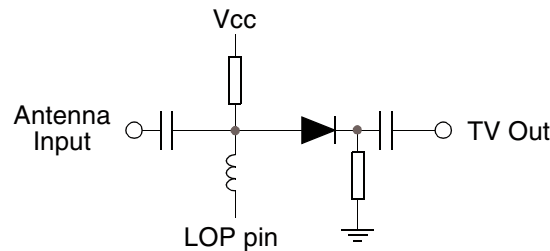


Figure 9. Attenuator Application with PIN Diode

12.8 Video Section—Peak White Clip

The modulator requires the following:

- A composite video input with “negative going” sync pulses
- A nominal level of 1 Vp-p

This signal is AC-coupled to the video input where the sync tip level is clamped. The video signal is then passed to a Peak White Clip (PWC) circuit. The PWC circuit function sets to soft-clip the top of the video waveform, if the “sync tip amplitude” to “peak white clip” goes too high. This method avoids carrier over-modulation by the video. Clipping can be disabled by software.

12.9 Sound Section

The multivibrator oscillator is fully integrated and does not require external components. An internal low pass filter and matched structure provide a very low harmonics level.

The sound modulator system consists of an FM modulator incorporating the sound subcarrier oscillator, and an AM modulator. The audio input signal is AC coupled into the amplifier which then drives the two types of modulators.

The audio pre-emphasis circuit is a high-pass filter with an external capacitor and an internal resistor (100kOhms). The recommended capacitor value (470pF) is for BG standard. (50 μ S time constant.)

The auxiliary audio input adds a sound subcarrier to the main carrier. The input can be a modulated NICAM carrier or a second sound subcarrier for a stereo system. Pin 12 is directly connected to the sound modulator input and the picture-to-sound ratio (P/S Ratio) depends on the auxiliary audio input level. (P/S ratio is 20dB for 35mVrms typical.)

12.10 Test Pattern Generator

A simple test pattern is generated on the IC which can be switched in under bus control to permit a TV receiver to easily tune in to the modulator output. The pattern consists of two white vertical bars on a black background and a 976Hz audio test signal.

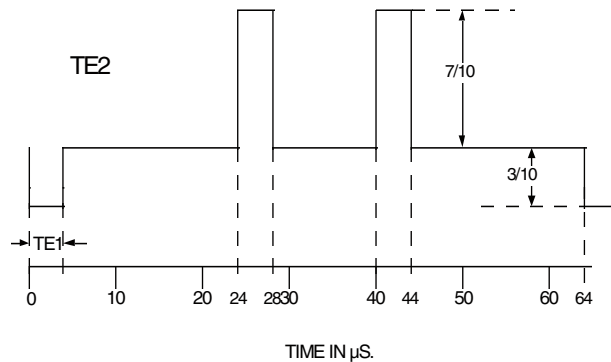


Figure 10. Test Pattern Generator—(Time in Seconds)

12.11 PLL Section

The reference divider is a fixed divide-by-128, resulting in a reference frequency of 31.25KHz with a 4.0MHz crystal. The 31.25KHz reference frequency is used for both UHF and Sound PLLs.

The prescaler is a fixed divide by 8 and is permanently engaged.

The programmable divider's division ratio is controlled by the state of control bits N0 to N11. The divider ratio N for a desired frequency F (in MHz) is provided by the following formulas:

$$N = \frac{F}{8} \times \frac{128}{4}$$

with:

$$N = 2048 \times N11 + 1024 \times N10 + \dots + 4 \times N2 + 2 \times N1 + N0$$

12.12 UHF Oscillator—VHF Range

The UHF oscillator is fully integrated and does not require any external components. For low frequency testing or VHF range operation (test mode 1, states 1.b to 1.c), the UHF oscillator can be internally divided by 2, 4, 8, or 16.

13 High-Speed I²C Compatible Bus

13.1 Specification Conditions

Unless otherwise specified, the Vcc1=5.0V and the ambient temperature (TA) =25°C.

| Electrical Characteristics | Min | Typ | Max | Unit | Type |
|---|-----|-----|---------|------|------|
| SDA/SCL output current at 0V | — | — | 10 | μA | A |
| SDA/SCL low input level | — | — | 1.5 | V | B |
| SDA/SCL high input level | 3.0 | — | — | V | B |
| SDA/SCL input current for input level from 0.4V to 0.3Vcc | -5 | — | 5 | μA | C |
| SDA/SCL input level | 0 | — | Vcc+0,3 | V | D |
| SDA/SCL capacitance | — | — | 10 | pF | C |
| ACK low output level (sinking 3mA) | — | 0,3 | 1 | V | A |
| ACK low output level (sinking 15mA) | — | — | 1.5 | V | C |

| Timing Characteristics | Min | Typ | Max | Unit | Type |
|--|-----|-----|-----|------|------|
| Bus clock frequency | 0 | — | 800 | kHz | C |
| Bus free time between stop and start | 200 | — | — | ns | C |
| Setup time for start condition | 500 | — | — | ns | C |
| Hold time for start condition | 500 | — | — | ns | C |
| Data setup time | 0 | — | — | ns | C |
| Data hold time | 0 | — | — | ns | C |
| Setup time for stop condition | 500 | — | — | ns | C |
| Hold time for stop condition | 500 | — | — | ns | C |
| Acknowledge propagation delay | — | — | 300 | ns | C |
| SDA fall time at 3ma sink I and 130pF load | — | — | 50 | ns | C |
| SDA fall time at 3ma sink I and 400pF load | — | — | 80 | ns | C |
| SDA rise time | — | — | 300 | ns | C |
| SCL fall/rise time | — | — | 300 | ns | C |
| Pulse width of spikes suppressed by the input filter | — | — | 50 | ns | C |

13.2 Timing Definitions

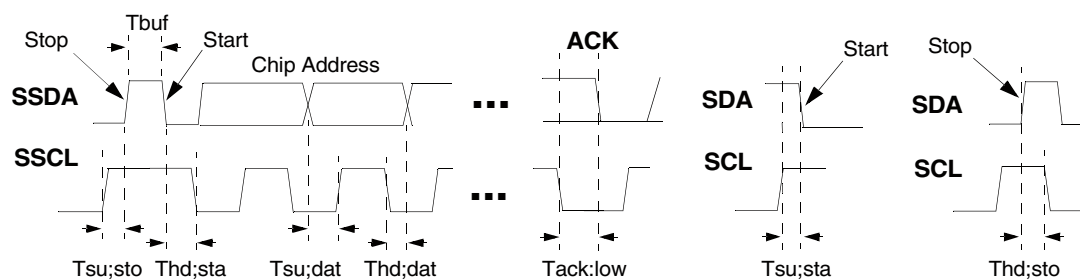


Figure 11. SSDA/SSCL Timing

13.3 Levels Definition

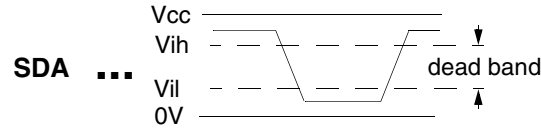


Figure 12. SDA Levels

13.4 High-Speed I²C Compatible Bus Format

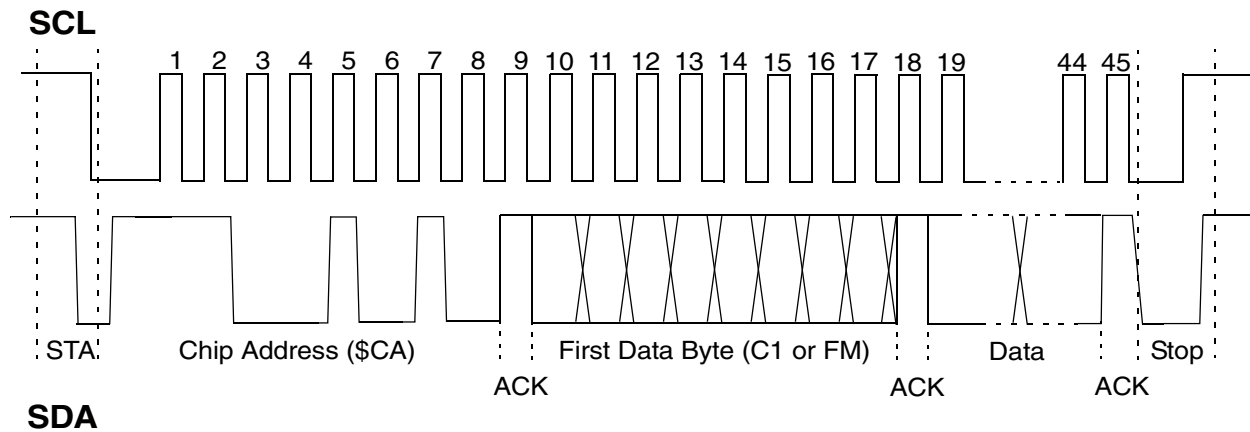


Figure 13. SCL and SDA Bus Timing

13.5 I²C Write Mode Format and Bus Receiver

The bus receiver operates the I²C compatible data format. The chip address (I²C bus) is:

1 1 0 0 1 0 1 0 (ACK) = \$CA (hex) in write mode

In write mode, each ninth data bit (bits 9, 18, 27, 36, and 45) is an acknowledge bit (ACK) during which the MCU sends a logic 1 and the Modulator circuit answers on the data line by pulling it low. Besides the chip address, the circuit needs two or four data bytes for operation. The following data byte sequences are the permitted incoming information:

| | | | | | | | |
|-----------|-----|----|----|----|-----|----|-----|
| Example 1 | STA | CA | C1 | C0 | STO | | |
| Example 2 | STA | CA | FM | FL | STO | | |
| Example 3 | STA | CA | C1 | C0 | FM | FL | STO |
| Example 4 | STA | CA | FM | FL | C1 | C0 | STO |

With:

STA = Start condition

CA = Chip Address

FM = Frequency information, high order bits

FL = Frequency information, low order bits

C1 = Control information, high order bits

CO = Control information, low order bits

STO = Stop condition

After the chip address, two or four data bytes may be received.

- If three (3) data bytes are received, the third one is ignored.
- If five (5) or more data bytes are received, the fifth and following ones are ignored, and the last ACK pulse is sent at the end of the fourth data byte.

The first and third data bytes contain a function bit which lets the IC distinguish between frequency information and control information. If the function bit is a logic 1, the two following bytes contain control information. The first data byte after the chip address may be byte CO or byte FM. The two bytes of frequency information are preceded by a logic 0.

13.6 I²C Read Mode Format

The chip address (I²C) is:

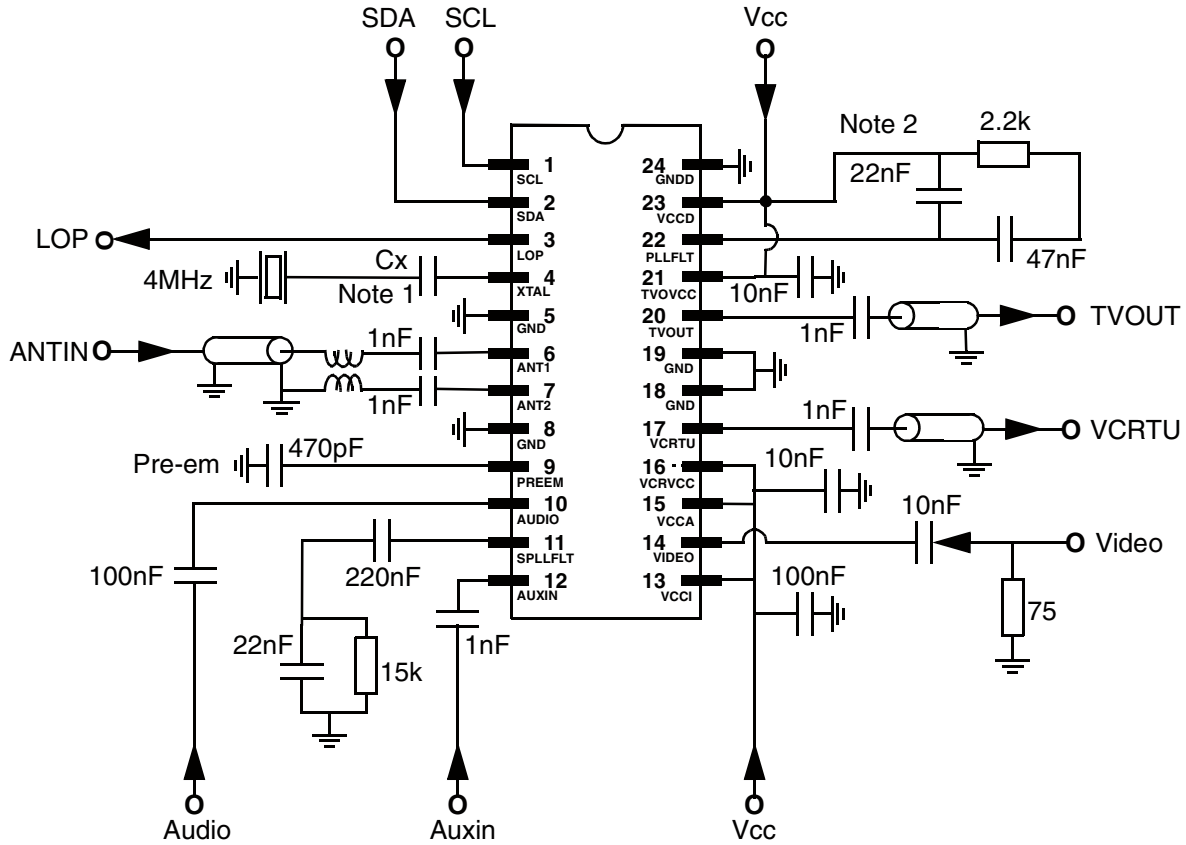
1 1 0 0 1 0 1 1 (ACK) = \$CB (hex) in read mode

The incoming information consists of the read mode chip address byte. The device then answers with an ACK followed by one byte containing three bits of status information. No acknowledge is answered by the modulator after this byte.

14 Application and Case Diagrams

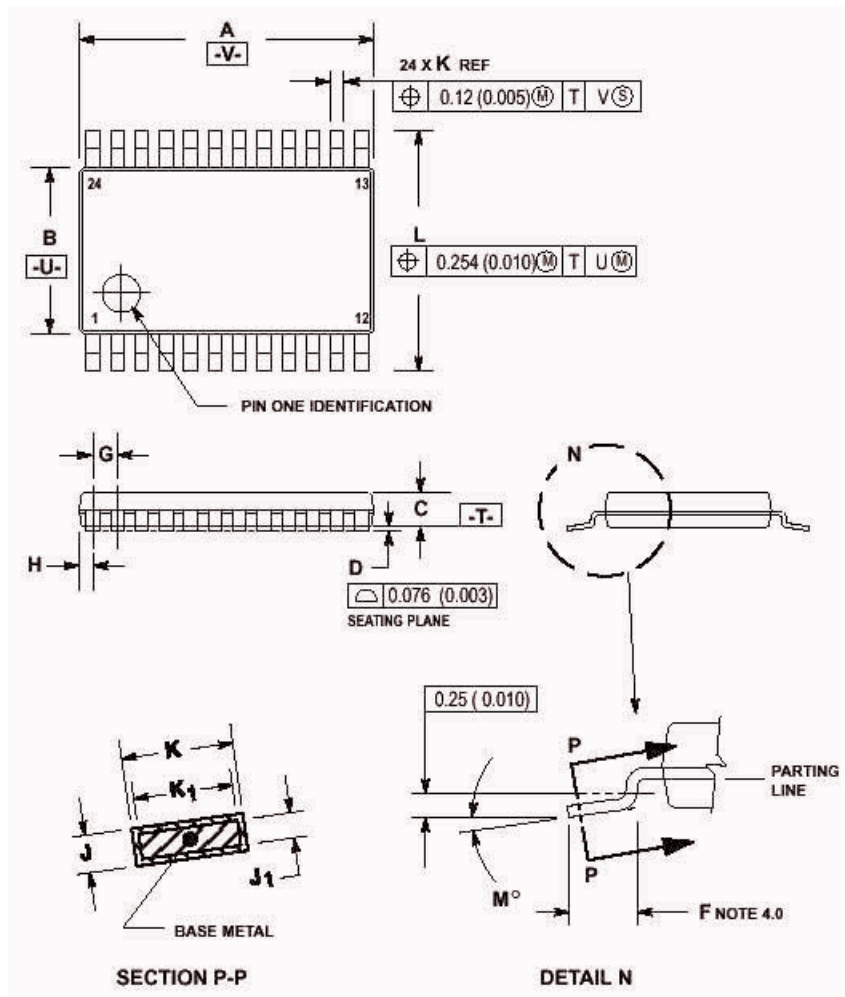
Proposed BiCMOS Modulator and Booster/Splitter Application

This document contains information on a new product under development. Motorola reserves the right to change or discontinue this product without notice.



Note 1: Cx value depends on crystal characteristics; Cx = 27pF on Motorola application board.
 Note 2: Loop filter components must be as close as possible to pins 22 and 23.

Figure 14. Proposed BiCMOS Modulator and Booster/Splitter Application



CASE 940H-02 ISSUE A

| Dim | Millimeters | | Inches | |
|-----|-------------|------|-----------|-------|
| | Min | Max | Min | Max |
| A | 7.70 | 7.90 | 0.303 | 0.311 |
| B | 4.30 | 4.48 | 0.169 | 0.176 |
| C | — | 0.95 | — | 0.037 |
| D | 0.05 | 0.15 | 0.002 | 0.006 |
| F | 0.51 | 0.71 | 0.020 | 0.028 |
| G | 0.65 BSC | | 0.026 BSC | |
| H | 0.27 | 0.37 | 0.011 | 0.015 |
| J | 0.09 | 0.18 | 0.003 | 0.007 |
| J1 | 0.09 | 0.13 | 0.003 | 0.005 |
| K | 0.19 | 0.30 | 0.007 | 0.012 |
| K1 | 0.19 | 0.25 | 0.007 | 0.010 |
| L | 6.25 | 6.50 | 0.246 | 0.256 |
| M | 0° | 8° | 0° | 8° |

- Note:** 1. Dimensioning and Tolerancing per ANSI Y14.5M, 1982.
- Note:** 2. Controlling dimension: Millimeters.
- Note:** 3. Dimensions A and B do not include mold flash or protrusions and are measured at the parting line. Mold flash or protrusions shall not exceed 0.15 (0.006) per side.
- Note:** 4. Dimension is the length of terminal for soldering to a substrate.
- Note:** 5. Terminal positions are shown for reference only.
- Note:** 6. The lead width dimension does not include Dambar protrusion. Allowable Dambar protrusion shall be 0.08 (0.003) total in excess of the lead width dimension at maximum material condition. Dambar can not be located on the lower radius or the foot. Minimum space between protrusions and adjacent lead to be 0.14 (0.006).

Figure 15. TSSOP24 Package

NOTES

Freescale Semiconductor, Inc.

Freescale Semiconductor, Inc.

www.DataSheet4U.com

Freescale Semiconductor, Inc.

HOW TO REACH US:

USA/EUROPE/LOCATIONS NOT LISTED:

Motorola Literature Distribution;
P.O. Box 5405, Denver, Colorado 80217
1-303-675-2140 or 1-800-441-2447

JAPAN:

Motorola Japan Ltd.; SPS, Technical Information Center,
3-20-1, Minami-Azabu Minato-ku, Tokyo 106-8573 Japan
81-3-3440-3569

ASIA/PACIFIC:

Motorola Semiconductors H.K. Ltd.; Silicon Harbour
Centre, 2 Dai King Street, Tai Po Industrial Estate,
Tai Po, N.T., Hong Kong
852-26668334

TECHNICAL INFORMATION CENTER:

1-800-521-6274

HOME PAGE:

<http://www.motorola.com/semiconductors>

Information in this document is provided solely to enable system and software implementers to use Motorola products. There are no express or implied copyright licenses granted hereunder to design or fabricate any integrated circuits or integrated circuits based on the information in this document.

Motorola reserves the right to make changes without further notice to any products herein. Motorola makes no warranty, representation or guarantee regarding the suitability of its products for any particular purpose, nor does Motorola assume any liability arising out of the application or use of any product or circuit, and specifically disclaims any and all liability, including without limitation consequential or incidental damages. "Typical" parameters which may be provided in Motorola data sheets and/or specifications can and do vary in different applications and actual performance may vary over time. All operating parameters, including "Typicals" must be validated for each customer application by customer's technical experts. Motorola does not convey any license under its patent rights nor the rights of others. Motorola products are not designed, intended, or authorized for use as components in systems intended for surgical implant into the body, or other applications intended to support or sustain life, or for any other application in which the failure of the Motorola product could create a situation where personal injury or death may occur. Should Buyer purchase or use Motorola products for any such unintended or unauthorized application, Buyer shall indemnify and hold Motorola and its officers, employees, subsidiaries, affiliates, and distributors harmless against all claims, costs, damages, and expenses, and reasonable attorney fees arising out of, directly or indirectly, any claim of personal injury or death associated with such unintended or unauthorized use, even if such claim alleges that Motorola was negligent regarding the design or manufacture of the part.



Motorola and the Stylized M Logo are registered in the U.S. Patent and Trademark Office. All other product or service names are the property of their respective owners. Motorola, Inc. is an Equal Opportunity/Affirmative Action Employer.

© Motorola, Inc. 2003

MC44BC373/D

**For More Information On This Product,
Go to: www.freescale.com**

www.DataSheet4U.com