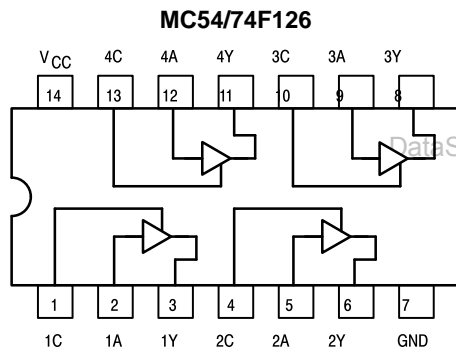
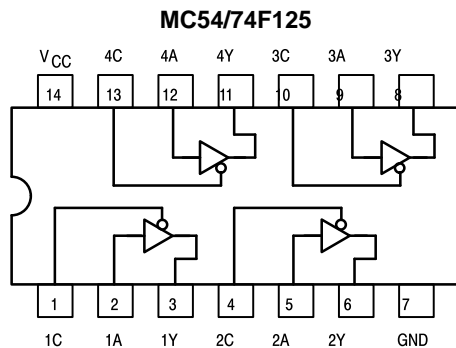




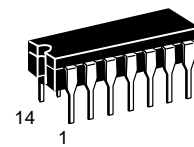
3-STATE QUAD BUFFERS

- High Impedance NPN Base Inputs for Reduced Loading

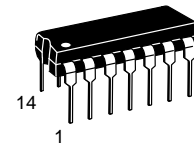


MC54/74F125
MC54/74F126

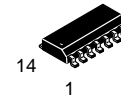
QUAD BUFFERS, 3-STATE
FAST™ SHOTTKY TTL



J SUFFIX
CERAMIC
CASE 632-08



N SUFFIX
PLASTIC
CASE 646-06



D SUFFIX
SOIC
CASE 751A-02

ORDERING INFORMATION

MC54FXXXJ Ceramic
MC74FXXXN Plastic
MC74FXXXD SOIC

GUARANTEED OPERATING RANGES

Symbol	Parameter		Min	Typ	Max	Unit
V_{CC}	Supply Voltage	54, 74	4.5	5.0	5.5	V
T_A	Operating Ambient Temperature Range	54	-55	25	125	°C
		74	0	25	70	
I_{OH}	Output Current — High	54			-12	mA
		74			-15	
I_{OL}	Output Current — Low	54			48	mA
		74			64	

MC54/74F125 • MC54/74F126

Function Table MC54/74F125

Inputs		Output
C	A	Y
L	L	L
L	H	H
H	X	Z

Function Table MC54/74F126

Inputs		Output
C	A	Y
H	L	L
H	H	H
L	X	Z

L = LOW Voltage Level
H = HIGH Voltage Level
X = Don't Care
Z = High Impedance (off)

DC CHARACTERISTICS OVER OPERATING TEMPERATURE RANGE (unless otherwise specified)

Symbol	Parameter	Limits			Unit	Test Conditions	
		Min	Typ	Max			
V _{IH}	Input HIGH Voltage	2.0			V	Guaranteed Input HIGH Voltage	
V _{IL}	Input LOW Voltage			0.8	V	Guaranteed Input LOW Voltage	
V _{IK}	Input Clamp Diode Voltage			-1.2	V	I _{IN} = -18 mA	V _{CC} = MIN
V _{OH}	Output HIGH Voltage	54,74	2.4	3.4	V	I _{OH} = -3.0 mA	V _{CC} = 4.50 V
		74	2.7	3.4	V	I _{OH} = -3.0 mA	V _{CC} = 4.75 V
		54	2.0		V	I _{OH} = -12 mA	V _{CC} = 4.50 V
		74	2.0		V	I _{OH} = -15 mA	
V _{OL}	Output LOW Voltage	54		0.55	V	I _{OL} = 48 mA	V _{CC} = MAX
		74		0.55	V	I _{OL} = 64 mA	
I _{OZH}	Output Off Current HIGH			50	μA	V _{OUT} = 2.7 V	V _{CC} = MAX
I _{OZL}	Output Off Current LOW			50	μA	V _{OUT} = 0.5 V	V _{CC} = MAX
I _{IH}	Input HIGH Current			20	μA	V _{IN} = 2.7 V	V _{CC} = MAX
				100		V _{IN} = 7.0 V	V _{CC} = 0 V
I _{IL}	Input LOW Current			-20	μA	V _{IN} = 0.5 V	V _{CC} = MAX
I _{OS}	Output Short Circuit Current Note 2	-100		-225	mA	V _{OUT} = GND	V _{CC} = MAX
I _{CC}	F125	I _{CC} H		24	mA	V _{CC} = MAX	
		I _{CC} L		40			
		I _{CC} Z		35			
	F126	I _{CC} H		30			
		I _{CC} L		48			
		I _{CC} Z		39			

NOTES:

- For conditions shown as MIN or MAX, use the appropriate value specified under recommended operating conditions for the applicable device type.
- Not more than one output should be shorted at a time, nor for more than 1 second.

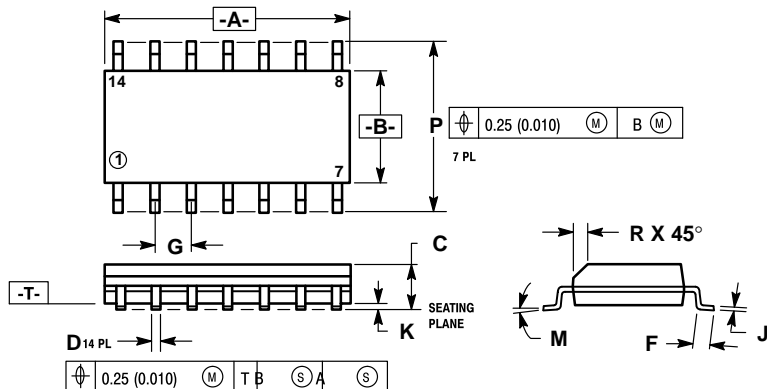
MC54/74F125 • MC54/74F126

AC ELECTRICAL CHARACTERISTICS

Symbol	Parameter		54/74F			54F		74F		Unit
			T _A = +25 °C V _{CC} = +5.0 V C _L = 50 pF			T _A = 0°C to 70°C V _{CC} = 5.0 V ± 10% C _L = 50 pF		T _A = 0°C to + 70°C V _{CC} = 5.0 V ± 10% C _L = 50 pF		
			Min	Typ	Max	Min	Max	Min	Max	
t _{PLH}	Propagation Delay, nA to nY	F125	1.5	4.0	6.0	1.5	7.5	1.5	6.5	ns
t _{PHL}			3.0	5.5	7.5	3.0	9.0	3.0	8.0	
t _{PZH}	Output Enable Time to HIGH and LOW level	F125	3.0	5.5	7.5	3.0	9.5	3.0	8.5	ns
t _{PZL}			3.0	6.0	8.0	3.0	10	3.0	9.0	
t _{PHZ}	Output Disable Time from HIGH and LOW level	F125	1.5	3.5	5.0	1.5	7.0	1.5	6.0	ns
t _{PLZ}			1.5	3.5	5.5	1.5	7.0	1.5	6.0	
t _{PLH}	Propagation Delay, nA to nY	F126	1.5	4.0	6.5	1.5	8.0	1.5	7.0	ns
t _{PHL}			3.0	5.5	8.0	3.0	9.5	3.0	8.5	
t _{PZH}	Output Enable Time to HIGH and LOW level	F126	3.0	6.0	7.5	3.0	9.5	3.0	8.5	ns
t _{PZL}			3.0	6.0	8.0	3.0	9.5	3.0	8.5	
t _{PHZ}	Output Disable Time from HIGH and LOW level	F126	2.0	4.5	6.5	2.0	8.5	2.0	7.5	ns
t _{PLZ}			3.0	5.5	7.5	3.0	9.0	3.0	8.0	

DataSheet4U.com

**Case 751A-02 D Suffix
14-Pin Plastic
SO-14**

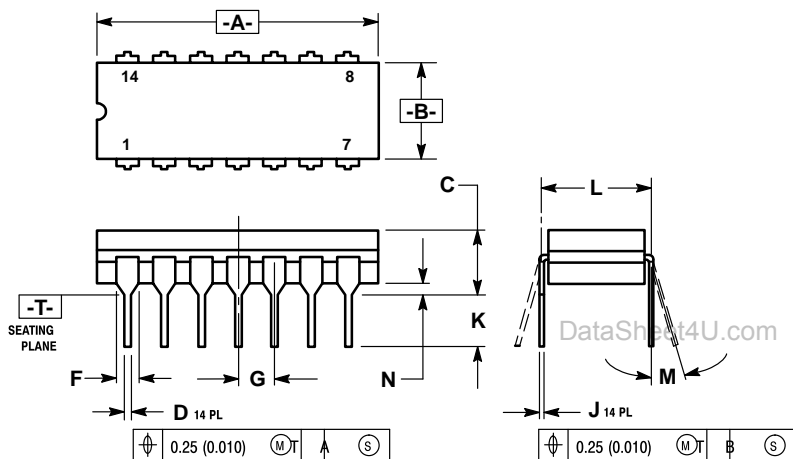


NOTES:

- DIMENSIONS "A" AND "B" ARE DATUMS AND "T" IS A DATUM SURFACE.
- DIMENSIONING AND TOLERANCING PER ANSI Y14.5M, 1982.
- CONTROLLING DIMENSION: MILLIMETER.
- DIMENSION A AND B DO NOT INCLUDE MOLD PROTRUSION.
- MAXIMUM MOLD PROTRUSION 0.15 (0.006) PER SIDE.
- 751A-01 IS OBSOLETE, NEW STANDARD 751A-02.

DIM	MILLIMETERS		INCHES	
	MIN	MAX	MIN	MAX
A	8.55	8.75	0.337	0.344
B	3.80	4.00	0.150	0.157
C	1.35	1.75	0.054	0.068
D	0.35	0.49	0.014	0.019
F	0.40	1.25	0.016	0.049
G	1.27 BSC		0.050 BSC	
J	0.19	0.25	0.008	0.009
K	0.10	0.25	0.004	0.009
M	0° 7°		0° 7°	
P	5.80	6.20	0.229	0.244
R	0.25	0.50	0.010	0.019

**Case 632-08 J Suffix
14-Pin Ceramic Dual In-Line**

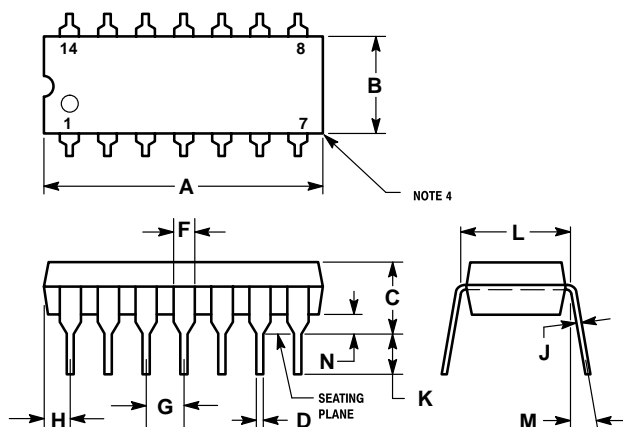


NOTES:

- DIMENSIONING AND TOLERANCING PER ANSI Y14.5M, 1982.
- CONTROLLING DIMENSION: INCH.
- DIMENSION L TO CENTER OF LEAD WHEN FORMED PARALLEL.
- DIM F MAY NARROW TO 0.76 (0.030) WHERE THE LEAD ENTERS THE CERAMIC BODY.
- 632-01 THRU -07 OBSOLETE, NEW STANDARD 632-08.

DIM	MILLIMETERS		INCHES	
	MIN	MAX	MIN	MAX
A	19.05	19.94	0.750	0.785
B	6.23	7.11	0.245	0.280
C	3.94	5.08	0.155	0.200
D	0.39	0.50	0.015	0.020
F	1.40	1.65	0.055	0.065
G	2.54 BSC		0.100 BSC	
J	0.21	0.38	0.008	0.015
K	3.18	4.31	0.125	0.170
L	7.62 BSC		0.300 BSC	
M	0° 15°		0° 15°	
N	0.51	1.01	0.020	0.040

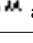
**Case 646-06 N Suffix
14-Pin Plastic**



NOTES:

- LEADS WITHIN 0.13 mm (0.005) RADIUS OF TRUE POSITION AT SEATING PLANE AT MAXIMUM MATERIAL CONDITION.
- DIMENSION "L" TO CENTER OF LEADS WHEN FORMED PARALLEL.
- DIMENSION "B" DOES NOT INCLUDE MOLD FLASH.
- ROUNDED CORNERS OPTIONAL.
- 646-05 OBSOLETE, NEW STANDARD 646-06.

DIM	MILLIMETERS		INCHES	
	MIN	MAX	MIN	MAX
A	18.16	19.56	0.715	0.770
B	6.10	6.60	0.240	0.260
C	3.69	4.69	0.145	0.185
D	0.38	0.53	0.015	0.021
F	1.02	1.78	0.040	0.070
G	2.54 BSC		0.100 BSC	
H	1.32	2.41	0.052	0.095
J	0.20	0.38	0.008	0.015
K	2.92	3.43	0.115	0.135
L	7.62 BSC		0.300 BSC	
M	0° 10°		0° 10°	
N	0.39	1.01	0.015	0.039

Motorola reserves the right to make changes without further notice to any products herein. Motorola makes no warranty, representation or guarantee regarding the suitability of its products for any particular purpose, nor does Motorola assume any liability arising out of the application or use of any product or circuit, and specifically disclaims any and all liability, including without limitation consequential or incidental damages. "Typical" parameters can and do vary in different applications. All operating parameters, including "Typicals" must be validated for each customer application by customer's technical experts. Motorola does not convey any license under its patent rights nor the rights of others. Motorola products are not designed, intended, or authorized for use as components in systems intended for surgical implant into the body, or other applications intended to support or sustain life, or for any other application in which the failure of the Motorola product could create a situation where personal injury or death may occur. Should Buyer purchase or use Motorola products for any such unintended or unauthorized application, Buyer shall indemnify and hold Motorola and its officers, employees, subsidiaries, affiliates, and distributors harmless against all claims, costs, damages, and expenses, and reasonable attorney fees arising out of, directly or indirectly, any claim of personal injury or death associated with such unintended or unauthorized use, even if such claim alleges that Motorola was negligent regarding the design or manufacture of the part. Motorola and  are registered trademarks of Motorola, Inc. Motorola, Inc. is an Equal Opportunity/Affirmative Action Employer.

Literature Distribution Centers:

USA: Motorola Literature Distribution; P.O. Box 20912; Phoenix, Arizona 85036.

EUROPE: Motorola Ltd.; European Literature Centre; 88 Tanners Drive, Blakelands, Milton Keynes, MK14 5BP, England.

JAPAN: Nippon Motorola Ltd.; 4-32-1, Nishi-Gotanda, Shinagawa-ku, Tokyo 141, Japan.

ASIA PACIFIC: Motorola Semiconductors H.K. Ltd.; Silicon Harbour Center, No. 2 Dai King Street, Tai Po Industrial Estate, Tai Po, N.T., Hong Kong.