

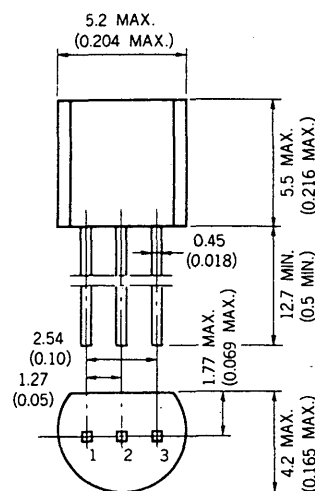
DESCRIPTION The 2SC2002 is designed for use in driver stage of high voltage audio equipments.

- FEATURES**
- High total power dissipation.
 P_T : 600 mW
 - High h_{FE} and high voltage.
 h_{FE} ($I_C = 50$ mA) : 200 TYP.
 V_{CEO} : 60 V

ABSOLUTE MAXIMUM RATINGS

Maximum Temperatures	
Storage Temperature	-55 to +150 °C
Junction Temperature	+150 °C Maximum
Maximum Power Dissipation ($T_a = 25$ °C)	
Total Power Dissipation	600 mW
Maximum Voltages and Currents ($T_a = 25$ °C)	
V_{CBO} Collector to Base Voltage	60 V
V_{CEO} Collector to Emitter Voltage	60 V
V_{EBO} Emitter to Base Voltage	5.0 V
I_C Collector Current	300 mA
I_B Base Current	60 mA

PACKAGE DIMENSIONS in millimeters (inches)



1. EMITTER EIAJ : SC-43B
 2. COLLECTOR JEDEC : TO-92
 3. BASE IEC : PA33

ELECTRICAL CHARACTERISTICS ($T_a = 25$ °C)

SYMBOL	CHARACTERISTIC	MIN.	TYP.	MAX.	UNIT	TEST CONDITIONS
h_{FE1}^*	DC Current Gain	90	200	400	—	$V_{CE} = 1.0$ V, $I_C = 50$ mA
h_{FE2}^*	DC Current Gain	30	80		—	$V_{CE} = 2.0$ V, $I_C = 300$ mA
C_{ob}	Collector to Base Capacitance		7.0	15	pF	$V_{CB} = 6.0$ V, $I_E = 0$ $f = 1.0$ MHz
f_T	Gain Bandwidth Product	50	140		MHz	$V_{CE} = 6.0$ V, $I_E = -10$ mA
V_{BE}^*	Base to Emitter Voltage	600	645	700	mV	$V_{CE} = 6.0$ V, $I_C = 10$ mA
$V_{CE(sat)}^*$	Collector Saturation Voltage		0.15	0.6	V	$I_C = 300$ mA, $I_B = 30$ mA
$V_{BE(sat)}^*$	Base Saturation Voltage		0.86	1.2	V	$I_C = 300$ mA, $I_B = 30$ mA
I_{CBO}	Collector Cutoff Current			100	nA	$V_{CB} = 60$ V, $I_E = 0$
I_{EBO}	Emitter Cutoff Current			100	nA	$V_{EB} = 5.0$ V, $I_E = 0$

* Pulsed PW ≤ 350 μ s, duty cycle ≤ 2.0 %.

Classification of h_{FE1}

Rank	M	L	K
Range	90 - 180	135 - 270	200 - 400

h_{FE} Test Conditions : $V_{CE} = 1.0$ V, $I_C = 50$ mA

TYPICAL CHARACTERISTICS (Ta = 25 °C unless otherwise noted)

