

# 1000V CERAMIC DISC

## 90000 SERIES

The 90000 series is a range of insulated disc, monolithic fixed ceramic capacitors. They are most commonly used in consumer electronics and telecommunication equipment.

### RATINGS

**Capacitance Range:** 1.0pf to 0.10 $\mu$ f (100,000pf)

**Voltage:** 1000 Volts DC

**Withstand Voltage:** 2500 Volts DC

### PERFORMANCE SPECIFICATIONS

**Operating Temperature Range:**

-25°C to +85°C (-13°F to +185°F)

**Tolerance Range:**

9001D0-9009D0	$\pm 0.5$ pf
90010-90210	$\pm 10\%$
90212-90220	+80%, -20%
90222	$\pm 20\%$
90227-90410	+80%, -20%

**Temperature Coefficient:**

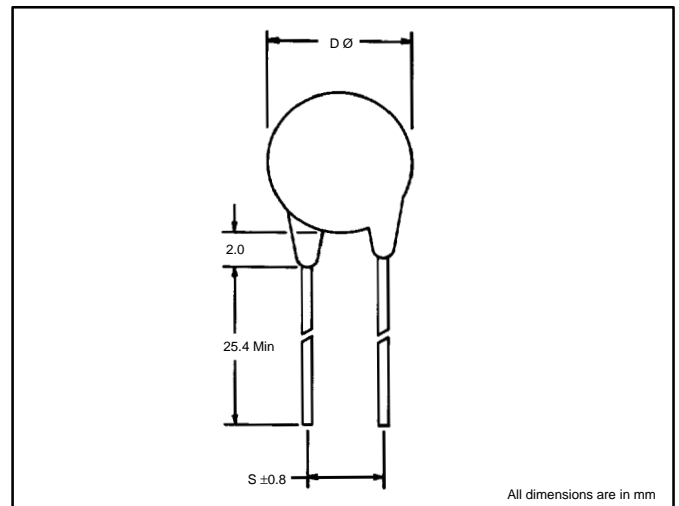
9001D0-90091	-	SL
90110-90118	-	Y5F
90122-90210	-	Y5P
90212-90220	-	Z5V
90222	-	Z5U
90227-90410	-	Z5V

**Insulation Resistance:** 7500M $\Omega$  Min  
measured after 1 Minute at rated voltage

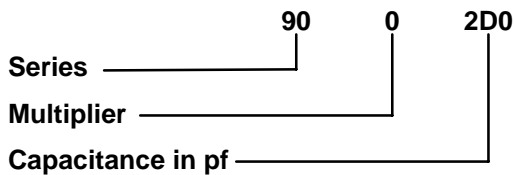
### 90000 Series Dimensions (Figure 2)

Cap pf	D $\emptyset$ mm	S mm	Cap pf	D $\emptyset$ mm	S mm	Cap pf	D $\emptyset$ mm	S mm
1.0pf	5	7.5	39pf	5	7.5	1500pf	5	7.5
2.0pf	6	7.5	47pf	5	7.5	1800pf	6	7.5
2.2pf	5	7.5	56pf	5	7.5	2000pf	6	7.5
2.7pf	5	7.5	62pf	5	7.5	2200pf	6	7.5
3.0pf	5	7.5	68pf	6	7.5	2700pf	7	7.5
3.3pf	6	7.5	75pf	6	7.5	3000pf	7	7.5
4.0pf	5	7.5	82pf	6	7.5	3300pf	7	7.5
4.7pf	5	7.5	91pf	6	7.5	3900pf	7	7.5
5.0pf	5	7.5	100pf	5	7.5	4300pf	7	7.5
5.6pf	5	7.5	120pf	5	7.5	4700pf	8	7.5
6.2pf	5	7.5	150pf	5	7.5	5000pf	8	7.5
6.8pf	5	7.5	180pf	5	7.5	5600pf	8.5	7.5
7.5pf	5	7.5	220pf	5	7.5	6800pf	10.5	7.5
8.0pf	6	7.5	270pf	6	7.5	7500pf	10.5	7.5
9.0pf	5	7.5	330pf	6	7.5	8200pf	10.5	7.5
10pf	5	7.5	390pf	6	7.5	0.01 $\mu$ f	10.5	7.5
12pf	5	7.5	430pf	6	7.5	0.015 $\mu$ f	10.5	7.5
13pf	5	7.5	470pf	5	7.5	0.020 $\mu$ f	11.0	7.5
15pf	5	7.5	500pf	6	7.5	0.022 $\mu$ f	13.5	8.5
18pf	5	7.5	560pf	6	7.5	0.030 $\mu$ f	13.5	8.5
20pf	5	7.5	680pf	6	7.5	0.033 $\mu$ f	13.5	8.5
22pf	5	7.5	750pf	6	7.5	0.036 $\mu$ f	13.5	8.5
24pf	6	7.5	820pf	6	7.5	0.047 $\mu$ f	16.5	10.5
27pf	5	7.5	910pf	6	7.5	0.050 $\mu$ f	16.5	10.5
30pf	5	7.5	1000pf	5	7.5	0.10 $\mu$ f	20.0	10.5
33pf	5	7.5	1200pf	5	7.5			

Figure 2



### ORDERING INFORMATION



Example: 9002D0 = 2.0pf  
90220 = 2000pf  
90347 = 0.047 $\mu$ f

### MARKING EXAMPLE

Example: 2pf = 2  
2000pf = 202  
0.047 $\mu$ f = 473

Figure 1

