



# ADC-8208

MICROPROCESSOR-COMPATIBLE  
8-BIT CMOS A/D CONVERTER

Precision Monolithics Inc.

## ADVANCE PRODUCT INFORMATION

### FEATURES

- **Fast Conversion Time** ..... 5 $\mu$ s
- **8-Bit Accuracy** .....  $\pm 1/2$  LSB Max INL
- **Memory-Mapped Interface**
- **Low Power Dissipation** ..... 30mW
- **Operates from Single +5V**
- **Fits AD7574 Sockets, with Improved Conversion Time**
- **Space Saving 0.3 Inch Wide 18-Pin DIP**

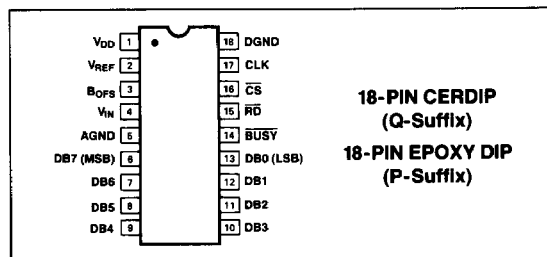
### GENERAL DESCRIPTION

The ADC-8208 is an 8-bit microprocessor compatible A/D converter which uses the successive-approximation conversion technique to provide a 5 $\mu$ s maximum conversion time. Control logic and three-state data output buffers constitute the memory-mapped microprocessor interface. The  $\overline{CS}$  and  $\overline{RD}$  control lines reset the converter, start conversion, and read output data. The  $\overline{BUSY}$  output indicates conversion in progress.

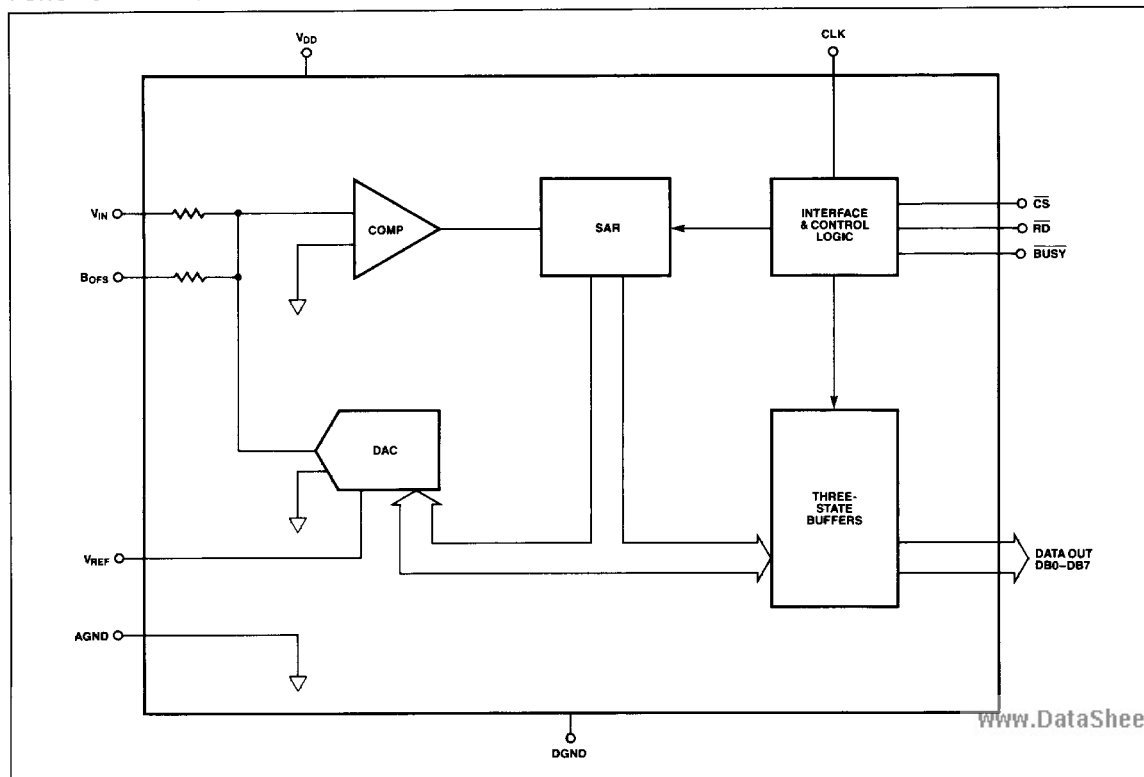
The ADC-8208 provides an improved second-source to the AD7574, providing a three-times faster conversion time.

This low power device is ideal for process control, instrumentation, navigation, and general data-acquisition systems.

### PIN CONNECTIONS



### FUNCTIONAL DIAGRAM



www.DataSheet4U.com

This advance product information describes a product in development at the time of this printing. Final specifications may vary. Please contact local sales office or distributor for final data sheet.