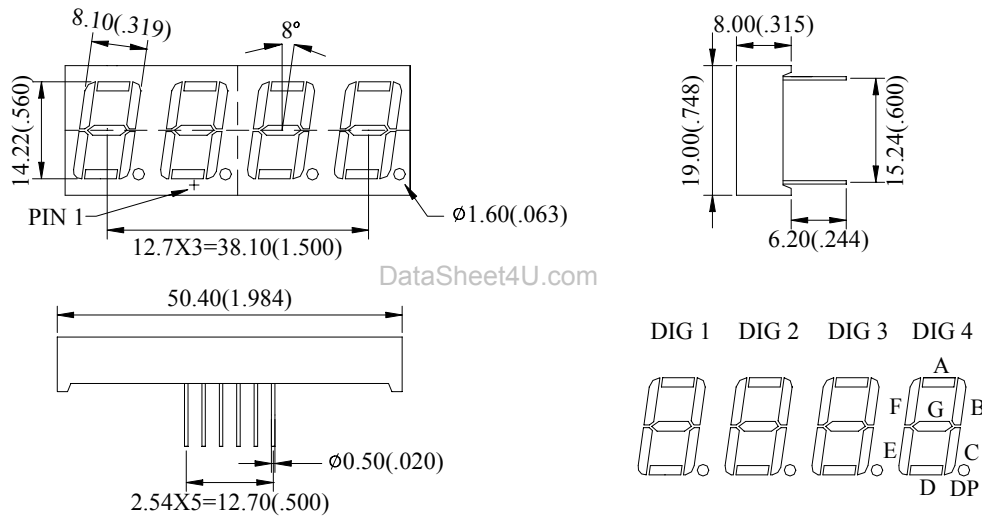




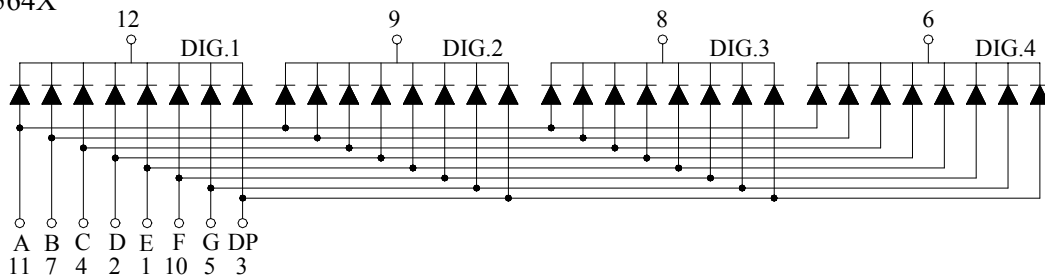
C/A-564X FOUR DIGITS DISPLAY

Shape	Part No.		Chip		Wave Length λ p(nm)	Electro-Optical Characteristics			Fig.No.
	Common Cathode	Common Anode	Raw Material	Emitted Color		Vf(V)20mA Typ.	Max.	Iv(ucd)10mA Typ.	
	C-564H	A-564H	GaP	Red	700	2.3	2.8	700	D52
	C-564E	A-564E	GaAsP/GaP	Hi.effi Red	635	2.1	2.8	2000	
	C-564G	A-564G	GaP	Green	565	2.1	2.8	2000	
	C-564Y	A-564Y	GaAsP/GaP	Yellow	585	2.1	2.8	1600	
	C-564SR	A-564SR	GaAlAs	Super Red	660	1.8	2.2	21000	

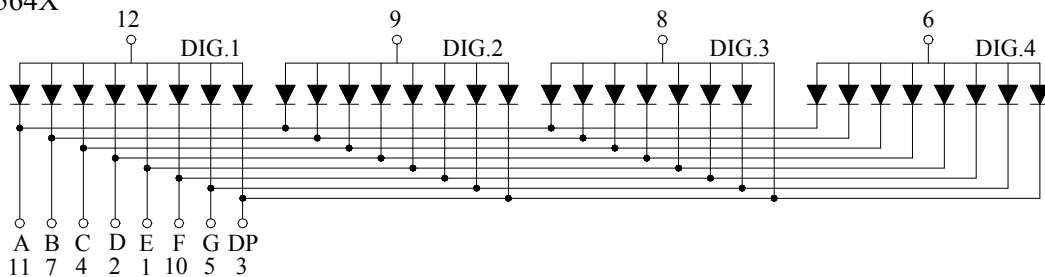
Fig. D52



C-564X



A-564X



1. All dimension are in millimeters (inches).

2. Tolerance is ± 0.25 mm (0.01") unless otherwise specified.