

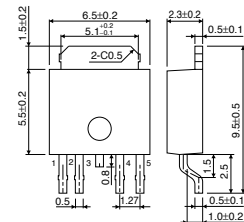
2-output LDO series regulator BA33C25FP/HFP

● Description

BA33C25FP/HFP is a 2-output LDO series regulator IC. Output current is 1A at maximum and output voltage accuracy is +/-2%. This IC incorporates over-current protection and thermal protection circuits.

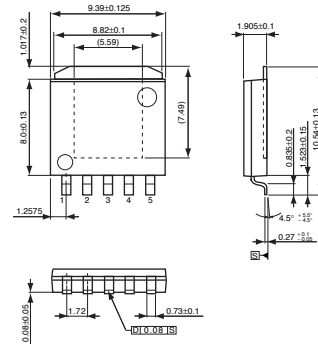
● Dimension (Unit : mm)

BA33C25FP



TO252-5

BA33C25HFP



HRP-5

● Features

- 1) 3.3V/1A, 2.5V/1A
- 2) Output voltage accuracy: +/-2%
- 3) PNP output and LDO voltage type
- 4) Built-in output current limit circuit protects the IC from destruction by short
- 5) Built-in temperature protection circuit protects the IC from thermal destruction by overload state
- 6) TO252-5 package, HRP-5 package

● Applications

DVD-ROM, DVD-RW, HDD

● Absolute Maximum Ratings (Ta=25°C)

Parameter	Symbol	Limits	Unit
Applied voltage	V _{CC}	18	V
Power dissipation	P _d	2300 ^{*1}	mW
Operating temperature range	T _{opr}	-40 ~ +105	°C
Storage temperature range	T _{stg}	-55 ~ +150	°C

*1 Derating : 18.4mW/°C for operation above Ta ≥ 25°C
PCB (70mmx70mm, t=1.6mm) glass epoxy mounting. (Thermal via on the board.)
(Board surface copper foil area: 10.5mmX10.5mm)
(2 layer board (Back copper foil area: 15mmX15mm))

● Recommended Operating Conditions (Ta=25°C)

Parameter	Symbol	Min.	Typ.	Max.	Unit
Input supply voltage	V _{CC}	4.1	-	16.0	V
3.3V output current	I _{o1}	-	-	1	A
2.5V output voltage	I _{o2}	-	-	1	A

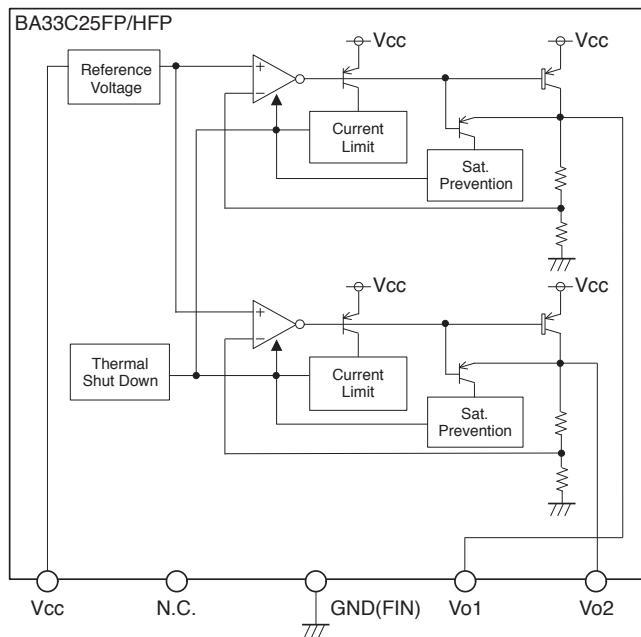
● Electrical characteristics (Unless otherwise noted; Ta=25°C, Vcc=5V)

Parameter	Symbol	Min.	Typ.	Max.	Unit	Conditions
Bias current	I _b	-	0.8	1.5	mA	I _{o1} =0mA, I _{o2} =0mA
<3.3V output>						
Output voltage 1	V _{o1}	3.234	3.3	3.366	V	I _{o1} =500mA
Min. I/O voltage difference 1	ΔV _{d1}	-	0.25□	0.50	V	I _{o1} =500mA, V _{cc} =3.135V
Output current capacity 1	I _{o1}	1.0	-	-	A	
Ripple rejection 1	R.R. 1	50	58	-	dB	f=120Hz, e _{in} =1V _{rms} , I _{o1} =200mA
Input stability 1	Reg.I1	-	5	30	mV	V _{cc} =4.1 → 16V, I _{o1} =500mA
Load stability 1	Reg.L1	-	30	75	mV	I _{o1} =0mA → 1A
Output voltage temperature coefficient 1	T _{cv01}	-	±0.01	-	% / °C	I _{o1} =5mA, T _j =0~125°C
Output short current 1	I _{os1}	-	300	-	mA	V _{cc} =16V
<2.5V output>						
Output voltage 2	V _{o2}	2.450	2.5	2.550	V	I _{o2} =500mA
Output current capacity 2	I _{o2}	1.0	-	-	A	
Ripple rejection 2	R.R. 2	50	58	-	dB	f=120Hz, e _{in} =1V _{rms} , I _{o2} =200mA
Input stability 2	Reg.I2	-	5	30	mV	V _{cc} =4.1 → 16V, I _{o2} =500mA
Load stability 2	Reg.L2	-	30	75	mV	I _{o2} =0mA → 1A
Output voltage temperature coefficient 2	T _{cv02}	-	±0.01	-	% / °C	I _{o1} =5mA, T _j =0~125°C
Output short current 2	I _{os2}	-	270	-	mA	V _{cc} =16V

*This product is not designed for protection against radioactive rays.

*2 Design guaranteed (All total inspection is not performed.)

● Block Diagram



Notes

- No technical content pages of this document may be reproduced in any form or transmitted by any means without prior permission of ROHM CO.,LTD.
- The contents described herein are subject to change without notice. The specifications for the product described in this document are for reference only. Upon actual use, therefore, please request that specifications to be separately delivered.
- Application circuit diagrams and circuit constants contained herein are shown as examples of standard use and operation. Please pay careful attention to the peripheral conditions when designing circuits and deciding upon circuit constants in the set.
- Any data, including, but not limited to application circuit diagrams information, described herein are intended only as illustrations of such devices and not as the specifications for such devices. ROHM CO.,LTD. disclaims any warranty that any use of such devices shall be free from infringement of any third party's intellectual property rights or other proprietary rights, and further, assumes no liability of whatsoever nature in the event of any such infringement, or arising from or connected with or related to the use of such devices.
- Upon the sale of any such devices, other than for buyer's right to use such devices itself, resell or otherwise dispose of the same, no express or implied right or license to practice or commercially exploit any intellectual property rights or other proprietary rights owned or controlled by
- ROHM CO., LTD. is granted to any such buyer.
- Products listed in this document use silicon as a basic material.
Products listed in this document are no antiradiation design.

The products listed in this document are designed to be used with ordinary electronic equipment or devices (such as audio visual equipment, office-automation equipment, communications devices, electrical appliances and electronic toys).

Should you intend to use these products with equipment or devices which require an extremely high level of reliability and the malfunction of which would directly endanger human life (such as medical instruments, transportation equipment, aerospace machinery, nuclear-reactor controllers, fuel controllers and other safety devices), please be sure to consult with our sales representative in advance.

About Export Control Order in Japan

Products described herein are the objects of controlled goods in Annex 1 (Item 16) of Export Trade Control Order in Japan.

In case of export from Japan, please confirm if it applies to "objective" criteria or an "informed" (by MITI clause) on the basis of "catch all controls for Non-Proliferation of Weapons of Mass Destruction.