

Silicon NPN Power Transistors

BUH1015HI

DESCRIPTION

www.datasheet4u.com

- With TO-3PML package.
- High voltage.
- High switching speed.

APPLICATIONS

- Horizontal deflection for colour TV and monitors.

PINNING

PIN	DESCRIPTION
1	Base
2	Collector;connected to mounting base
3	Emitter

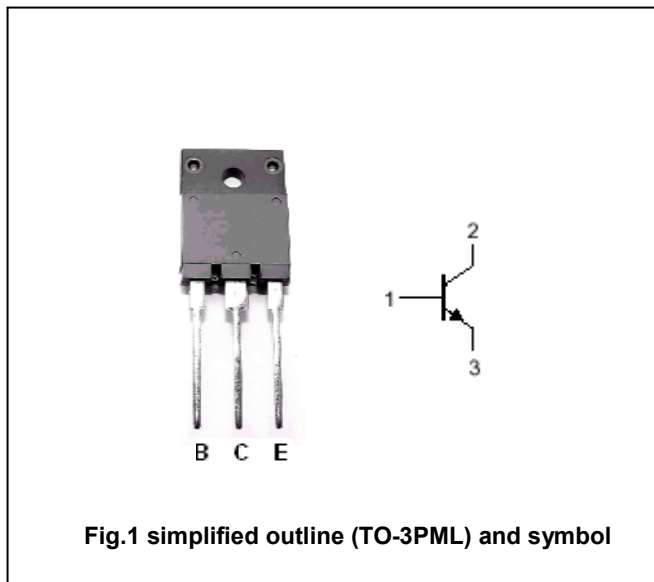


Fig.1 simplified outline (TO-3PML) and symbol

Absolute maximum ratings (Ta=25°C)

SYMBOL	PARAMETER	CONDITIONS	VALUE	UNIT
V_{CBO}	Collector-base voltage	Open emitter	1500	V
V_{CEO}	Collector-emitter voltage	Open base	700	V
V_{EBO}	Emitter-base voltage	Open collector	10	V
I_C	Collector current (DC)		14	A
I_{CM}	Collector current -peak	$t_p < 5ms$	18	A
I_B	Base current		8	A
I_{BM}	Base current -peak	$t_p < 5ms$	11	A
P_C	Collector power dissipation	$T_C = 25^\circ C$	70	W
T_j	Junction temperature		150	°C
T_{stg}	Storage temperature		-65~150	°C

Silicon NPN Power Transistors

BUH1015HI

CHARACTERISTICS

www.datasheet4u.com

 $T_j=25^\circ\text{C}$ unless otherwise specified

SYMBOL	PARAMETER	CONDITIONS	MIN	TYP.	MAX	UNIT
$V_{(BR)EBO}$	Emitter-base breakdown voltage	$I_E=10\text{mA}; I_C=0$	10			V
$V_{CEO(SUS)}$	Collector-emitter sustaining voltage	$I_C=100\text{mA}; I_B=0$	700			V
V_{CEsat}	Collector-emitter saturation voltage	$I_C=10\text{A}; I_B=2\text{A}$			1.5	V
V_{BEsat}	Base-emitter saturation voltage	$I_C=10\text{A}; I_B=2\text{A}$			1.5	V
I_{CES}	Collector cut-off current	$V_{CE}=1500\text{V}; V_{BE}=0$ $T_j=125^\circ\text{C}$			0.2 2	mA
I_{EBO}	Emitter cut-off current	$V_{EB}=5\text{V}; I_C=0$			0.1	mA
h_{FE}	DC current gain	$I_C=10\text{A}; V_{CE}=5\text{V}$ $T_j=100^\circ\text{C}$	7 5		14	

Switching times resistive load

t_s	Storage time	$I_C=10\text{A}; I_{B1}=2\text{A}; I_{B2}=-6\text{A};$ $V_{CC}=400\text{V}$		1.5		μs
t_f	Fall time			110		ns

THERMAL CHARACTERISTICS

SYMBOL	PARAMETER	MAX	UNIT
$R_{th\ j\text{-case}}$	Thermal resistance junction case	1.8	$^\circ\text{C}/\text{W}$

Silicon NPN Power Transistors

BUH1015HI

PACKAGE OUTLINE

www.datasheet4u.com

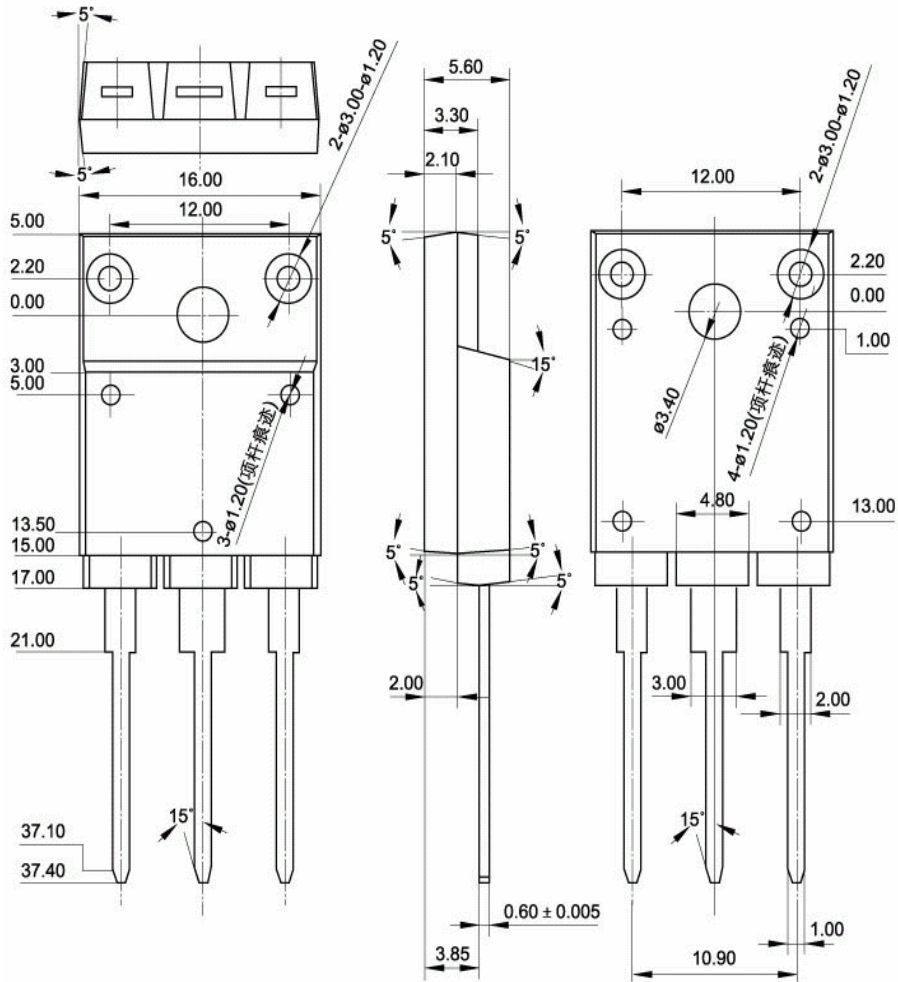


Fig.2 Outline dimensions