

T-27-01



TELEVISION/VIDEO DEVICES

(a) I.F./R.F. amplifiers and oscillators

NPN PNP	TYPE	Maximum Ratings						Electrical Characteristics at T _J =25°C							
Case: SOT-25 P _D = 250 mW @ T _a =25°C	Case: TO-92 P _D =200 mW @ T _a =25°C	Case: TO-106 P _D = 150 mW @ T _a =25°C	V _{CB0}	V _{CE0}	V _{EB0}	I _C	h _{FE} @	V _{CE/IC}	G _{PE} @ f	f _T	C _{re}	N _F @ f			
			V	V	V	mA	min-max	V/mA	dB	MHz	MHz	PF	dB	MHz	
BF 194A	194A	EBF 194A	30	20	5	30	200-500	10/1	-	-	350	0.95	1.0	1	
BF 194B	194B	EBF 194B	30	20	5	30	100-220	10/1	-	-	260	0.95	1.2	1	
BF 195C	194C	EBF 195C	30	20	5	30	70-110	10/1	-	-	200	0.95	3.5	1	
BF 195D	195D	EBF 195D	30	20	5	30	30-75	10/1	-	-	200	0.95	3.5	1	

NPN PNP	TYPE	Maximum Ratings						Electrical Characteristics at T _J =25°C							
Case: TO-72	Case: TO-92	P _D Ta=25°C W	V _{CB0}	V _{CE0}	V _{EB0}	I _C	h _{FE} @	V _{CE/IC}	G _{PE} @ f	f _T	C _{re}	N _F @			
		V	V	V	mA	min/max	V/mA	dB	MHz	MHz	PF	dB	MHz		
BF 167	167	0.15	40	30	4	25	25/-	10/4	42	35	350	0.15	3	35	
BF 173	173	0.275	40	30	4	25	35/-	10/7	42	35	550	0.23	-	-	
BF 180	180	0.15	30	20	3	20	13/-	10/2*	12	900	675	0.28	2.5	200	
BF 181	181	0.15	30	20	3	20	13/-	10/2*	11	900	600	0.28	6.8	900	
BF 182	182	0.15	25	20	3	15	10/-	10/2*	11	900	650	0.33	3.3	200	
BF 200	200	0.15	30	20	3	20	15/-	10/3*	30	30	650	0.28	2	100	
BF 200B	-	0.15	30	20	3	20	50/-	10/3*	30	30	650typ	0.28	2	100	
BF 362	-	0.12	30	20	3	20	15/-	10/3*	30	30	800typ	0.28	2	800	
BF 363	-	0.12	30	20	3	20	15/-	10/3*	30	30	600-800	0.28	2	800	

*V_{CB/IE}

TYPE NPN	P _D @ Ta=25°C W	I _{CB0} V	V _{CE0} V	V _{EB0} V	I _C mA	h _{FE} @ min/max	V _{CE/IC} V/mA	f _T min GHz	I _{CB0} nA	C _{ob} pF	N _F dB (at 200 MHz)	Case
BFY 90	0.2	30	15	2.5	25	25/150	1/2	1.4 typ	10	0.6	2.5	TO-72
BFW 92	0.19	25	15	2.5	25	20/150	1/2	1.6 typ	50	0.6	4.0	TO-72
BFW 30	0.25	20	10	2.5	50	-/25	5/25	1.6 typ	50	0.8	5.0	TO-72
BFR 90	0.18	20	15	2.0	30	50/-	10/14	5.0 typ	50	0.4*	2.4	TO-72/TO-92

*TO-50

TYPE NPN PNP	P _D @ Ta=25°C	V _{CB0} V	V _{CE0} V	V _{EB0} V	I _C mA	h _{FE} @ min/max	V _{CE/IC} V/mA	f _T min MHz	I _{CB0} μA	C _{ob} pF	Case
2N917	0.2	30	15	3	50	20/200	1/3	500	0.001	1.7	TO-72
2N918	0.2	30	15	3	50	20/-	1/3	600	0.01	1.7	TO-72
2N3553	7*	65	40	4	1000	10/-	5/250	350	1000	10	TO-39
2N3866	5*	55	30	3.5	400	10/200	5/50	500	-	3	TO-39
2N4080	0.3	20	15	3	50	20/-	1/3	1000	0.01	1.7	TO-72

† I_{CEO}

* P_D @ T_C = 25°C

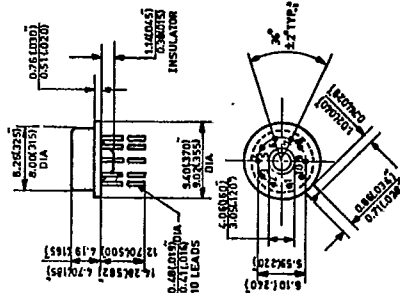
(b) V.H.F./U.H.F. TV tuning devices

TR 17 / MW 10

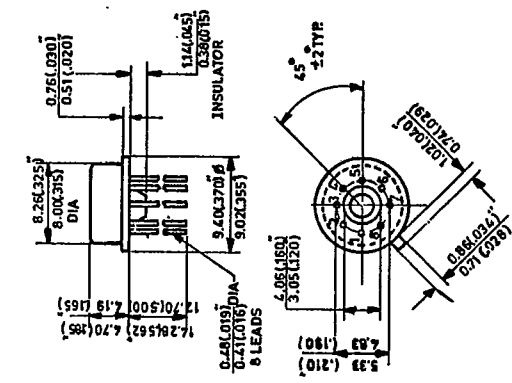
TYPE NPN	P _D @ Ta=25°C (mW)	V _{CB0} V	V _{CE0} V	V _{EB0} V	I _C mA	I _B	h _{FE}	V _{CE/IC} V/mA	f _T (typ/max) MHz	I _{CB0} nA (max)	I _{EB0} nA	V _{CE} (sat) V	I _{C/I_B} mA	Case
2 SC1393	250	30	30	4.0	20	-	40-240	10/2	400/700	100	-	-	-	TO-92 TO-72
2 SC1394	250	30	30	4.0	20	-	40-240	10/2	400/700	100	-	0.7	10/1	TO-92 TO-72
2 SC1395	250	30	15	4.0	20	-	40-240	10/2	600/1100	100	100	0.5 @	10/1	TO-92 TO-72
2 SC1674	250	30	20	4.0	20	-	40-240	6/1	-/500	-	-	-	-	TO-92 TO-72
2 SC1730	250	30	15	5.0	50	-	40-240	10/5	800/1100 typ	100	-	0.5 @	10/1	TO-92

745-1045

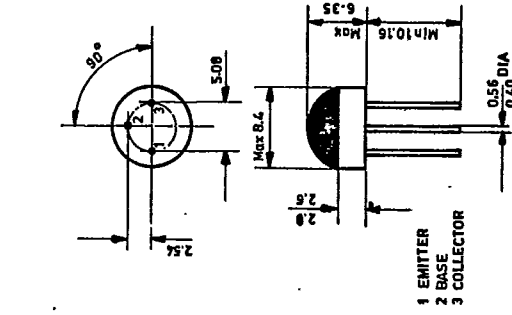
TO-96



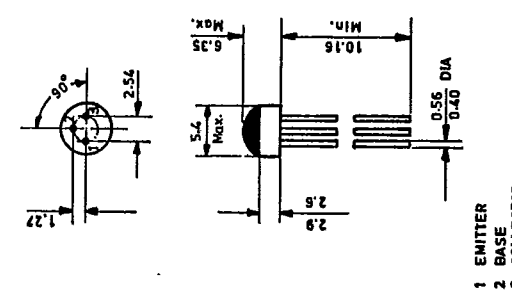
TO-99



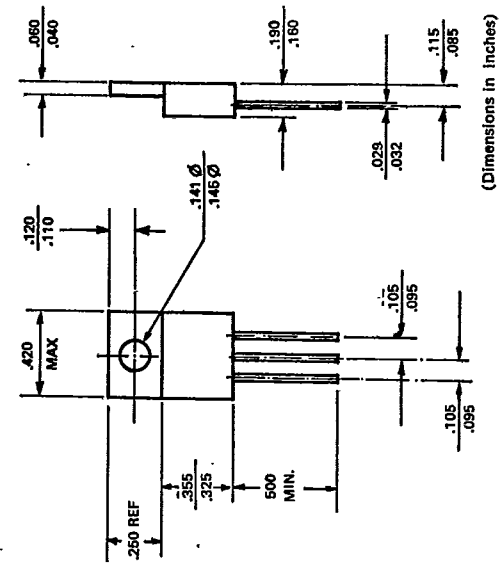
TO-105



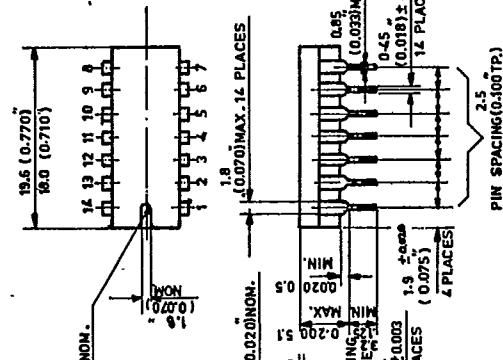
TO-106



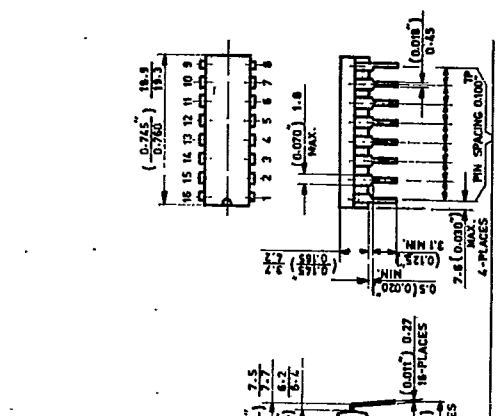
TO-220



14 pin DIP



16 pin DIP



Note : Dimensions in mm unless otherwise specified

(Dimensions in Inches)