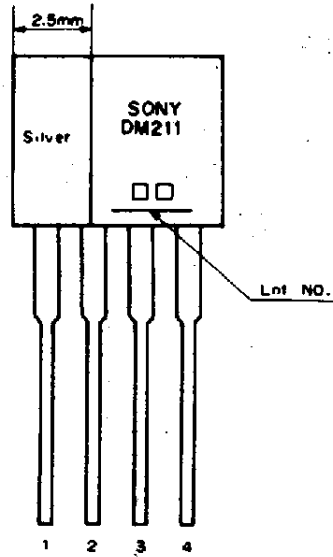


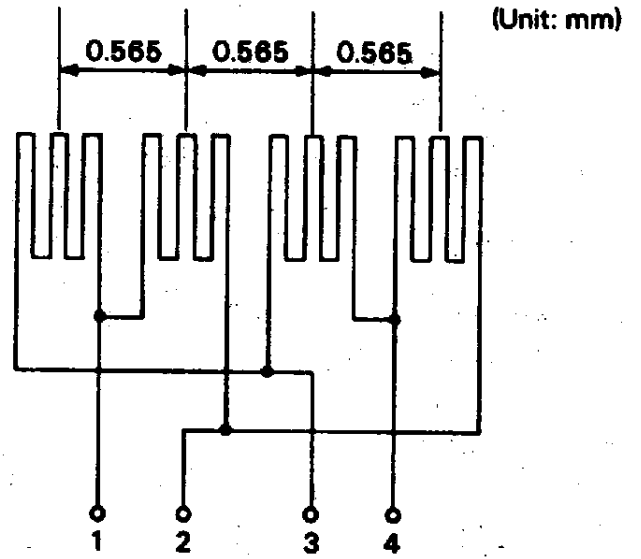
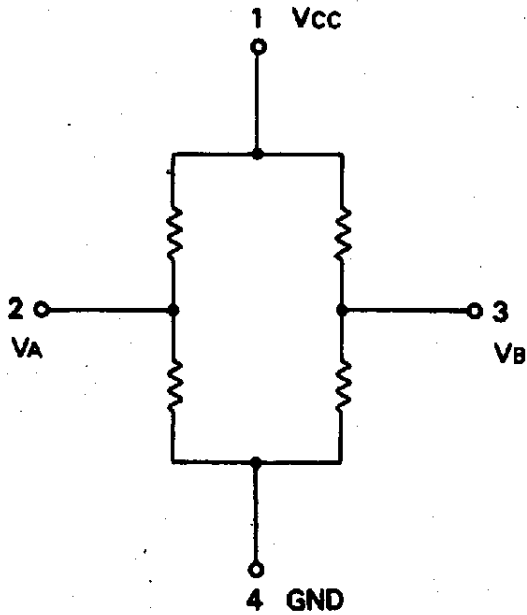
Mark

T-65-05

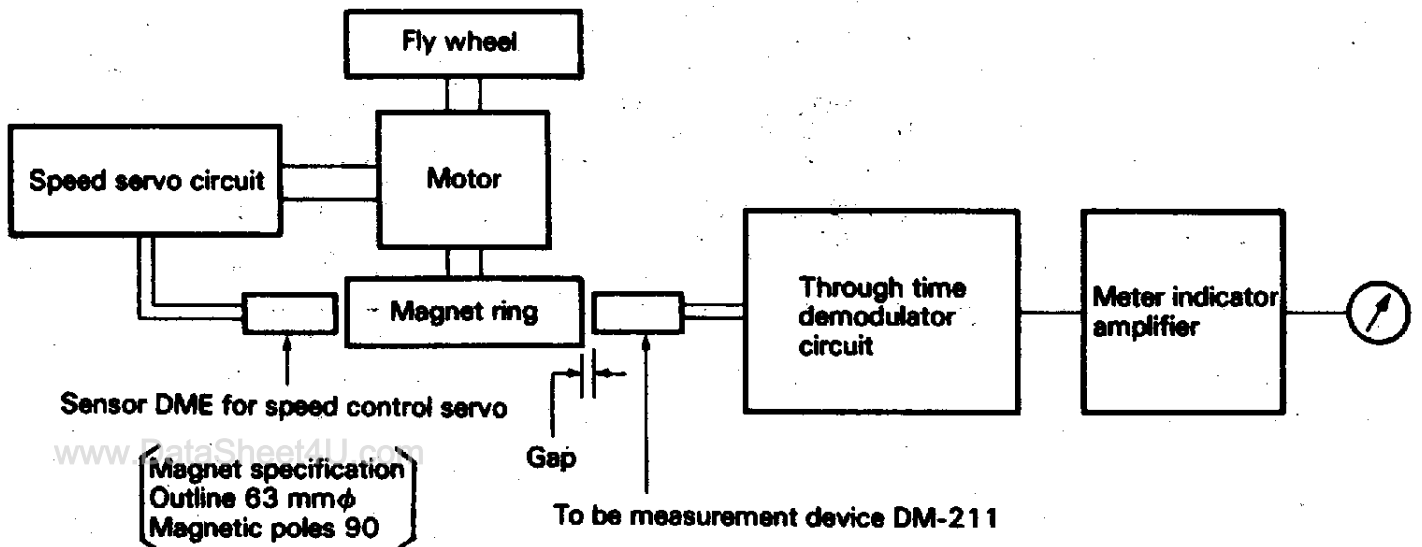


Equivalent Circuit

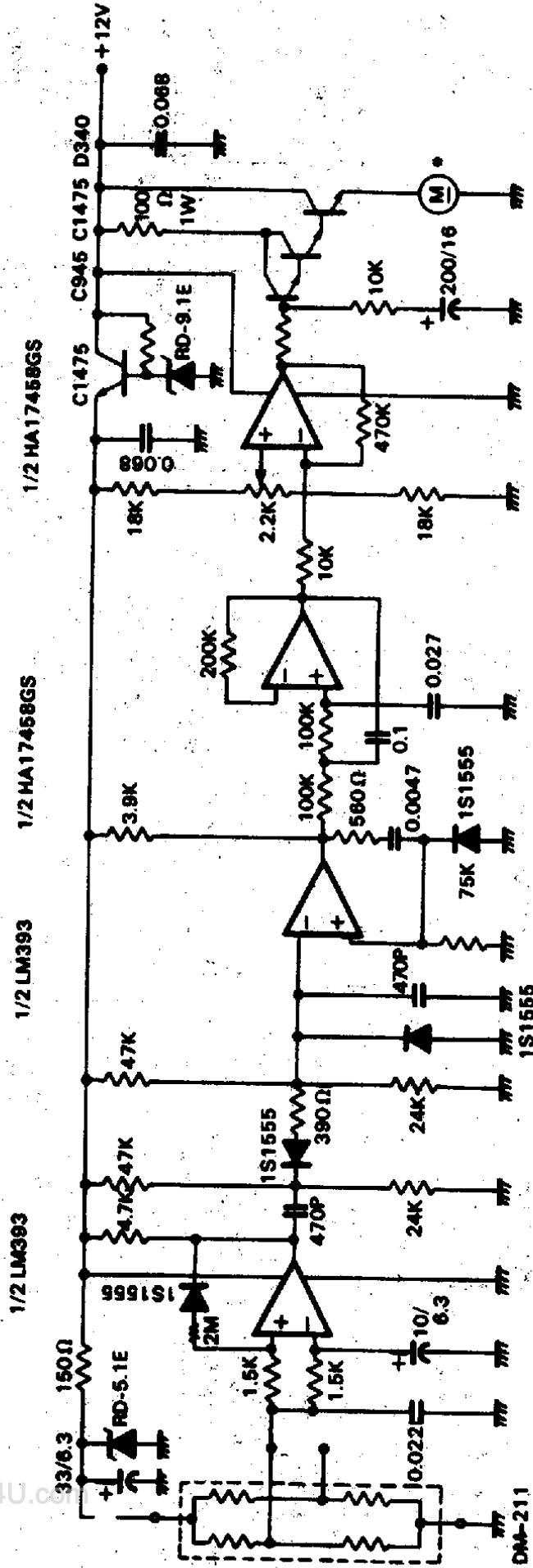
Pattern Layout



FG Irregular of Rotation Test Circuit

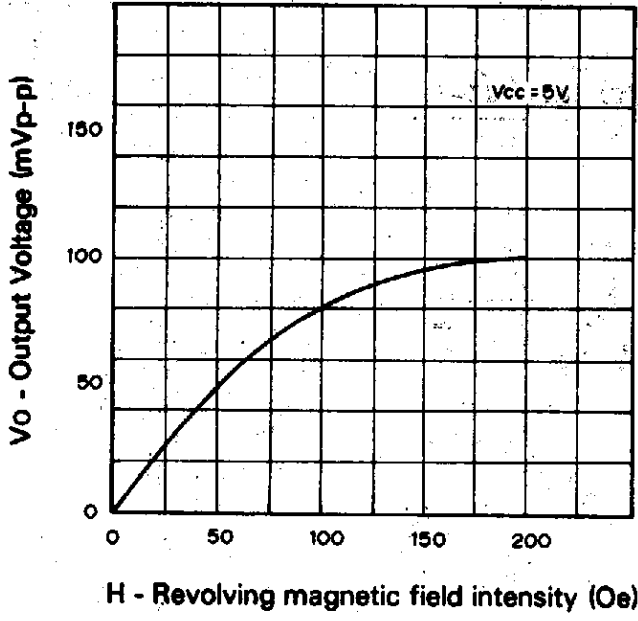


Electrical Characteristic Test Circuit
(Speed servo circuit)



* Motor must be used with fly wheel (I = 12g · Cm · S²)

Output voltage vs. Magnetic field intensity



Total resistance vs. Ambient temperature

