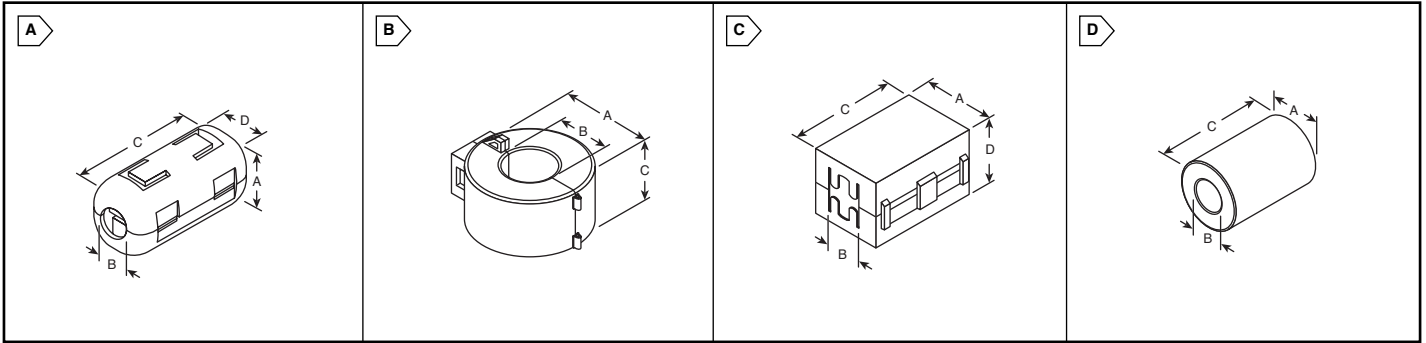


STEWARD Ferrite Cable & Wire EMI Filters

Steward

www.DataSheet4U.com



SNAP-ON EMI FERRITE CLAMP FILTERS IN PLASTIC CASES

Features:

- For retrofit and post assembly usages
- Excellent common and differential mode EMI suppression
- Black or white plastic snap-on cases provide secure closure
- For round cables and wire bundles



RoHS Compliant

For quantities of 500 and up, call for quote.

MOUSER STOCK NO.	Steward Part No.	Fig.	Impedance @ 100MHz (Ω)	Impedance @ 300MHz (Ω)	Maximum Cable Diameter	Dimensions (mm)				Case Color	Price Each			
						A	B	C	D		1	10	50	100
875-28A0392-0A0	28A0392-0A0	A	170	320	4.65	12.8	5.44	29.08	12.32	White	1.05	.87	.75	.68
875-28A0640-0A0	28A0640-0A0	A	240	390	8.95	19.1	9.09	40.36	20.8	White	1.93	1.60	1.38	1.25
875-28A2025-0A0	28A2025-0A0	C	320	510	6.35	17.9	7.0	32.5	18.4	White	1.86	1.55	1.33	1.20
875-28A2029-0A0	28A2029-0A0	C	250	420	9.91	21.77	10.0	32.84	21.84	White	2.32	1.92	1.66	1.49
875-28A2024-0A0	28A2024-0A0	C	280	440	12.7	29.0	13.0	32.5	29.6	White	3.69	3.06	2.64	2.38
875-28A0392-0A2	28A0392-0A2	A	170	320	4.65	12.8	5.44	29.08	12.32	Black	1.05	.87	.75	.68
875-28A0350-0B2	28A0350-0B2	A	240	400	3.5	13.0	3.5	25.2	11.5	Black	1.02	.85	.73	.66
875-28A2736-0A2	28A2736-0A2	A	220	360	9.0	18.0	9.0	35.1	19.7	Black	1.51	1.25	1.08	.97
875-28A0640-0A2	28A0640-0A2	A	240	690	8.95	19.1	9.09	40.36	20.8	Black	1.93	1.60	1.38	1.25
875-28A2026-0A2	28A2026-0A2	A	270	460	6.35	21.03	8.13	41.68	21.03	Black	2.05	1.70	1.47	1.32
875-28A3851-0A2	28A3851-0A2	A	260	410	12.85	30.0	13.0	33.7	30.0	Black	3.11	2.58	2.22	2.00
875-28A0593-0A2	28A0593-0A2	B	471	575	6.55	18.75	6.60	6.55	-	Black	1.75	1.46	1.26	1.13
875-28A2432-0A2	28A2432-0A2	B	160	300	8.13	19.2	8.2	19.9	-	Black	1.26	1.05	.91	.82
875-28A3039-0A2	28A3039-0A2	B	130	250	10.19	24.55	10.2	13.6	-	Black	1.32	1.10	.95	.86
875-28A4155-0A2	28A4155-0A2	B	120	230	13.55	28.8	13.6	15.4	-	Black	1.52	1.26	1.09	.98
875-28A0434-0A2	28A0434-0A2	B	227	449	5.1	42.55	14.3	5.35	-	Black	1.23	1.03	.89	.80
875-28A0592-0A2	28A0592-0A2	B	572	688	4.5	53.39	18.75	4.8	-	Black	1.81	1.51	1.30	1.17
875-28A2025-0A2	28A2025-0A2	C	320	510	6.35	17.9	7.0	32.5	18.4	Black	1.86	1.55	1.33	1.20
875-28A2029-0A2	28A2029-0A2	C	250	420	9.91	21.77	10.0	32.84	21.84	Black	2.32	1.92	1.66	1.49
875-28A5131-0A2	28A5131-0A2	C	425	533	25.4	56.64	19.5	45	56.63	Black	18.58	15.40	13.28	11.95

ROUND AND CYLINDRICAL FERRITE EMI SUPPRESSION CORES

Features:

- Excellent common and differential mode EMI suppression
- For round cables and wire bundles
- Broadband performance
- Impedance value is NET impedance of the ferrite core only



RoHS Compliant

For quantities of 500 and up, call for quote.

MOUSER STOCK NO.	Steward Part No.	Fig.	Impedance @ 25MHz (Ω)	Impedance @ 100MHz (Ω)	Impedance @ 300MHz (Ω)	Dimensions (mm)			Price Each			
						A	B	C	1	10	50	100
875-28B0268-000	28B0268-000	D	65	138	260	6.78	3.99	14.22	.14	.12	.10	.09
875-28B0375-100	28B0375-100	D	74	154	282	9.53	5.08	10.41	.22	.17	.15	.13
875-28B0375-300	28B0375-300	D	100	194	310	9.53	5.08	19.05	.26	.20	.17	.15
875-28B0485-000	28B0485-000	D	170	320	450	12.32	4.88	25.4	.58	.45	.39	.35
875-28B0500-100	28B0500-100	D	33	83	200	12.7	7.92	6.35	.18	.14	.12	.11
875-28B0562-200	28B0562-200	D	177	317	470	14.27	6.35	28.58	.47	.39	.33	.30
875-28B0563-200	28B0563-200	D	149	287	406	14.27	7.26	28.57	.68	.53	.46	.41
875-28B0625-100	28B0625-100	D	150	280	400	15.88	7.87	28.58	.79	.61	.53	.48
875-28B0631-100	28B0631-100	D	124	243	370	16.0	9.25	28.0	.72	.56	.48	.44
875-28B0672-000	28B0672-000	D	130	245	360	17.07	8.76	25.4	1.02	.79	.72	.65
875-28B0686-000	28B0686-000	D	61	91	214	17.42	9.52	6.35	.28	.22	.19	.17
875-28B0686-100	28B0686-100	D	66	139	265	17.42	9.52	12.7	.81	.63	.57	.52
875-28B0686-200	28B0686-200	D	124	242	390	17.42	9.52	28.58	.81	.63	.55	.49
875-28B0734-000	28B0734-000	D	116	229	370	18.67	11.18	28.58	1.39	1.08	.98	.89
875-28B0735-000	28B0735-000	D	135	250	400	18.67	10.16	28.58	.94	.73	.63	.57
875-28B0870-100	28B0870-100	D	56	122	236	22.1	13.72	12.7	.63	.49	.42	.38
875-28B1000-000	28B1000-000	D	73	151	278	25.4	12.7	12.7	.83	.64	.55	.50
875-28B1020-100	28B1020-100	D	147	276	412	25.91	12.83	28.58	1.81	1.40	1.21	1.09
875-28B1122-100	28B1122-100	D	160	307	440	28.5	13.77	28.58	2.06	1.71	1.47	1.33
875-28B1142-000	28B1142-000	D	34	85	200	29.01	19.0	7.49	.59	.46	.40	.36

