

Type: ER4029

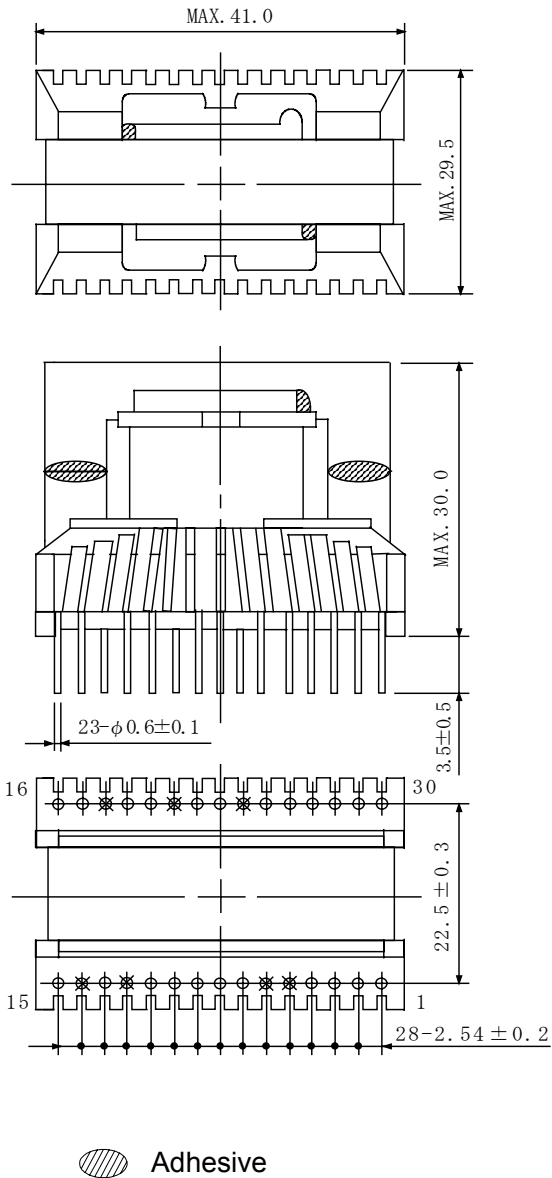
◆ **Product Description**

- 35.0×25.0mm Max.(L×W), 25.0mm Max. Height.
- In addition to the typical versions of parameters shown here, custom designs are available to meet your exact requirements

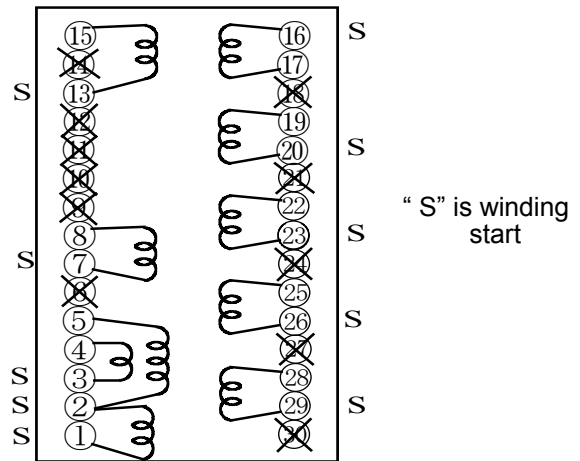
◆ **Feature**

- Max. Operating frequency 500kHz,Max. Operating Power 55.0W(500kHz).
- Ideally used in Switching regulator, EL inverter.
- RoHS Compliance

◆ **Dimensions (mm)**



◆ **Schematics (Bottom)**



◆ **Specification**

| | |
|--|----------------------|
| Sample NO. | 3344-T066 |
| Inductance (13-15)(at 1kHz) | 4.0mH±20% |
| D. C. R. (at 20℃) (13-15) | 1.70Ω (Ref.) |
| Hi-pot (50/60Hz) (13,15-3,4)/ (13,15-2,5)/ (13,15-1,2) | AC 3000V 1 Minute |
| Hi-pot (50/60Hz) (13,15-20,29)/ (13,15-23,22)/ (13,15-26,25) | AC 2500V 1 Minute |
| Hi-pot (50/60Hz) (13,15- 16,17) | AC 2000V 1 Minute |