

# SVETLANA TECHNICAL DATA

## 3CX800A7

### High-Mu Power Triode



The Svetlana™ 3CX800A7 is a high performance ceramic/metal high-mu power triode designed for use in communications and industrial service. The principal use is as Class AB<sub>2</sub>, Class B and Class C RF amplifiers.

The Svetlana 3CX800A7 may also be operated as a pulse modulator operating at maximum plate voltages to 4500 volts. Maximum plate current is 8 amps at a pulse duration of 100 microseconds.

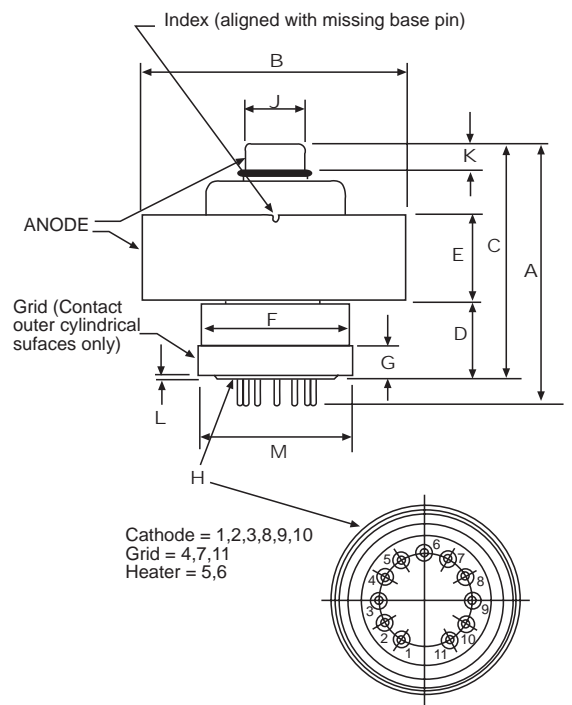
The Svetlana 3CX800A7 is a direct replacement for the model 3CX800A7 manufactured in the United States.

www.DataSheet4U.com

### Characteristics

Electrical	
Cathode	Oxide-coated unipotential
Heater Voltage (AC or DC)	13.5 ± 0.6 V
Heater Current @ 13.5V	1.5 A
Amplification factor (average)	200
Maximum Frequency for Full Ratings:	
CCS	350 MHz
ICAS	450 MHz
Interelectrode capacitances, with grid grounded:	
Input	26.0 pF
Output	6.1 pF
Plate-Cathode	0.05 pF
Mechanical	
Cooling	Forced air
Base	large 11 pin wafer (EIA E11-81)
Socket	11 pin E.F. Johnson #124-311-100
Anode Connector	Svetlana AC-1
Operating position-	any
Maximum dimensions:	
Diameter	64 mm (2.52 in.)
Length	67 mm ( 2.63 in)
Maximum operating temperature	250° C
Net weight (average)	.341 kg (0.75 lb.)
Maximum ratings	
DC plate voltage	2500 V
Maximum-signal DC plate current	600 mA
Plate Dissipation	800 W
Grid Dissipation	4.0 W
DC grid current	60 mA

### Svetlana Outline drawing



### Dimensional Data

Dim.	Millimeters		Inches	
	Min.	Max.	Min.	Max.
A	59.44	66.88	2.344	2.633
B	63.119	63.881	2.485	2.515
C	54.66	59.74	2.152	2.352
D	19.964	23.013	.786	.906
E	18.034	20.066	.710	.790
F	—	35.712	—	1.406
G	4.750	—	.187	—
H	BASE: E11-81 (EIA DESIGNATION)			
J	14.199	14.554	0.559	0.573
K	6.096	—	0.240	—
M	35.992	36.398	1.417	1.433



www.DataSheet4U.com

# Svetlana 3CX800A7 High-Mu Power Triode



Typical Operation, Class AB <sub>2</sub> , Grounded Grid	CW	SSB	
DC plate voltage	2200	2200	V
DC cathode voltage	+8.2	+8.2	V
Zero signal plate current	-	15	mA
Plate current	500	313*	mA
DC grid current	36	16	mA
Cathode input impedance	54	54	ohms
Power output	750	750	W
RF driving power	23	23**	W
Resonant load impedance	2700	2700	Ohms

\*Two tone    \*\*Peak

www.DataSheet4U.com

Cooling Air at 25°C				
Anode* Dissipation Watts	Sea Level		5,000 Feet	
	Air Flow CFM	Pressure Drop Inches of Water	Air Flow CFM	Pressure Drop Inches of Water
400	6	0.09	7	0.10
600	11	0.20	14	0.23
800	19	0.50	23	0.57

Note: When cooling air inlet temperature is raised to 50°C, flow rate must be increased approximately 40%.

