

.050" CENTER-TO-CENTER FOR .093" THICK DAUGHTER CARDS



PHYSICAL PROPERTIES

INSULATION RESISTANCE: 1000 megohms minimum
 MOTHERBOARD CONTACT RETENTION: 2lbs. min. per contact
 DAUGHTER CARD INSERTION FORCE: 6 oz. max. per contact pair
 MATING FORCE: 2 oz. per contact
 INSULATOR BODY: High Temp. Glass filled thermoplastic, UL rating 94V-O
 COLOR: Black
 SPRING CONTACT: High strength copper alloy
 CONTACT PLATING: Gold flash over paladium nickel

ELECTRICAL PROPERTIES

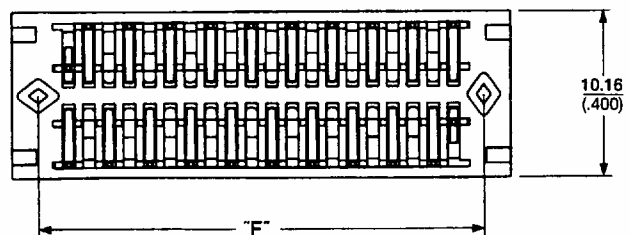
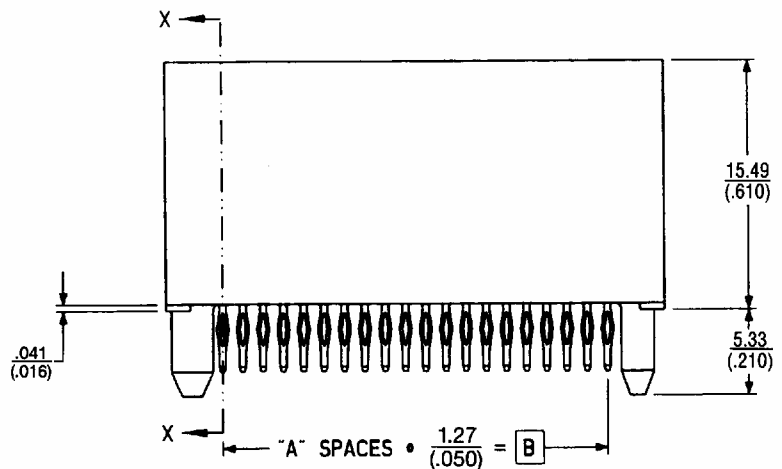
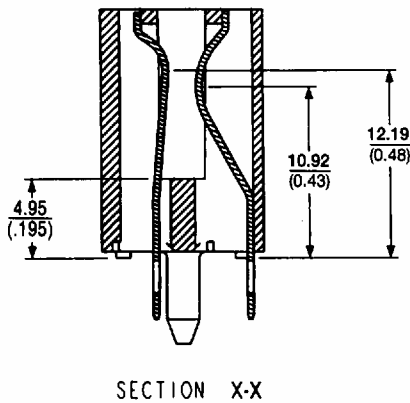
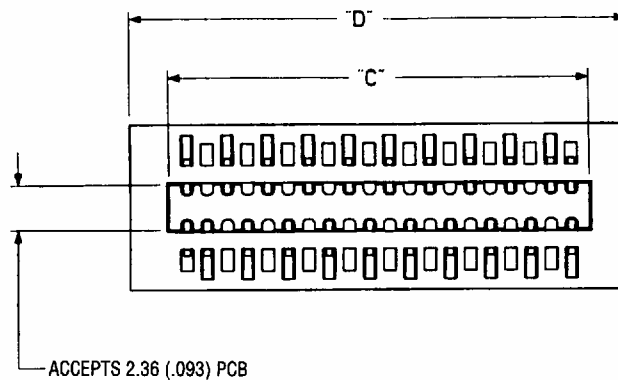
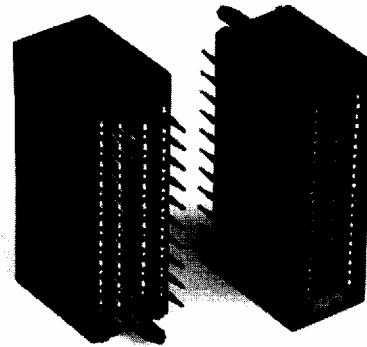
OPERATING VOLTAGE: 600 VDC (sea level)
 CURRENT RATING: 1.0 Ampere
 CONTACT RESISTANCE: 30 milliohms max.

ENVIRONMENTAL PROPERTIES

OPERATING TEMPERATURE: -55°C to +125°C
 TEMPERATURE LIFE: EIA QS-364-32B
 VIBRATION: EIA RS-364-17A

APPLICATION TOOLING

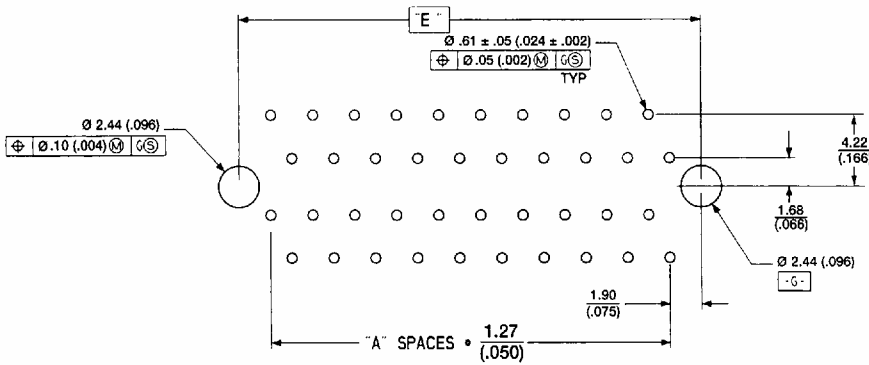
INSERTION TOOL: Cat. # 1605005, see page 420



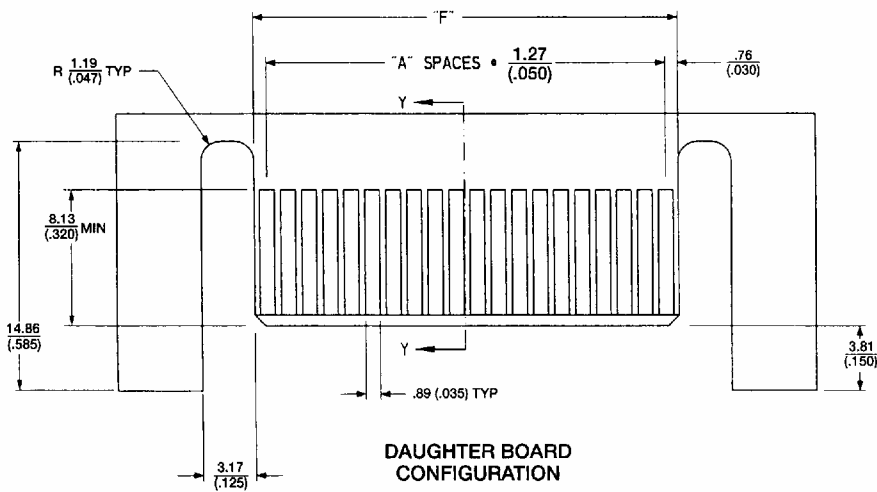
ORDERING INFORMATION -

.050" CENTER-TO-CENTER

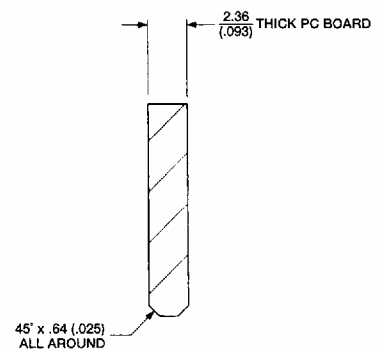
# OF DUAL READOUT POS.	CATALOG NUMBER	DIMENSIONS					
		A	B	C	D	E	F
20	F2D020PF60C	19	24.13 (0.950)	26.41 (1.040)	31.24 (1.230)	27.94 (1.100)	25.65 (1.010)
30	F2D030PF60C	29	36.83 (1.450)	39.11 (1.540)	43.94 (1.730)	40.63 (1.600)	38.35 (1.510)
40	F2D040PF60C	39	49.52 (1.950)	51.81 (2.040)	56.63 (2.230)	53.33 (2.100)	51.05 (2.010)
50	F2D050PF60C	49	62.22 (2.450)	64.51 (2.540)	69.33 (2.730)	66.03 (2.600)	63.75 (2.510)
60	F2D060PF60C	59	74.92 (2.950)	77.21 (3.040)	82.03 (3.230)	78.73 (3.100)	76.44 (3.010)
70	F2D070PF60C	69	87.62 (3.450)	89.90 (3.540)	94.73 (3.730)	91.43 (3.600)	89.14 (3.510)



CONNECTOR MOUNTING
PC HOLE PATTERN



DAUGHTER BOARD
CONFIGURATION



SECTION Y-Y

