



# 15A/14A/24A SERIES

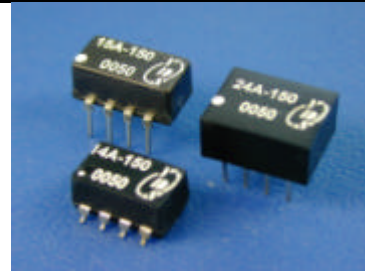
## 8 PIN LEADING & TRAILING TTL ACTIVE DELAY LINE

### FEATURES

- 8-PIN PACKAGE.
- 5EQUALLY-SPACED TAPS.
- TTL SCHOTTKY INTERFACED.
- TOTAL DELAYS FROM 25-1000nS.

### ELECTRICAL CHARACTERISTICS

IIH LOGIC"1" INPUT CURRENT	:50UA MAX
IIL LOGIC"0" INPUT CURRENT	:-2mA MAX
VOH LOGIC"1" OUTPUT VOLTAGE	:2.7V MIN
VOL LOGIC"0" OUTPUT VOLTAGE	:0.5V MAX
VIH LOGIC"1" INPUT VOLTAGE	:2.0V MIN
VIL LOGIC"0" INPUT VOLTAGE	:0.8V MAX
TA OPERATING TEMPERATYRE	:0 TO 70
NH FANOUT"1" OUTPUT	:20 TTL LOAD
NL FANOUT"0" OUTPUT	:10 TTL LOAD
SUPPLY CURRENT	:75mA TYP.



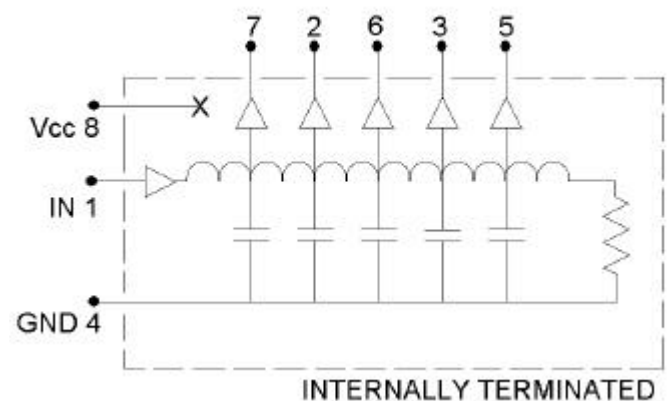
### INPUT PULSE TEST CONDITION

PULSE VOLTAGE	:3.2V
PULSE WIDTH	:50NS MIN. OR 100%TD
DUTY CYCLE	:<50%
PULSE RISE TIME	:2NS(0.75 TO 2.4V)
TIME DELAY MEASURED	:@1.5V IECEL
SUPPLY VOLTAGE VCC	:5.0 ±0.25VDC

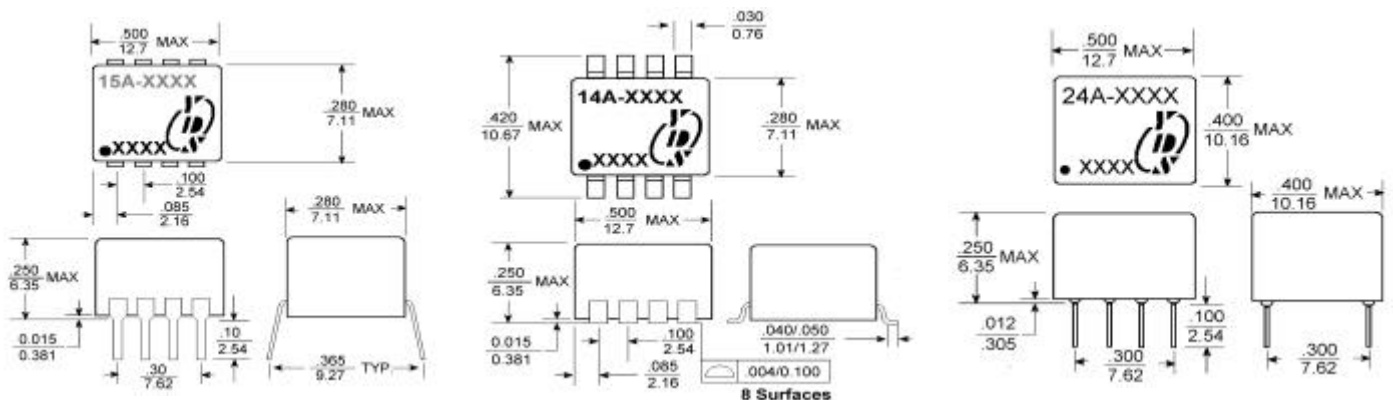
### ELECTRICAL SPECIFICATIONS

PART NO.	DELAY TIME Td(nS)	TAP DELAY (nS)	RISE TIME Tr(nS)max
15A/14A/24A-025	25 ±2	5 ±2	4
15A/14A/24A-050	50 ±5%	10 ±2	4
15A/14A/24A-075	75 ±5%	15 ±2	4
15A/14A/24A-100	100 ±5%	20 ±2	4
15A/14A/24A-150	150 ±5%	30 ±2	4
15A/14A/24A-200	200 ±5%	40 ±2	4
15A/14A/24A-250	250 ±5%	50 ±5%	4
15A/14A/24A-300	300 ±5%	60 ±5%	4
15A/14A/24A-500	500 ±5%	100 ±5%	4
15A/14A/24A-1000	1000 ±5%	200 ±5%	4

### PIN CONNECTIONS



### MARKINGS AND DIMENSIONS



Dimensions:inches/mm Unless otherwise specified, all tolerances are ±010/ ±0.25