

TRPGP40ATGC 12-mm Low-Frequency Glass-Encapsulated Transponder, CCT

1 Device Overview

1.1 Features

- Best-in-Class Performance Through Patented HDX Technology
- Patented Transponder Tuning Provides Stable and High Read Performance
- 80-Bit Customer-Configurable Transponder (CCT) Type
- Insensitive to Almost All Nonmetallic Materials

1.2 Applications

- Animal ID

1.3 Description

Texas Instruments' 12-mm low-frequency (LF) glass transponders provide superior performance and operate at a resonance frequency of 134.2 kHz. The products are compliant to ISO/IEC 11784 and ISO/IEC 11785 global open standards. Texas Instruments LF glass transponders are manufactured with TI's patented tuning process to provide consistent read performance. Before delivery, the transponders undergo complete functional and parametric testing to provide the high quality customers have come to expect from TI.

Device Information⁽¹⁾

PART NUMBER	PACKAGE	BODY SIZE (NOM) ⁽²⁾
TRPGP40ATGC	TGC (0)	2.12 mm x 12.0 mm

(1) For the most current device, package, and ordering information, see the Package Option Addendum in [Section 5](#), or see the TI web site at www.ti.com.

(2) The sizes shown here are approximations. For the package dimensions with tolerances, see the Mechanical Data in [Section 5](#).

[Figure 1-1](#) shows the transponder.



Figure 1-1. TRPGP40ATGC Transponder



Table of Contents

1 Device Overview	1	4 Device and Documentation Support	4
1.1 Features	1	4.1 Documentation Support	4
1.2 Applications	1	4.2 Community Resources	4
1.3 Description	1	4.3 Trademarks	4
2 Revision History	2	4.4 Electrostatic Discharge Caution	4
3 Specifications	3	4.5 Export Control Notice	4
3.1 Absolute Maximum Ratings	3	4.6 Glossary	4
3.2 Handling Ratings	3	5 Mechanical, Packaging, and Orderable	
3.3 Electrical Characteristics	3	Information	4

2 Revision History

DATE	REVISION	NOTES
August 2014	*	Initial Release

3 Specifications

3.1 Absolute Maximum Ratings

over operating free-air temperature range (unless otherwise noted)

		MIN	MAX	UNIT
T _A	Operating temperature range	-25	70	°C

3.2 Handling Ratings

		MIN	MAX	UNIT
T _{STG}	Storage temperature range	-40	85	°C

3.3 Electrical Characteristics

over operating free-air temperature range (unless otherwise noted)

PARAMETER	TRPGP40ATGC
Functionality	Not programmed
Memory (bits)	80
Memory (pages)	1
Resonance frequency	134.6 kHz
Modulation	FSK (frequency shift keying) 134.2 kHz and 124.2 kHz
Transmission principle	HDX (half duplex)
Power source	Powered from the reader signal (battery-less)
Typical reading range	≤60 cm ⁽¹⁾
Typical reading time	70 ms
Case material	Glass
Protection glass	Hermetically sealed
EMC	Programmed code is not affected by natural electromagnetic interference or x-rays
Signal penetration	Transponder can be read through almost all nonmetallic material
Mechanical shock	IEC 60068-2-32 free-fall drop test, 20 times from 1.5-m height
Dimensions	∅ 2.12 ± 0.05 mm x 12.0 ± 0.5 mm
Weight	0.10 g

(1) Depends on RF regulation in country of use, the reader antenna configuration used, and the environmental conditions.

4 Device and Documentation Support

4.1 Documentation Support

The following documents describe the TRPGR30ATGC device. Copies of these documents are available on the Internet at www.ti.com.

[SPAT178](#) *RFID Systems Product Specifications.* Texas Instruments Radio Frequency Identification Systems is an industry leader in RFID technology, and the world's largest integrated manufacturer of TI-RFid™ tags, TI-RFid smart labels, and TI-RFid reader systems. With more than 1 billion RFID tags manufactured, TI-RFid technology is used in a broad range of RFID applications worldwide. TI is an active member of many standards bodies, including ISO, ISO/IEC, ECMA International, ETSI, and several national standardization bodies working to drive the adoption of global standards for RFID technology.

[SPAT184](#) *12mm Glass Encapsulated HDX Transponders.* Product bulletin that provides an overview of the features of the glass encapsulated transponders from TI.

4.2 Community Resources

The following links connect to TI community resources. Linked contents are provided "AS IS" by the respective contributors. They do not constitute TI specifications and do not necessarily reflect TI's views; see TI's Terms of Use.

[TI E2E™ Online Community](#) *TI's Engineer-to-Engineer (E2E) Community.* Created to foster collaboration among engineers. At e2e.ti.com, you can ask questions, share knowledge, explore ideas and help solve problems with fellow engineers.

4.3 Trademarks

TI-RFid, E2E are trademarks of Texas Instruments.
All other trademarks are the property of their respective owners.

4.4 Electrostatic Discharge Caution



These devices have limited built-in ESD protection. The leads should be shorted together or the device placed in conductive foam during storage or handling to prevent electrostatic damage to the MOS gates.

4.5 Export Control Notice

Recipient agrees to not knowingly export or re-export, directly or indirectly, any product or technical data (as defined by the U.S., EU, and other Export Administration Regulations) including software, or any controlled product restricted by other applicable national regulations, received from Disclosing party under this Agreement, or any direct product of such technology, to any destination to which such export or re-export is restricted or prohibited by U.S. or other applicable laws, without obtaining prior authorization from U.S. Department of Commerce and other competent Government authorities to the extent required by those laws.

4.6 Glossary

[SLYZ022](#) — *TI Glossary.*

This glossary lists and explains terms, acronyms, and definitions.

5 Mechanical, Packaging, and Orderable Information

The following pages include mechanical packaging and orderable information. This information is the most current data available for the designated devices. This data is subject to change without notice and revision of this document. For browser-based versions of this data sheet, refer to the left-hand navigation.

PACKAGING INFORMATION

Orderable Device	Status (1)	Package Type	Package Drawing	Pins	Package Qty	Eco Plan (2)	Lead finish/ Ball material (6)	MSL Peak Temp (3)	Op Temp (°C)	Device Marking (4/5)	Samples
TRPGP40ATGC	ACTIVE	RFIDT	TGC	0	2000	RoHS & Non-Green	Call TI	N / A for Pkg Type	-25 to 70		Samples

(1) The marketing status values are defined as follows:

ACTIVE: Product device recommended for new designs.

LIFEBUY: TI has announced that the device will be discontinued, and a lifetime-buy period is in effect.

NRND: Not recommended for new designs. Device is in production to support existing customers, but TI does not recommend using this part in a new design.

PREVIEW: Device has been announced but is not in production. Samples may or may not be available.

OBSOLETE: TI has discontinued the production of the device.

(2) **RoHS:** TI defines "RoHS" to mean semiconductor products that are compliant with the current EU RoHS requirements for all 10 RoHS substances, including the requirement that RoHS substance do not exceed 0.1% by weight in homogeneous materials. Where designed to be soldered at high temperatures, "RoHS" products are suitable for use in specified lead-free processes. TI may reference these types of products as "Pb-Free".

RoHS Exempt: TI defines "RoHS Exempt" to mean products that contain lead but are compliant with EU RoHS pursuant to a specific EU RoHS exemption.

Green: TI defines "Green" to mean the content of Chlorine (Cl) and Bromine (Br) based flame retardants meet JS709B low halogen requirements of <=100ppm threshold. Antimony trioxide based flame retardants must also meet the <=1000ppm threshold requirement.

(3) MSL, Peak Temp. - The Moisture Sensitivity Level rating according to the JEDEC industry standard classifications, and peak solder temperature.

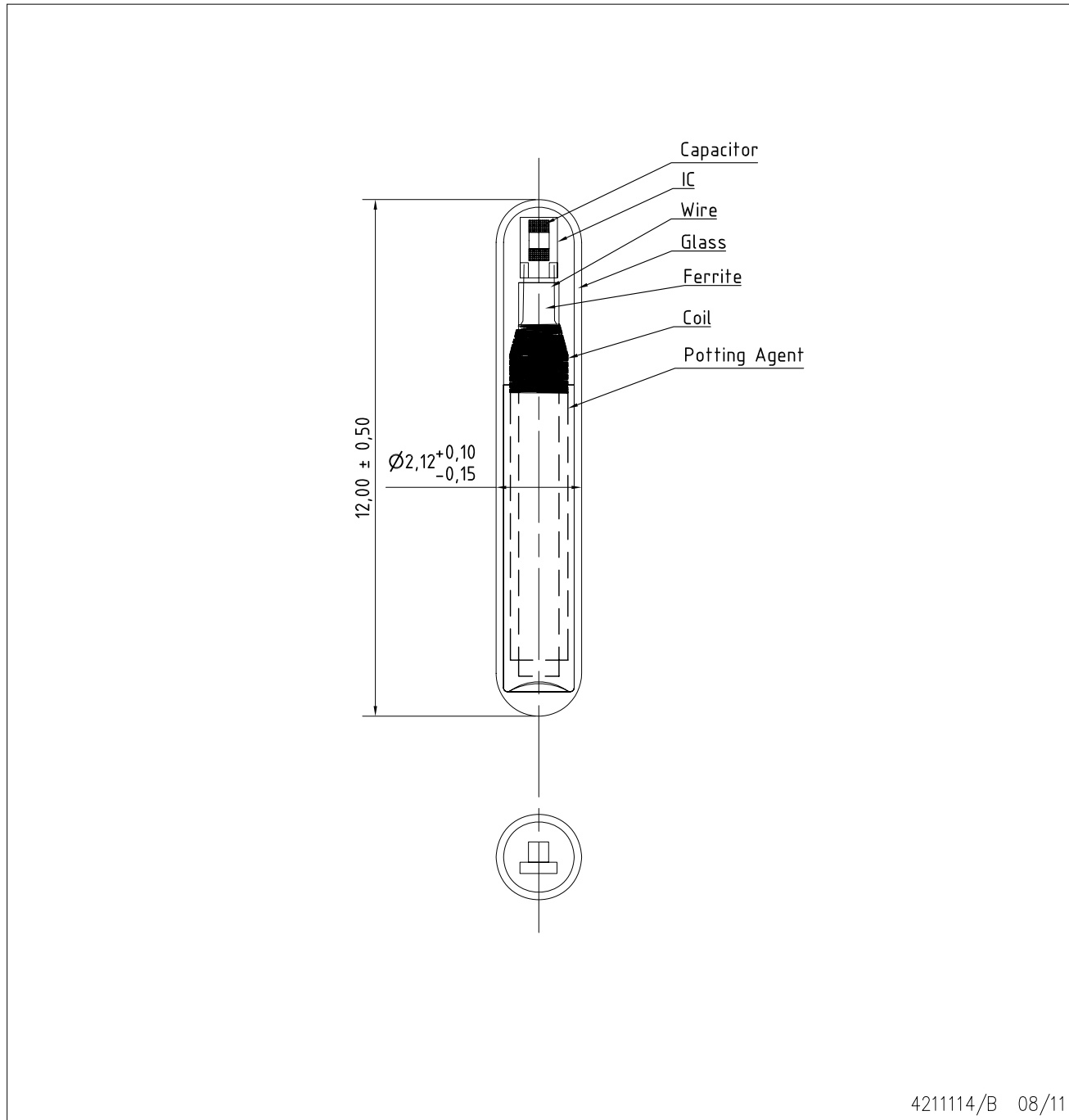
(4) There may be additional marking, which relates to the logo, the lot trace code information, or the environmental category on the device.

(5) Multiple Device Markings will be inside parentheses. Only one Device Marking contained in parentheses and separated by a "~" will appear on a device. If a line is indented then it is a continuation of the previous line and the two combined represent the entire Device Marking for that device.

(6) Lead finish/Ball material - Orderable Devices may have multiple material finish options. Finish options are separated by a vertical ruled line. Lead finish/Ball material values may wrap to two lines if the finish value exceeds the maximum column width.

Important Information and Disclaimer:The information provided on this page represents TI's knowledge and belief as of the date that it is provided. TI bases its knowledge and belief on information provided by third parties, and makes no representation or warranty as to the accuracy of such information. Efforts are underway to better integrate information from third parties. TI has taken and continues to take reasonable steps to provide representative and accurate information but may not have conducted destructive testing or chemical analysis on incoming materials and chemicals. TI and TI suppliers consider certain information to be proprietary, and thus CAS numbers and other limited information may not be available for release.

In no event shall TI's liability arising out of such information exceed the total purchase price of the TI part(s) at issue in this document sold by TI to Customer on an annual basis.



- NOTES:
- A. All linear dimensions are in millimeters. Dimensioning and tolerancing per ASME Y14.5-1994.
 - B. This drawing is subject to change without notice.
 - C. HDX+ 12mm glass TRP MCU-RF with capacitor on Die

IMPORTANT NOTICE AND DISCLAIMER

TI PROVIDES TECHNICAL AND RELIABILITY DATA (INCLUDING DATA SHEETS), DESIGN RESOURCES (INCLUDING REFERENCE DESIGNS), APPLICATION OR OTHER DESIGN ADVICE, WEB TOOLS, SAFETY INFORMATION, AND OTHER RESOURCES "AS IS" AND WITH ALL FAULTS, AND DISCLAIMS ALL WARRANTIES, EXPRESS AND IMPLIED, INCLUDING WITHOUT LIMITATION ANY IMPLIED WARRANTIES OF MERCHANTABILITY, FITNESS FOR A PARTICULAR PURPOSE OR NON-INFRINGEMENT OF THIRD PARTY INTELLECTUAL PROPERTY RIGHTS.

These resources are intended for skilled developers designing with TI products. You are solely responsible for (1) selecting the appropriate TI products for your application, (2) designing, validating and testing your application, and (3) ensuring your application meets applicable standards, and any other safety, security, regulatory or other requirements.

These resources are subject to change without notice. TI grants you permission to use these resources only for development of an application that uses the TI products described in the resource. Other reproduction and display of these resources is prohibited. No license is granted to any other TI intellectual property right or to any third party intellectual property right. TI disclaims responsibility for, and you will fully indemnify TI and its representatives against, any claims, damages, costs, losses, and liabilities arising out of your use of these resources.

TI's products are provided subject to [TI's Terms of Sale](#) or other applicable terms available either on [ti.com](https://www.ti.com) or provided in conjunction with such TI products. TI's provision of these resources does not expand or otherwise alter TI's applicable warranties or warranty disclaimers for TI products.

TI objects to and rejects any additional or different terms you may have proposed.

Mailing Address: Texas Instruments, Post Office Box 655303, Dallas, Texas 75265
Copyright © 2023, Texas Instruments Incorporated